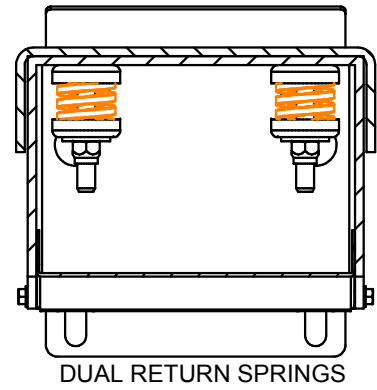


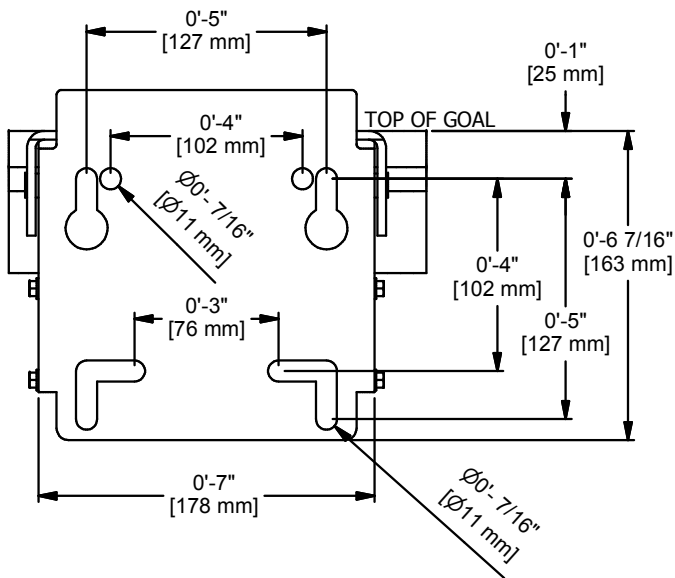
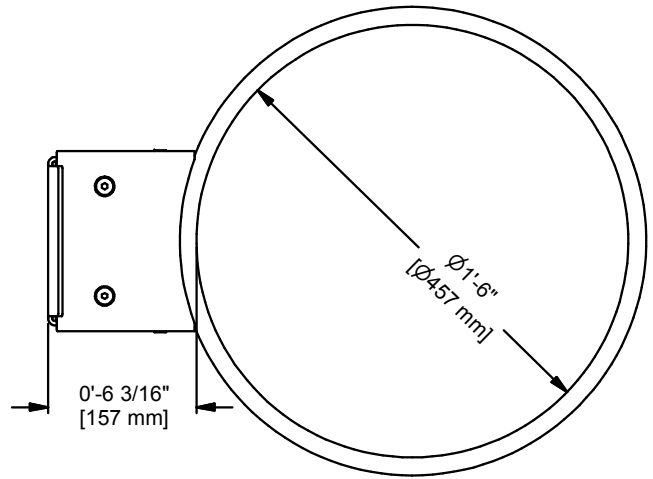
FULL WRAP WING BRACE



DUAL RETURN SPRINGS

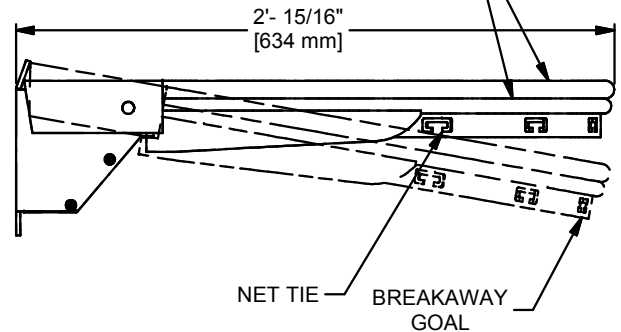
FINISH IS OFFICIAL ORANGE POWDER COAT

GOAL IS SUPPLIED WITH ANTI-WHIP NYLON NET AND MOUNTING HARDWARE



GOAL PLATE VIEW

Ø 3/4" [19.0] UPPER STEEL RING
Ø 5/8" [16.0] LOWER STEEL RING



NET TIE — BREAKAWAY GOAL



Gared Holdings, LLC
9200 E. 146th St. Noblesville, IN 46060

THIS DOCUMENT CONTAINS TRADE SECRET AND OTHER MATERIALS WHICH ARE PROTECTED BY CONFIDENTIALITY NOTICE AND AGREEMENT AND BY COPYRIGHT. ANY USE OR COPYING OF THIS DOCUMENT EXCEPT AS AUTHORIZED BY GARED HOLDINGS, LLC IS STRICTLY PROHIBITED.

ENDURANCE COMPETITION BREAKAWAY GOAL

DRAWN	CROSBY	DATE	10/2/2019	DATE ISSUED
APPROVED		DATE		

FILE LOC. Q:\Inventor Files\Specification Files\08_Goals

SIZE	SCALE	SHT. NO.	PART NO.	REV
A	NONE	1 OF 2	8800	B

B	WDC	10-02-19
REV	BY	DATE



MODEL 8800

ENDURANCE BREAK-AWAY GOAL

The 8800 goal shall be constructed with a unique stack spring construction for true rebound consistency. Goal shall double in degrees according to the applied pressure. Goal shall have an official sized 18" ring of 3/4" diameter steel with a secondary lower ring of 5/8" diameter steel and shall be supported by a continuous welded wrap around brace. Goal shall meet NCAA and high school requirements.

Goal shall have a continuous no tie net attachment and orange powder coated finish. Nylon net and hardware shall be included. Universal goal mounting plate will fit hole patterns for most 42" and 48" rectangular backboards and most fan-shaped backboards.

ACCESSORIES

BACKBOARDS

See Goal-Board Matrix specification sheet for board compatibility.

Subject to design change and current manufacturing practices.