



ROGGEERS
For the Perfection of Football Fundamentals™

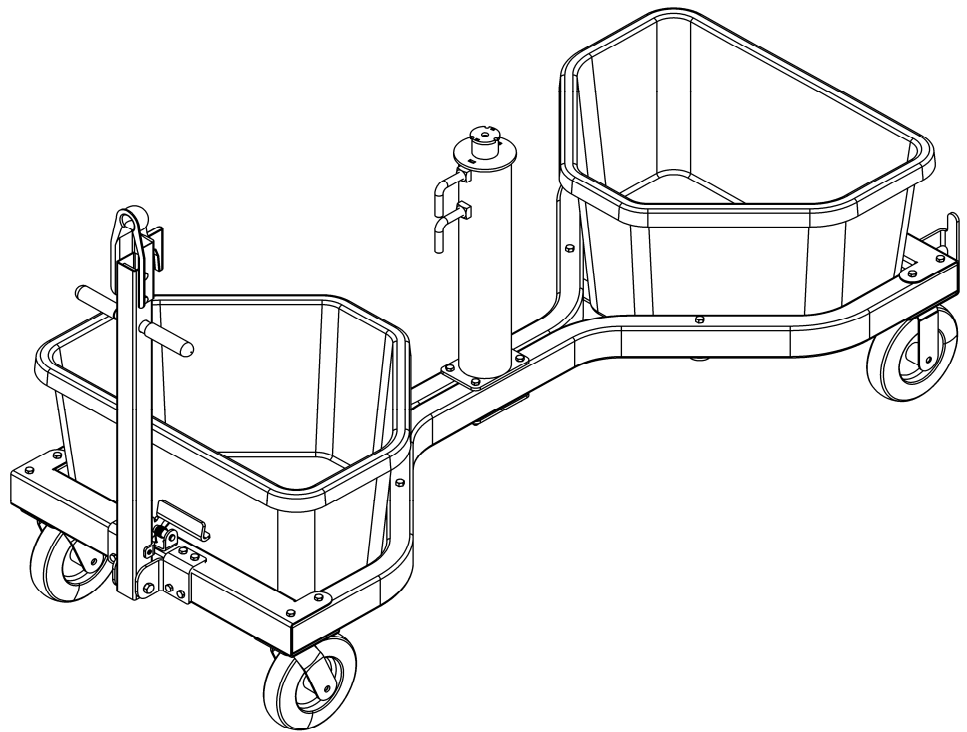
PRODUCT INFORMATION PACKET

PRODUCT NAME: JUGS CART

PRODUCT PART NUMBER: 410550 JUGS CART

405206 ADDITIONAL BALL BIN

407993 ADDITIONAL CART PLATFORM



*Shown with optional Additional Ball Bin Part #405206

KEEP INFORMATION PACKET FOR FUTURE REFERENCE

TABLE OF CONTENTS

- Introduction.....1
- General Safety Rules.....2
- Symbols.....3
- Technical Specifications.....4
- Operating Instructions.....5
- Maintenance.....7
- Customer Service Information.....7

INTRODUCTION

The Rogers Athletic Jugs Cart has been designed and manufactured with safety, performance and dependability as top priorities, making it easy to operate and maintain.

The care you give your Jugs Cart will greatly determine your satisfaction with its performance and service life. Careful study of this manual is encouraged to obtain a thorough understanding of your new Jugs Cart and its functions.

If your manual is lost or destroyed, Rogers Athletic will gladly provide you with a new copy. Should you require additional information or assistance, please feel free to contact us at 800-457-5337.

BECAUSE ROGERS ATHLETICS MAINTAINS AN ONGOING PROGRAM OF
PRODUCT DEVELOPMENT AND IMPROVEMENT, WE RESERVE THE RIGHT
TO MAKE IMPROVEMENTS IN DESIGN OR CHANGES IN SPECIFICATIONS
WITHOUT INCURRING ANY OBLIGATIONS TO INSTALL THEM ON UNITS
PREVIOUSLY SOLD.

GENERAL SAFETY RULES



WARNING!

READ AND UNDERSTAND ALL INSTRUCTIONS.







Failure to follow all instructions listed below may result in serious personal injury.

SAVE THESE INSTRUCTIONS

- **Supervision of athletes while using the equipment is recommended.** Horse play such as climbing on the machine or using the machine for unintended purpose can result in injuries.
- **Athletes should be oriented in the proper use of the equipment.**
- **Athletes should be properly fit to engage in a workout regimen.** Obtaining a medical exam prior to beginning any training program is recommended. If an athlete feels faint, dizzy, or experiences pain at any time while exercising, they should stop exercising and consult a physician.
- **Inspect equipment prior to use.** DO NOT use if it appears damaged or inoperable.
- **This Product Information Packet is an integral part of this machine.** Save these instructions. If they are lost or damaged or if you would like another copy, a copy can be downloaded from www.RogersAthletic.com
- **Reading the Product Information Packet is recommended.** Failure to read this Packet is considered a misuse of this equipment.
- **Warning labels are an integral part of this equipment.** Become familiar with all caution/warning labels and never cover or deface caution/warning labels.
- **Deploy the equipment allowing sufficient room for safe access to the machine, adequate room for the coaches to stand and to ensure that the machine or players do not collide with a wall, another machine, or other players through the entire training exercise.**
- **When not in use, store this equipment in a secure controlled area.** Unsupervised and/or inappropriate use of this equipment could result in serious injury.
- **Keep body and clothing free from and clear of all moving parts.**
- **The Jugs Cart is for Off – Road use only.** The cart is intended to be used at practice/game fields. Do not attempt to haul cart on main road ways.
- **Do not haul Jugs Cart at speeds exceeding 5 mph.** Hauling at excessive speed may cause the cart to lose control thereby causing an accident or serious injury.
- **Do not ride on the Jugs Cart.** The cart is intended to haul equipment only. Failure to adhere by this rule can cause serious personal injury.

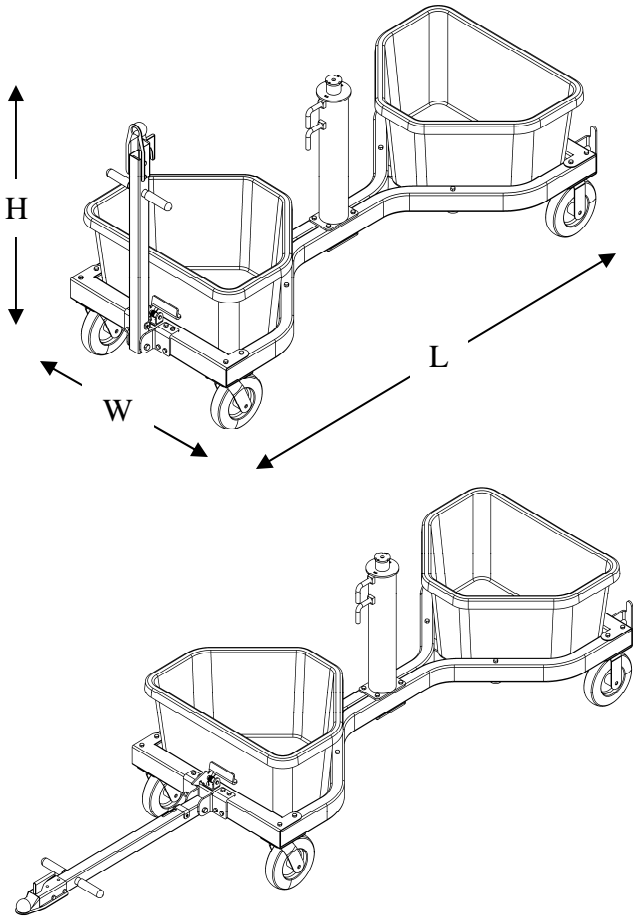
- **Do not climb on the Jugs Cart or Generator Platform add-on.** The cart is not a toy and should not be played on.
- **Set brakes on the Jugs Cart when left unattended.**
- **Stay clear of all pinch points.**

SYMBOLS

	<p>Safety Alert: Precautions that involve your safety</p>
 <p>Store in secure area. Inappropriate use of this equipment could result in serious injury.</p>	<p>Store this equipment in a secure, controlled area: Unsupervised and/or inappropriate use of this equipment could result in serious injury.</p>
 <p>CAUTION Pinch Point. Keep Hands And Fingers Clear</p>	<p>Pinch Point Warning Label: Failure to keep hands away from pinch points will result in personal injury</p>
 <p>CAUTION Avoid Injury. Do not climb.</p>	<p>Do Not Climb Warning Label: To reduce risk of injury, do not climb on field equipment</p>
 <p>CAUTION Off-Road Use Only</p>	<p>For Off-Road Use Only Warning Label: Field equipment is not intended or designated for roadway travel</p>
 <p>CAUTION Do Not Exceed 5 mph</p>	<p>Hauling Speed Warning Label: Do not exceed 5 mph when hauling field equipment.</p>

ROGERS ATHLETIC FIELD EQUIPMENT SPECIFICATIONS

JUGS CART (PART #410550)



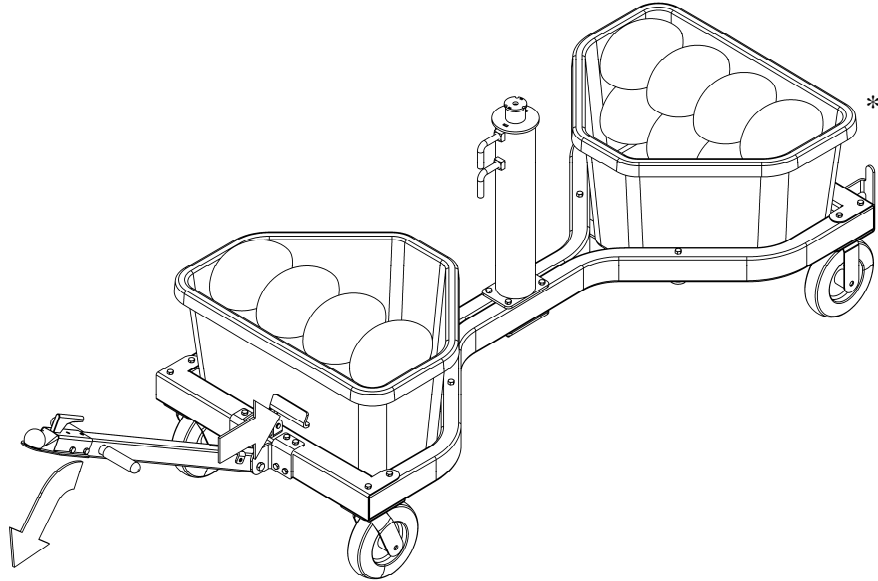
Weight: 177 lbs
Height: 47" with hitch up
Length: 77.5" with hitch up
Width: 30" each

- Design allows turret head to swivel 360° and has locking positions to diversify the receiving drills by aiming the ball to different locations.
- User friendly hitch locking mechanism allows for quick and easy positioning of the hitch tube from the down position to the up position.
- GripWorks® "Softex" grips for greater grip and comfort is on the handles for manual pulling of the cart.
- Four-eight inch pneumatic casters for ease of transportation over the roughest terrain.
- Large and durable bucket for easy use and storage of balls. Cart comes with one bucket; additional football bucket available. (Additional bucket shown in picture)
- Bucket is removable allowing for easy cleaning
- Cord brackets for easy use and storage of extension cords. (Cord not included)
- Cart can be maneuvered manually or with a hitched vehicle.
- Additional add-on generator platform weighs approximately 19 lbs.

Construction, Finish, and Hardware

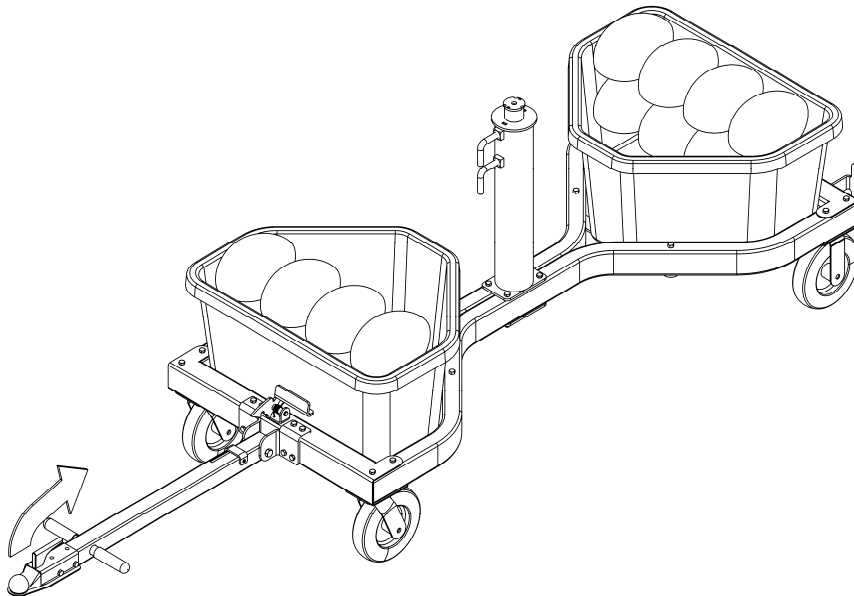
- Constructed of ASTM specified steel.
- Baked-on powder coat finish.
- GripWorks® "Softex" grip material or equivalent.
- Non-marking pneumatic casters.
- Zinc-plated hardware.
- High density polyethylene bucket.
- Polyurea coated cord brackets and hitch latch

1



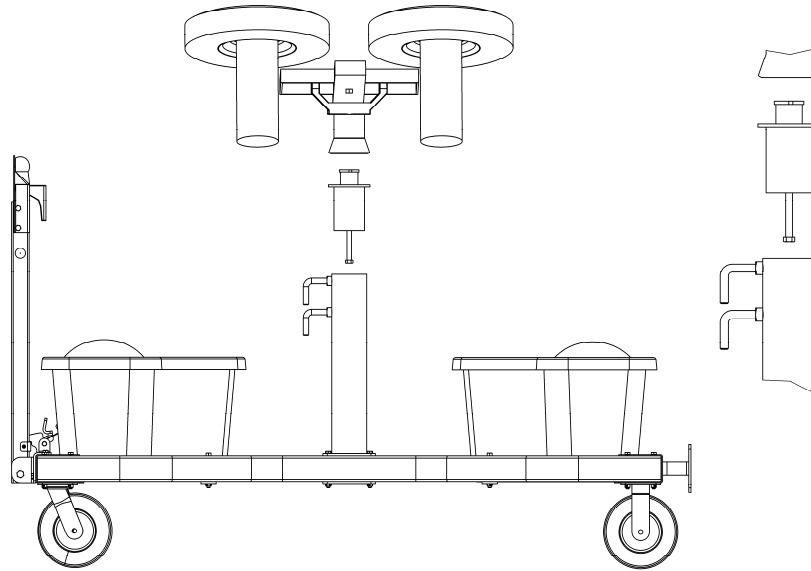
To unlock the hitch from the upright/locked position, disengage the locking mechanism by depressing the hitch latch. This allows the hitch tube to be placed down in its hauling position so it can be moved manually or with a hitched vehicle. *Additional football bucket available as shown.

2



Raising the hitch tube back up will cause it to automatically lock in the upright position for storage.

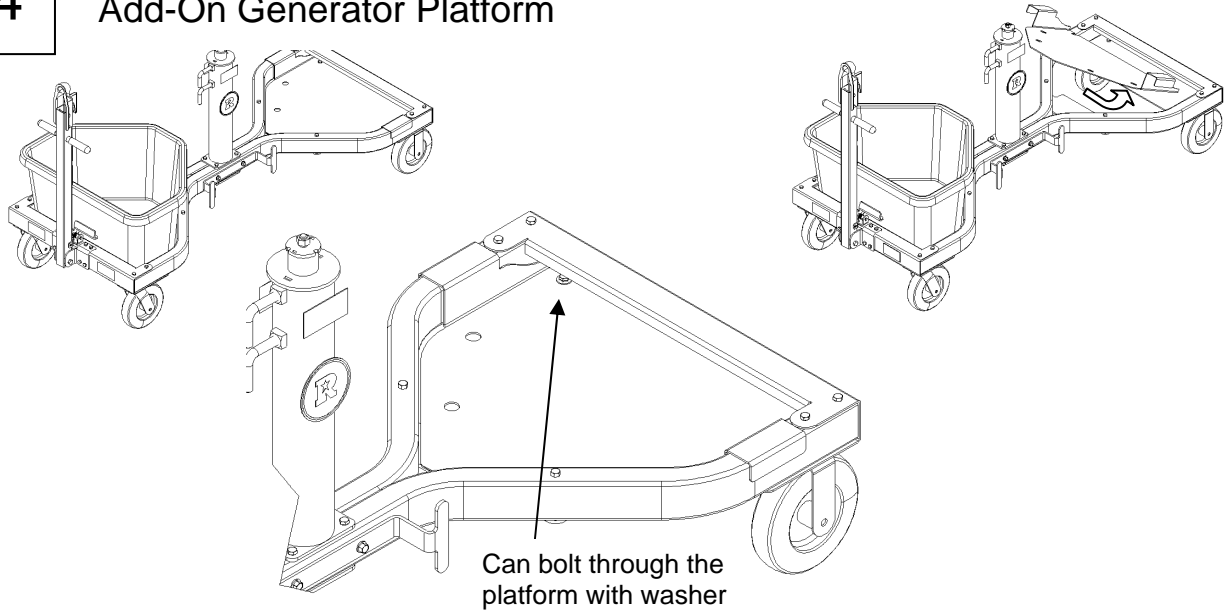
3



To place the Jugs Machine (sold separately) onto the cart, first attach the turret adaptor to the Jugs machine with (1) 1/2" x 3" bolt and (1) 1/2" lock nut. Place the assembly into the turret tube and lock down its position by tightening the L-Bolts on the side of the tube. Engage the caster brakes once cart is positioned.

4

Add-On Generator Platform



Similar to the additional ball bin, another add-on product to the Jugs Cart is the Rogers Jugs Cart Generator Platform which sets into place around the bolts and can hold other equipment. User can bolt into place with washer using existing fasteners. This add on component is sold separately.

MAINTENANCE



WARNING!

READ AND UNDERSTAND ALL MAINTENANCE PROCEDURES.

Failure to follow all procedures listed below may cause serious injury and a decrease in the equipments functional existence.

- **Check and maintain air pressure in tires monthly.** Failure to do so could result in improper handling of the field equipment thus causing an accident or serious injury. Reference tire side wall for recommended air pressure.
- **Frequently check to see that all bolts are securely fastened.**
- **Field equipment should be washed periodically with soapy water to maintain original surface finish.**
- **Frequently check trailer hitch coupler for proper locking.** Failure to do so could result in serious injury or accident.
- **Touch up paint can be used to cover any scratches or blemishes sustained through use.**
- **A silicone based lubricant may be used on moving parts to maintain proper function.**
- **Replace any damaged equipment with genuine Rogers Athletic parts.** Failure to do so may result in unsafe equipment and/or personal injury.

CUSTOMER SERVICE

For parts or service contact Rogers Athletic Company. When ordering parts be sure to provide all relevant information available including the name and part number of the equipment purchased. This information is located on the cover of this product information package. Customer service hours are Monday through Friday from 8:00 a.m. to 5:00 p.m. Eastern Standard Time. Customers can phone (989) 386-2950 or toll free at 1-800-457-5337 toll free at (888) 549-9659 or mail:

Rogers Athletic Company
3760 W. Ludington Drive
Farwell, Michigan 48622

Rogers Athletic Company
3760 N. Ludington Drive
Farwell, MI 48622
www.rogersathletic.com
(989) 386-2950
(800) 457-5337
Fax toll free (888) 549-9659