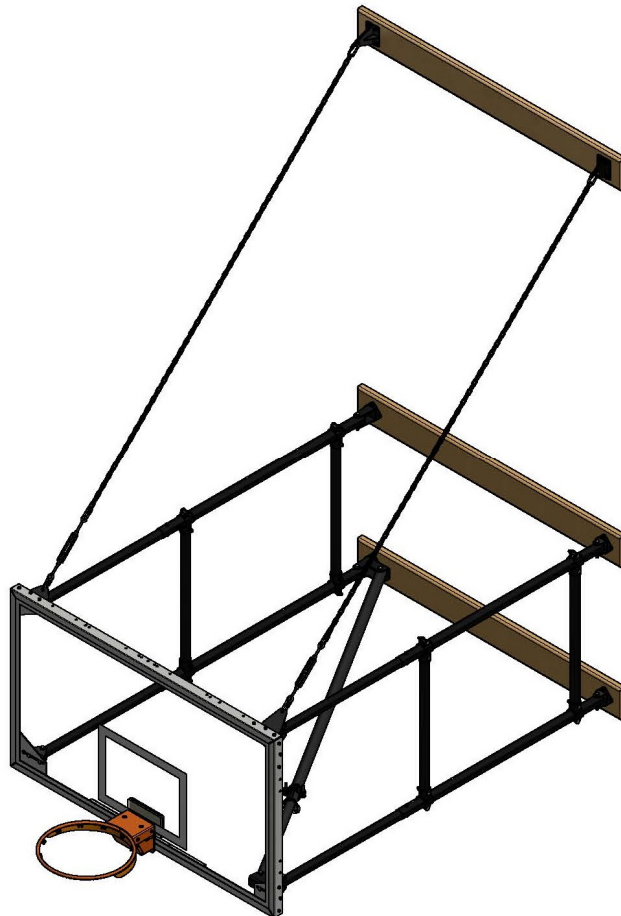




SIDE FOLD WALL MOUNT

Models: 2500



Operation and Maintenance Instructions

.....

Please read all instructions before attempting operation of these units

.....

SAVE THESE INSTRUCTIONS FOR FUTURE USE



Table of Contents

<u>Section</u>	<u>Page No.</u>
Introduction	1
Parts List	2
Installation Instructions	3-18
Unit Operation	19
Maintenance	21

Introduction

Thank you for your purchase of a Model 2500 Side Folding Wall Mount Backstop. To ensure that our equipment will provide years of use to you, we are including this operation, and maintenance guide. This guide will provide information on the proper operating procedures, and preventative maintenance of your gymnasium side folding wall mount backstop.

Do not make substitutions for any factory parts. If any parts are missing, do not substitute non-factory parts. Please contact your authorized dealer or manufacturer if any parts are missing or damaged.

It is recommended that an individual who has been properly trained perform operation of the side folding wall mount backstop. No one under the age of 18 should operate the backstop, unless properly supervised.

To prevent normal wear and tear from shortening the life of the backstop, preventative maintenance inspections and repairs should be performed at least once per year. If the backstop is subject to high or unusual usage, inspections should be scheduled to occur more frequently. If items are found to be nonconforming, replacements can be ordered from an authorized dealer. When contacting your dealer, please have information regarding the name of the project, and any applicable warranty information.

Please note that manufacturer assumes no responsibility for the building structure to support its products. We believe it is the responsibility of the building designers to determine the correct structure size to support our products. We will provide your structural engineers with all required weight and loading information for the project in order for them to calculate the appropriate structure.



SIDE FOLD WALL MOUNT



2500 WALL MOUNT PARTS LIST

			4060	4064	6090	6094	9120	9124
ITEM	PART NUMBER	DESCRIPTION	QTY	QTY	QTY	QTY	QTY	QTY
1	504151591	WOOD PAD, 3.5" HC, 48" (NARROW)	2		2		2	
	504151590	WOOD PAD, 3.5" HC, 72" (WIDE)		2		2		2
2	504156224	WOOD PAD, TOP 48" (NARROW)	1		1		1	
	504156223	WOOD PAD, TOP 72" (WIDE)		1		1		1
3	504151601	HINGE WELDMENT, WOOD PAD LONG	1	1	1	1	1	1
4	504151600	HINGE WELDMENT, WOOD PAD SHORT	2	2	2	2	2	2
5	504151655	PIPE WELDMENT, FU. OUTER, 4-6 FT (36.25")	4	4				
	504151656	PIPE WELDMENT, FU. OUTER, 6-9 FT (55")			4	4		
	504151657	PIPE WELDMENT, FU. OUTER, 9-12 FT (78")					4	4
6	504151652	PIPE, FU. INNER, 4-6 FT (35.5")	4	4				
	504151653	PIPE, FU. INNER, 6-9 FT (58")			4	4		
	504151654	PIPE, FU. INNER, 9-12 FT (74")					4	4
7	504151706	BUSHING, FOLDING UNITS .500 X .625	20	20	20	20	20	20
8	504156219	BRKT, CHAIN SHORT WOOD BUCK	2	2	2	2	2	2
9	504156220	BRKT WLDMT, CHAIN LONG WOOD PAD	1	1	1	1	1	1
10	1113-30-00	5/16" QUICK LINK	6	6	6	6	6	6
11	1045-30-00	CHAIN, 5/0 STRAIGHT COIL - ZINC	10 ft	10 ft	17 ft	17 ft	24 ft	24 ft
12	7011-11-00	3/8" TURNBUCKLE	2	2	2	2	2	2
13	504155262	HINGE, SIDEFOLD SHORT	2	2	2	2	2	2
14	504151523	HINGE WELDMENT, DIAGONAL WOOD PAD	1	1	1	1	1	1
15	504156218	PLATE, SHORT BOARD BRACKET	2	2	2	2	2	2
16	504151526	PLATE, LONG BOARD BRACKET						
17	504155263	HINGE, SIDEFOLD LONG	1	1	1	1	1	1
18	504151522	BRKT, BOARD HINGE/DIAGONAL	1	1	1	1	1	1
19	504152687	OUTER SLIDE TUBE A 46"	1					
	504152689	OUTER SLIDE TUBE B 64"		1	1			
	504152691	OUTER SLIDE TUBE C 79"				1		
	504152693	OUTER SLIDE TUBE D 96"					1	
	504152695	OUTER SLIDE TUBE E 107"						1
20	504152686	INNER SLIDE TUBE A 48"	1					
	504152688	INNER SLIDE TUBE B 66"		1	1			
	504152690	INNER SLIDE TUBE C 81"				1		
	504152692	INNER SLIDE TUBE D 98"					1	
	504152694	INNER SLIDE TUBE E 109"						1
21	1030-02-08	LOCKING CLAMP, SIDE FOLD WALL MOUNT	1	1	1	1	1	1
22	5042-02-00	MUFFLER CLAMP, 1-7/8" I.D.	1	1	1	1	1	1
23	1116-02-08	#116 TEE CLAMP	8	8	8	8	8	8
24	501651854	SPACER BUSHING, 2-1/8 X 2-3/8	16	16	16	16	16	16
25	504154091	TUBE, SIDE FOLD BRACE (NARROW 17.5")	4		4		4	
	504152663	TUBE, SIDE FOLD BRACE (WIDE 33.5")		4		4		4
26	501-6-16-32	BOLT, CARRIAGE 3/8-16 UNC X 2	16	16	16	16	16	16
27	101651056	WASHER, 3/8 SQ X 1.38 OD X .120	16	16	16	16	16	16
28	502-6-16-40	HEX BOLT, 3/8-16 UNC X 2.5	4	4	4	4	4	4
29	502-8-13-56	HEX BOLT, 1/2-13 UNC X 3.5	10	10	10	10	10	10
30	548-6-16	HEX NUT, SERRATED FLANGE 3/8-16	28	28	28	28	28	28
31	545-8-13	HEX NUT, NYLON LOCK 1/2-13	10	10	10	10	10	10
32	502-6-16-20	HEX BOLT, 3/8-16 UNC X 1.25	8	8	8	8	8	8
33	561-6	FLAT WASHER 3/8	8	8	8	8	8	8
34	501-6-16-20	BOLT, CARRIAGE 3/8-16 UNC X 1.25	8	8	8	8	8	8
35	512-6-16-6	SET SCREW, FLAT PT 3/8-16 X 3/8"	4	4	4	4	4	4
36	501756261	MANUAL, 2500 SIDE FOLD. WALL MOUNT	1	1	1	1	1	1



SIDE FOLD WALL MOUNT



ITEM	PART NUMBER	DESCRIPTION	4060	4064	6090	6094	9120	9124
40	5741	MTG KIT, AAG TO WM 63" (WIDE FRAME)		1		1		1
	5742	MTG KIT, AAG TO WM 35" (NARROW FRAME)	1		1		1	
41	4404	MTG KIT, 63X36 RECT BOARD TO AAG		1		1		1
	4405	MTG KIT, 35X20 FAN TO AAG	1		1		1	

Optional accessories: 9120-11-08 Crank Extension Arm

Locate, identify, and count all parts before starting the installation to ensure that all are correct and correspond to the packing list/production drawings. If any parts are missing or damaged, DO NOT SUBSTITUTE. Contact your authorized dealer or the manufacturer for assistance in obtaining the correct part.

Also review production drawings to ensure that building conditions have not changed since the initial field check. Verify overall height and width noted on drawings.

INSTALLATION PREPARATION

Before installing a wall mounted backstop unit, it is imperative the structural integrity of the wall has been evaluated and approved by an architect or structural engineer for the loads that will be imparted to the wall by the backstop.

The best wall construction for use with wall mounted backstops is concrete masonry units

(CMU) or solid concrete panel. Further, through bolting of the wood pads to the wall is the recommended method of attachment. However, when through bolting is not possible, the anchors used must be of a type that will provide at least 5 times the load listed for the anchor point of the unit. All anchors, including through bolts, must be minimum 1/2" diameter and at least SAE Grade 5 equivalent material.

Mounting the wall mounted backstop to a wood or metal stud structure is not recommended or approved by the manufacturer unless the structure has been reinforced as specifically designed by an architect or structural engineer for the desired wall mounted unit.

Please refer to the load charts on the following page for information concerning the specific unit being installed.

⚠ WARNING

Unit must only be installed on walls approved for its rated loads by architect or structural engineer.
Failure to attach to approved wall structure can cause unit to fall resulting in serious injury or death.

⚠ WARNING

Use only anchors rated for minimum of 5 times wall loads listed for the unit.
Incorrect anchors can fail causing unit to fall resulting in damage and serious injury or death.

⚠ CAUTION

Upper chain anchors must be installed on same wall surface as frame hinge wood bucks.
Unit will not fold correctly if upper chain attachments are not directly in line with hinge pivot points.
Point loads may be exceeded resulting in chain anchor points failing and damaging the unit or causing serious injury or death.

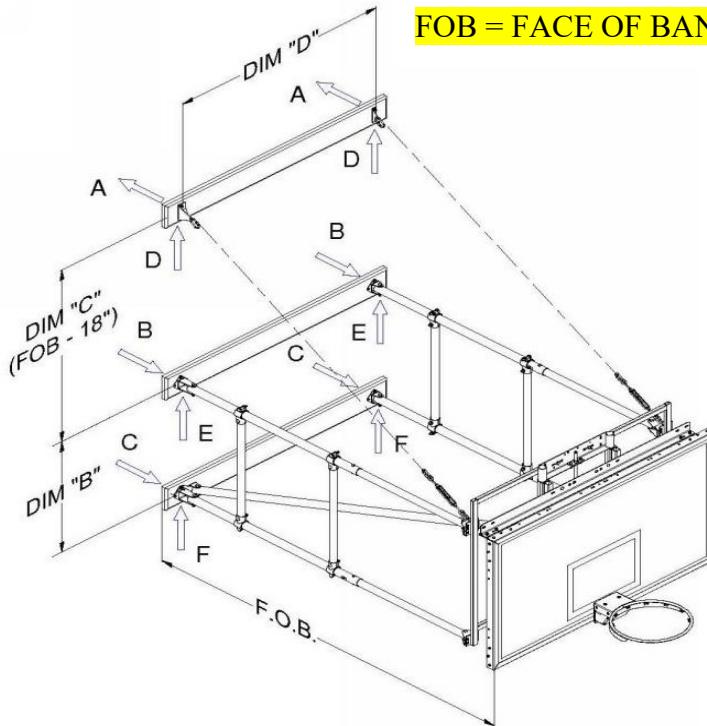
UNIT LOADING INFORMATION

2500 WALL MOUNT LOADS r4.3

2500 WALL MOUNT, W/O HEIGHT ADJUSTER, MODEL	2500-4060 <small>(fan mount)</small>	2500-4064	2500-6090 <small>(fan mount)</small>	2500-6094	2500-9120 <small>(fan mount)</small>	2500-9124
FACE OF BANK (FOB) (ft-in)	4'-0" to 6'-0"	4'-0" to 6'-0"	6'-0" to 9'-0"	6'-0" to 9'-0"	9'-0" to 12'-0"	9'-0" to 12'-0"
DIM 'B' (in)	20	36	20	36	20	36
DIM 'C' (in)	FOB minus 18"	FOB minus 18"	FOB minus 18"	FOB minus 18"	FOB minus 18"	FOB minus 18"
DIM 'D' (in)	35	63	35	63	35	63
Unit Weight (lbs)	323	323	353	353	378	378
STATIC & DYNAMIC						
Force A (lbs)	460	460	432	432	423	423
Force B (lbs)	17	214	-11	186	-20	177
Force C (lbs)	508	311	508	311	508	311
Force D (lbs)	369	369	377	377	384	384
Force E (lbs)	17	17	20	20	23	23
Force F (lbs)	17	17	20	20	23	23

2500 WALL MOUNT, W/ HEIGHT ADJUSTER, MODEL	2500-4060A <small>(fan mount)</small>	2500-4064A	2500-6090A <small>(fan mount)</small>	2500-6094A	2500-9120A <small>(fan mount)</small>	2500-9124A
FACE OF BANK (FOB) (ft-in)	4'-8" to 6'-8"	4'-8" to 6'-8"	6'-8" to 9'-8"	6'-8" to 9'-8"	9'-8" to 12'-8"	9'-8" to 12'-8"
DIM 'B' (in)	20	36	20	36	20	36
DIM 'C' (in)	FOB minus 18"	FOB minus 18"	FOB minus 18"	FOB minus 18"	FOB minus 18"	FOB minus 18"
DIM 'D' (in)	35	63	35	63	35	63
Unit Weight (lbs)	453	453	483	483	509	509
STATIC & DYNAMIC						
Force A (lbs)	464	464	462	462	461	461
Force B (lbs)	-38	185	-40	183	-41	182
Force C (lbs)	567	344	567	344	67	344
Force D (lbs)	439	439	447	447	450	450
Force E (lbs)	14	14	18	18	23	23
Force F (lbs)	14	14	18	18	23	23

FOB = FACE OF BANK/ BACKBOARD



Dynamic loads include a 500 lb dunk load applied on front of goal at 15° from vertical.

Contact manufacturer for loads on custom units or when Dim "C" varies from the FOB minus 18" standard.



SIDE FOLD WALL MOUNT



TOOLS REQUIRED

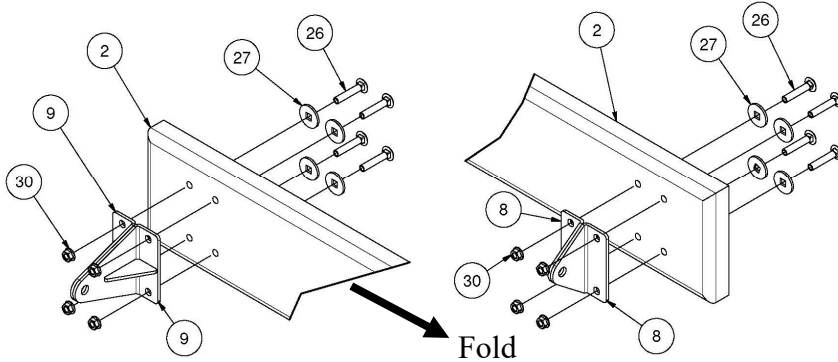
- Plumb Bob or Laser Level
- Electric Drill
- Drill bits – 7/16”, 9/16”, 5/8”
- Hammer
- Wrenches – 1/2”, 9/16”, 11/16, and 3/4”
- Ratchet Wrenches with 1/2”, 9/16”, 11/16, and 3/4” sockets
- File
- 4’ Level
- 25’ Tape measure
- Duct Tape
- Block of wood (for tapping)
- Broom
- Shop-Vac
- Utility Knife
- Extra rope or chain
- Torque Wrench
- Scissor Lift or Scaffolding

RECOMMENDED BOLT TORQUE				
Bolt Size	Wrench Size	In-Lbs	Ft-Lbs	Nm
1/4"	7/16"	66 to 90	5.5 to 7.5	8 to 10
5/16"	1/2"	132 to 180	11 to 15	15 to 20
3/8"	9/16"	234 to 318	19.5 to 26.5	27 to 36
7/16"	11/16"		31 to 42.5	43 to 58
1/2"	3/4"		47 to 65	64 to 88
9/16"	7/8"		68 to 90	93 to 122
5/8"	15/16"		94 to 130	128 to 176
3/4"	1-1/8"		166 to 230	226 to 312
7/8"	1-5/16"		269 to 372	365 to 504
1"	1-1/2"		402 to 566	546 to 767

INSTALLATION

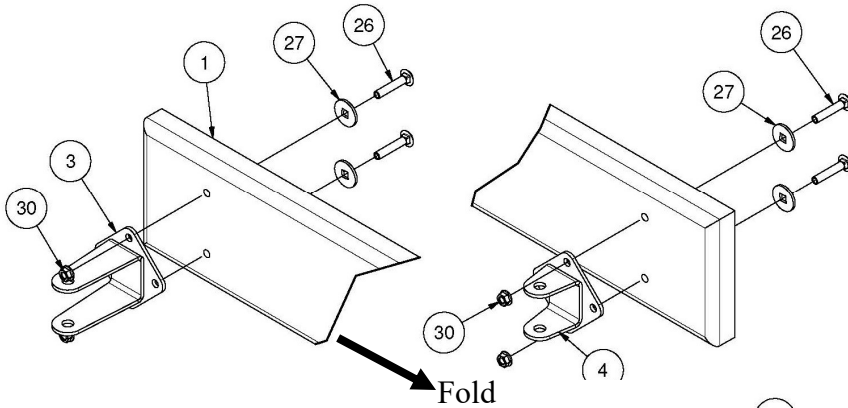
Installation instructions below are general in nature. Your exact installation needs to follow the parts and any specific instruction included in your specific project's production drawings.

1. Before installing the wood pads on the wall, you must first preassemble the hinge brackets and chain brackets onto the wood bucks.



⚠ CAUTION
<p>Install flat washer under head of carriage bolt.</p> <p>Without washer the carriage bolt may pull through the wood if the bolt is over torqued resulting in failure of the attachment.</p> <p style="text-align: right;">124151566</p>

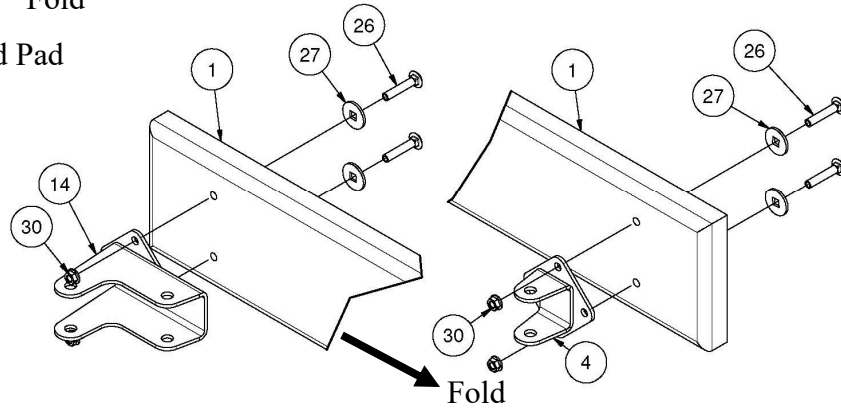
2. Install the chain support brackets onto the top wood pad using the hardware shown in the above illustration. Note the shorter chain support is installed on the end of the wood pad in the direction of fold of the backstop.



⚠ CAUTION
<p>Install flat washer under head of carriage bolt.</p> <p>Without washer the carriage bolt may pull through the wood if the bolt is over torqued resulting in failure of the attachment.</p> <p style="text-align: right;">124151566</p>

Center Wood Pad

Lower Wood Pad



3. Install the hinge brackets on the center and lower wood pad using the hardware shown in the above illustrations. Note the shorter hinge bracket is installed on the end of the wood pad in the direction of fold of the backstop.
4. The wood pads are now ready to be installed onto the wall.

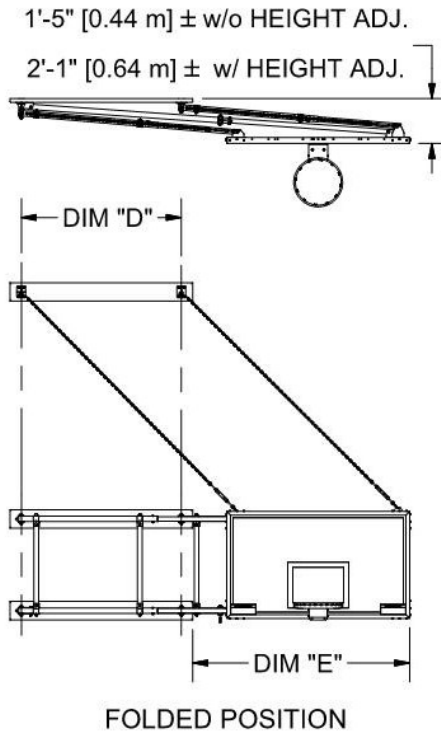
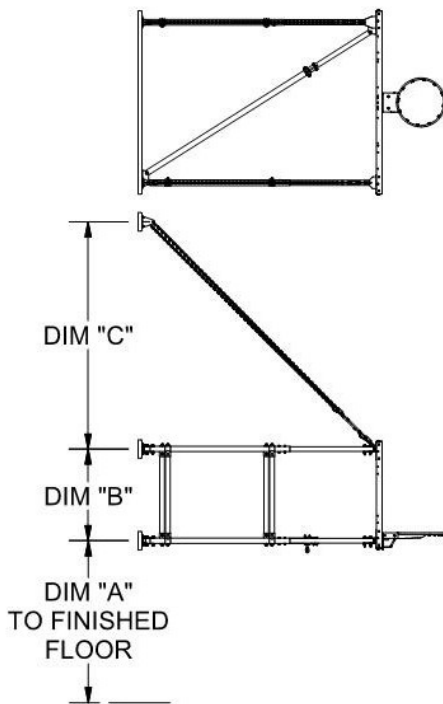
WOOD PAD LOCATIONS

Always refer to specific dimensions outlined in the production drawings shipped for the specific project. Dimensions of the specific project may vary from the dimensions outlined below.

UNITS INSTALLED WITH OR WITHOUT HEIGHT ADJUSTER			
	DIM "A"	DIM "B"	DIM "D"
RECT. STYLE MOUNTING BACKBOARDS			
LXP4200	9'-9 1/8" [2.97 m]	36" [0.91 m]	63" [1.60 m]
AFRG42	9'-9 1/8" [2.97 m]	36" [0.91 m]	63" [1.60 m]
1442B	9'-7 3/4" [2.94 m]	36" [0.91 m]	63" [1.60 m]
AFRG48	9'-2 3/4" [2.81 m]	42" [1.07 m]	63" [1.60 m]
RG	9'-2 3/4" [2.81 m]	42" [1.07 m]	63" [1.60 m]
BOARD INSTALLED WITH HEIGHT ADJ.			
AFRG48	9'-7 1/8" [2.92 m]	36" [0.91 m]	63" [1.60 m]
RG	9'-7 1/8" [2.92 m]	36" [0.91 m]	63" [1.60 m]

ALL UNITS	
DIM "C"	FOB minus 18"
DIM "E"	FOB minus 17"

	DIM "A"	DIM "B"	DIM "D"
FAN STYLE MOUNTING BACKBOARDS			
1301B	10'-1 5/8" [3.09 m]	20" [0.51 m]	35" [0.89 m]
1342B	10'-1 5/8" [3.09 m]	20" [0.51 m]	35" [0.89 m]
1750B	9'-9 1/2" [2.98 m]	20" [0.51 m]	35" [0.89 m]
1245T	9'-9 3/4" [2.99 m]	20" [0.51 m]	35" [0.89 m]
1272B	10'-0 1/2" [3.06 m]	20" [0.51 m]	35" [0.89 m]
3050RG	10'-1 7/16" [3.09 m]	20" [0.51 m]	35" [0.89 m]



The upper wood pad with the chain anchors must be mounted in the same plane as the two frame mounting wood pads. If the upper wood pad is not on the same wall plane as the lower pads, the unit will not fold correctly or at all.

Contact the manufacturer if there is a wall condition that does not allow the wood pads for the chain anchors to be in the same plane as the frame pads.

⚠ CAUTION

Upper chain anchors must be installed on same wall surface as frame hinge wood bucks.

Unit will not fold correctly if upper chain attachments are not directly in line with hinge pivot points.

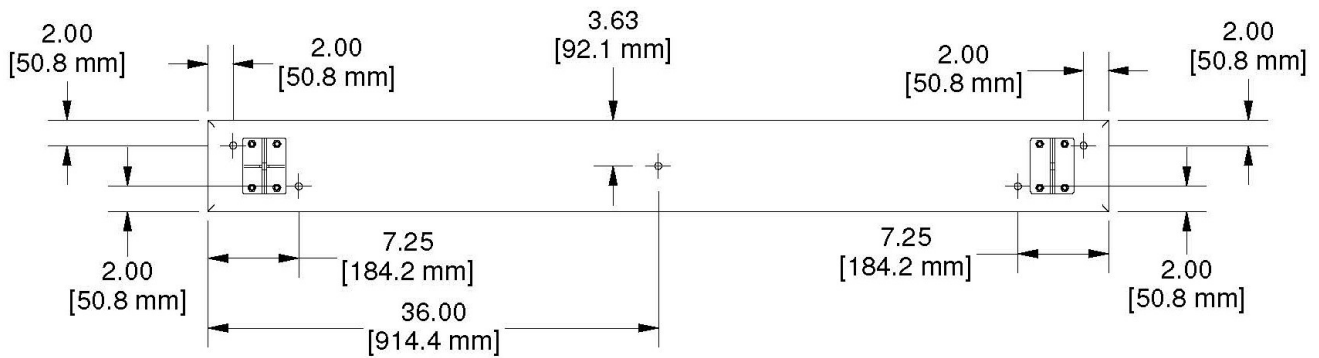
Point loads may be exceeded resulting in chain anchor points failing and damaging the unit or causing serious injury or death.

WOOD PAD WALL ATTACHMENT

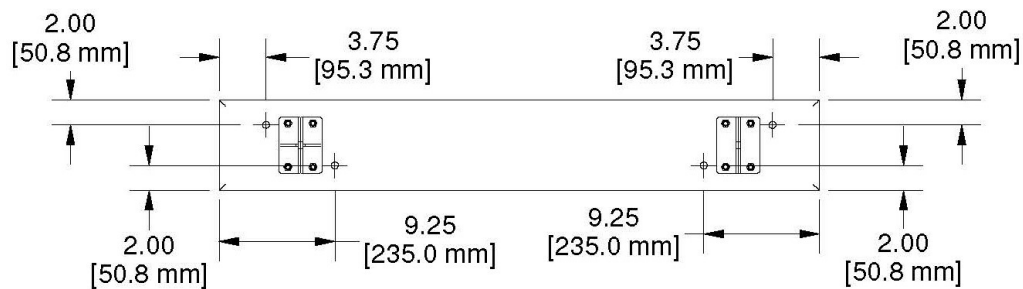
When attaching the wood pads to the wall, it is important to place the anchors in a location that will not reduce the strength of the wood. Anchors should be ½” diameter and the holes in the wood pads should be no larger than 9/16” in diameter. The centerline of the holes should not be closer than 2” from the edge or end of the wood pads.

Refer to the illustration below for the recommended locations of the anchors on the wood pads.

Be sure the direction of fold is correct.



72 " WOOD PAD



48 " WOOD PAD

⚠ WARNING

Centerline of anchor holes shall be no closer than 2.0" to the edge or end of wood buck.
Wood buck may fail causing unit to fall resulting in damage to unit and/or serious injury or death.

⚠ WARNING

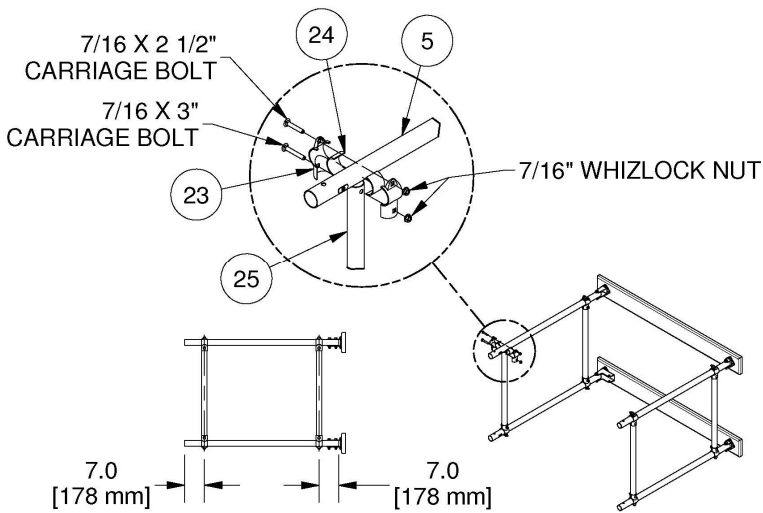
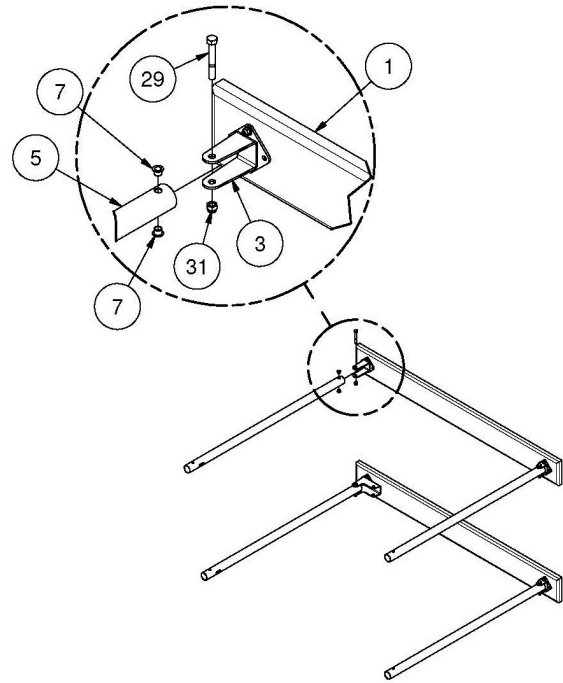
Use only anchors rated for minimum of 5 times wall loads listed for the unit.
Incorrect anchors can fail causing unit to fall resulting in damage and serious injury or death.

Install the outer pipe weldments to the hinge points on the lower two wood pads. Install the bushings (Item 7) into both sides of the pipe before installing the pipe into the hinge bracket.

Once the pipe has been installed into the hinge bracket and the 1/2" x 3 1/2" bolt is installed, add the 1/2" nylon lock nut and tighten until the nut just engages the hinge bracket.

Do not overtighten the nut as this will cause binding and excessive wear on the bushings and the outer tube.

The attachment is the same for all four pipes. However, the hinge brackets will be different from side to side and top to bottom.



Install the vertical brace tubes on each side of the unit.

Note: the 7/16" carriage bolts and 7/16" whiz lock nuts are supplied with item 23 and are not listed in the parts list.

Insert the spacer bushings onto the extension tube and fit the clamp halves over the bushings. Line up the hole in the clamp with the hole in the vertical brace tube.

Install the carriage bolts and whiz lock nuts.

Locate the vertical brace tubes as shown in the above illustration. Tighten the clamp bolts on the clamp halves securely and torque to value shown in the recommended bolt torque chart.

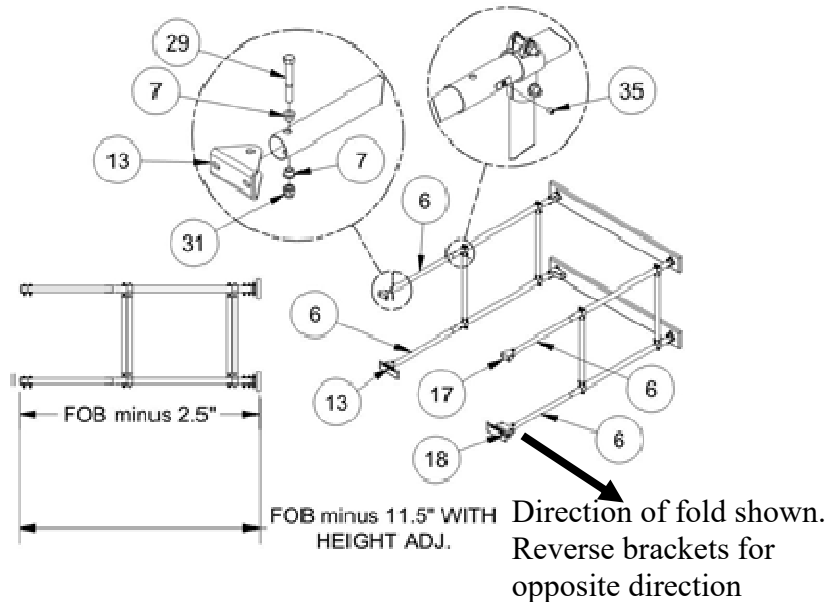
Slide the inner extension pipes into the outer extension pipes.

Install a flange bushing (Item 7) on each side of the inner extension tubes.

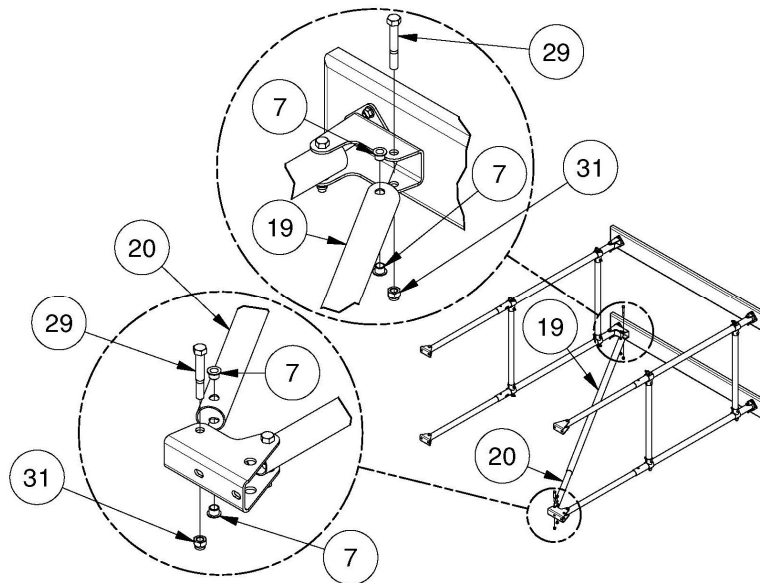
Install the hinge brackets onto each inner pipe and See illustration at left for proper location of the different hinge brackets.

Install the 1/2" x 3 1/2" bolt and add the 1/2" nylon lock nut and tighten until the nut just engages the hinge bracket.

Note: Do not overtighten the nut as this will cause binding and excessive wear on the bushings and the inner tube.



Slide the extension tube until the distance from the wall to the face of the hinge bracket is equal to the FOB minus 2.5" or FOB minus 11.5" when a height adjuster is to be used. Install the set screw (Item 35) into the outer extension screw and lightly tighten the set screw.



Install the flange bushings on either side of the outer slide tube. Insert the slide tube into the hinge bracket.

Install the 1/2" x 3 1/2" bolt and add the 1/2" nylon lock nut and tighten until the nut just engages the hinge bracket.

Do not overtighten the nut as this will cause binding and excessive wear on the bushings and the outer tube.

Slide the inner slide tube into the outer slide tube.

Install the flange bushings on either side of the outer slide tube. Insert the

slide tube into the hinge bracket. Install the 1/2" x 3 1/2" bolt and add the 1/2" nylon lock nut and tighten until the nut just engages the hinge bracket.

Note: Do not overtighten the nut as this will cause binding and excessive wear on the bushings and the outer tube.

**FOR UNITS WITHOUT HEIGHT ADJUSTER CONTINUE TO PAGE 11
FOR UNITS WITH HEIGHT ADJUSTER PROCEED TO PAGE 13**

INSTALLING THE BACKBOARD WITHOUT A HEIGHT ADJUSTER

Install the 50 chains on each side of the unit. Attach the chain to the upper chain supports with the 5/16" quick links. Make sure the links are fully closed and tightened.

⚠ CAUTION

Fully close and tighten Quick Link. Loose or open Quick Link may fail and cause serious damage to unit. 124151565

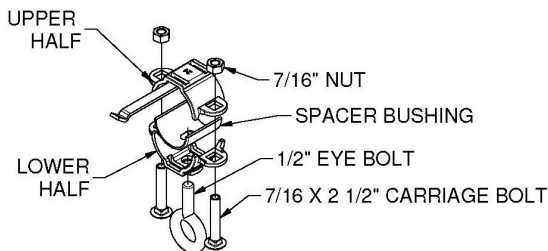
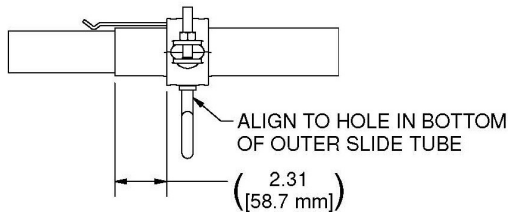
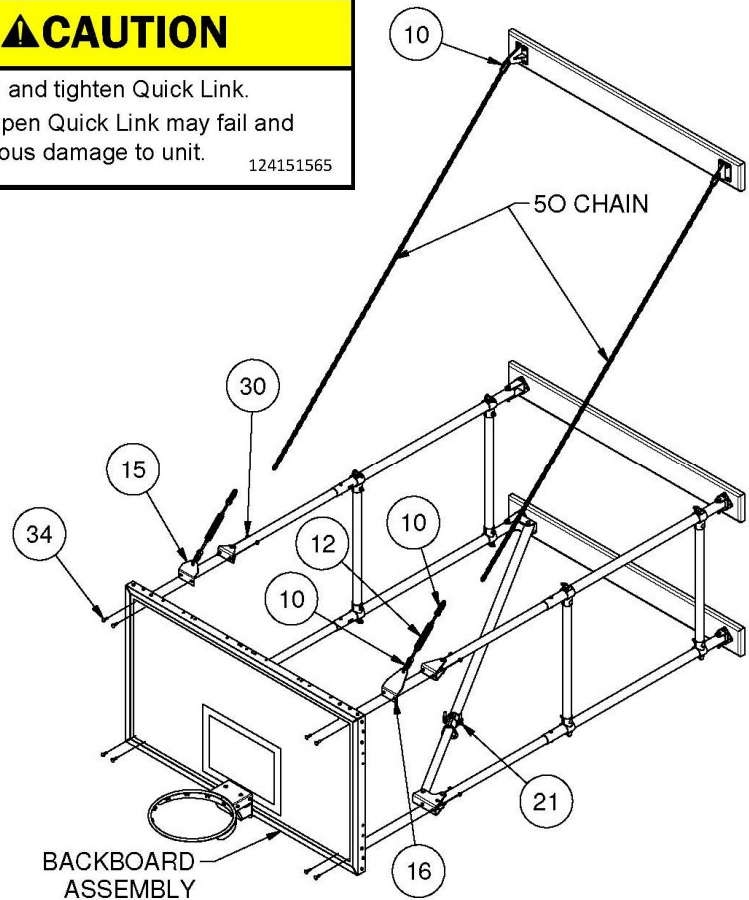
Square each side of the frame to the wall and support the outer portion of the extension arms with the scissor lift or scaffolding.

Attach the back board to the board hinge mounts using the appropriate board mounting hardware. Make sure the chain attach brackets are between the upper board mounting point and the upper hinge bracket.

Note: a glass board and carriage bolt hardware are shown. Other style of board may require different hardware.

Attach the turnbuckle to the chain attach plate with a 5/16" quick link. Attach the loose end of the chain to the turnbuckle using a quick link.

Tighten the turn buckle by hand putting only a light tension on the chain. **DO NOT** fully tighten at this time. The turnbuckles will need to be readjusted later.



ITEM 21
LOCKING CLAMP ASSEMBLY

PARTS SUPPLIED TOGETHER AND ARE NOT LISTED IN PARTS LIST

Install the locking clamp onto the slide tube as shown in the illustration to the right.

Note that all parts of the locking clamp are supplied as an assembly and are not listed separately in the parts list.

Make sure the eyebolt is aligned with the hole in the bottom of the outer slide tube and will easily thread into the hole to tighten and lock the inner slide tube into position.

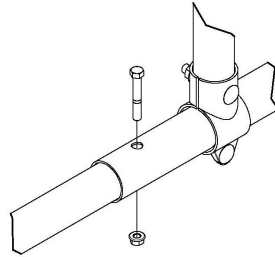
Once the clamp is installed and the clamp half bolt are securely tightened, tighten the eye bolt lightly by hand.

Remove the support from the outer portion of the lower extension arms and allow the unit hang on its own.

Check to make sure each side of the frame is still square to the wall. Measure the distance from the wall to the face of the back board on each side. Loosen the set screws in the outer tubes and slide the inner extension arm in or out until the face of bank (FOB) is reached. Once both sides of the backboard are at the correct FOB and the frame is still square to the wall, tighten the set screws. Also tighten the eyebolt on the slide tube.

Install the locking bolts on the extension arms to prevent movement of the arms.

Drill a 7/16" hole through the inner extension tube using the hole in the outer tube as a guide.

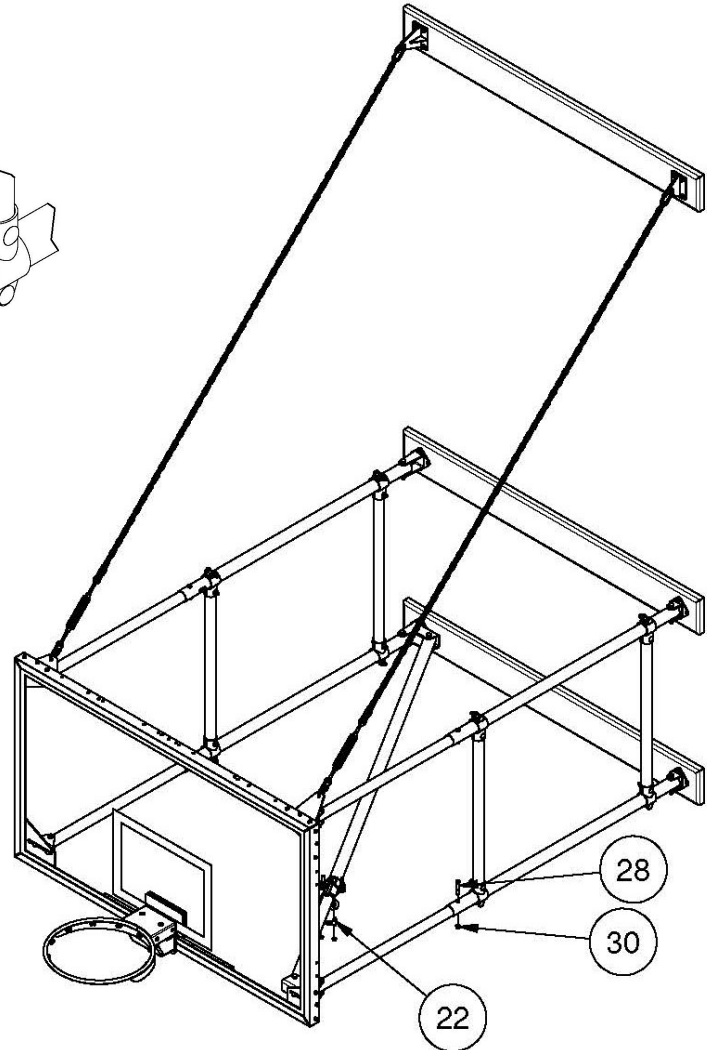
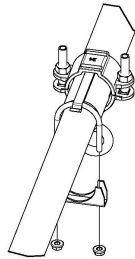


Install the 3/8" bolt (Item 28), locknut (Item 30) and tighten securely.

Repeat the process on all four extension tubes.

Install the play position stop (muffler clamp) onto the inner slide tube.

Adjust the position of the clamp to make sure the U-Bolt is under the indent of the spring arm on the locking clamp. Tighten the muffler clamp securely.



The final step of the assembly is to level the frame extension arm by adjusting the chain tension with the turnbuckles. It is important to not over adjust the chains as this causes undue stress on the chain anchor points. Chain tension should be no more than enough to level the side frame tubes.

▲ CAUTION

Adjust chains with only enough tension to level the frame extension tubes. **DO NOT** use chain tension to raise or lower goal height.

Improper chain tension can cause damage to frame when folding and/or failure of chain anchor points.

INSTALLING THE BACKBOARD WITH A HEIGHT ADJUSTER

Install the 50 chains on each side of the unit. Attach the chain to the upper chain supports with the 5/16" quick links. Make sure the links are fully closed and tightened.

▲ CAUTION

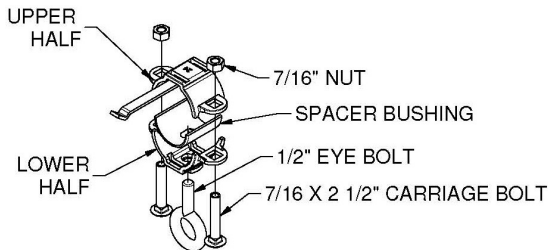
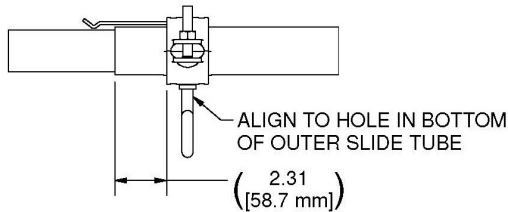
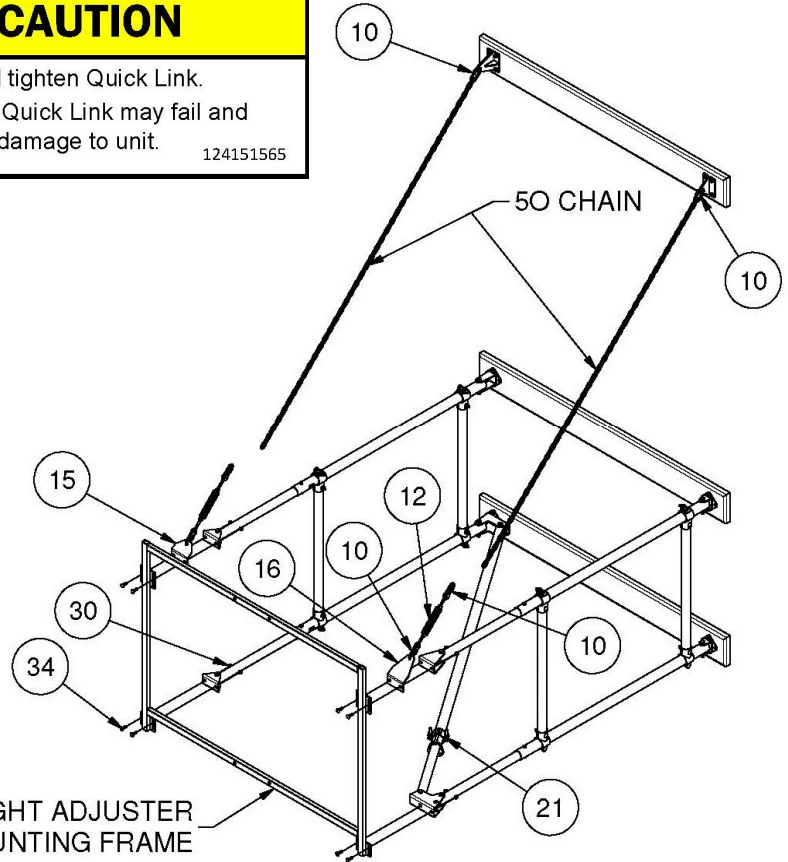
Fully close and tighten Quick Link. Loose or open Quick Link may fail and cause serious damage to unit. 124151565

Square each side of the frame to the wall and support the outer portion of the extension arms with the scissor lift or scaffolding.

Attach the height adjuster frame using the 3/8 x 1 1/2" carriage bolts and whizlock nuts. Make sure the chain attach brackets are between the upper board mounting point and the upper hinge bracket.

Attach the turnbuckle to the chain attach plate with a 5/16" quick link. Attach the loose end of the chain to the turnbuckle using a quick link.

Tighten the turn buckle by hand putting only a light tension on the chain. **DO NOT** fully tighten at this time. The turnbuckles will need to be readjusted later.



ITEM 21
LOCKING CLAMP ASSEMBLY

PARTS SUPPLIED TOGETHER AND ARE NOT LISTED IN PARTS LIST

Install the locking clamp onto the slide tube as shown in the illustration to the right.

Note that all parts of the locking clamp are supplied as an assembly and are not listed separately in the parts list.

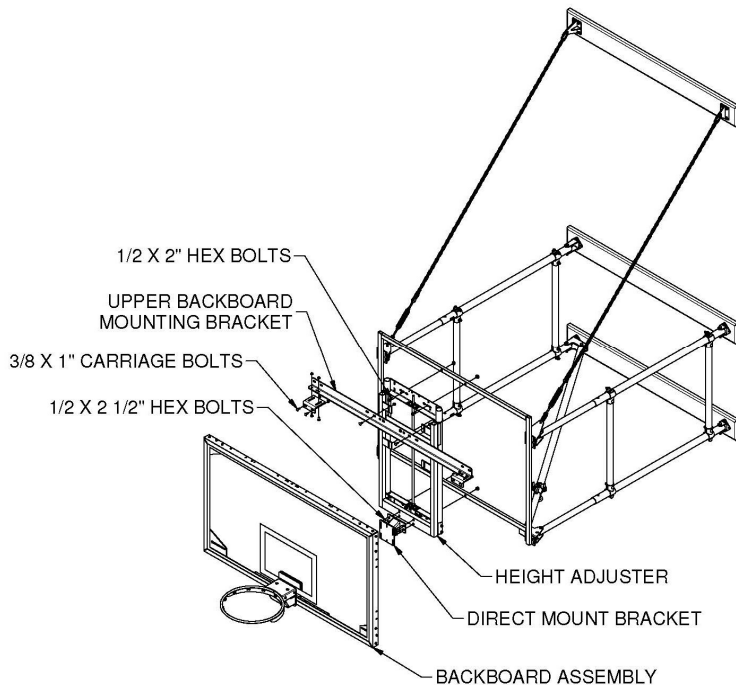
Make sure the eyebolt is aligned with the hole in the bottom of the outer slide tube and will easily thread into the hole to tighten and lock the inner slide tube into position.

Once the clamp is installed and the clamp half bolt are securely tightened, tighten the eye bolt lightly by hand.

Remove the support from the outer portion of the lower extension arms and allow the unit hang on its own.

Because the height adjuster mounting varies with the type of board, and the board to height adjuster mounting varies as well, specific instructions for mounting both the height adjuster and the board are supplied with the mounting kits.

The illustration below is for reference only and may not be the exact representation of the board or wall mount in your application. Please refer to the specific instructions supplied with the MTG KIT, HEIGHT ADJUSTER TO WM, and the MTG KIT BACKBOARD TO HEIGHT ADJUSTER.

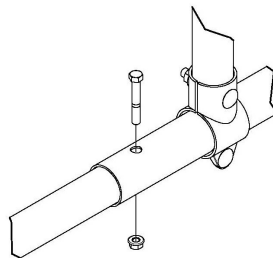


Once the height adjuster and backboard has been installed, final adjustments to the FOB and chain tension can be made.

Check to make sure each side of the frame is still square to the wall. Measure the distance from the wall to the face of the back board on each side. Loosen the set screws in the outer tubes and slide the inner extension arm in or out until the correct face of bank (FOB) is reached. Once both sides of the backboard are at the correct FOB and the frame is still square to the wall, tighten the set screws. Also tighten the eyebolt on the slide tube.

Install the locking bolts on the extension arms the prevent movement of the arms.

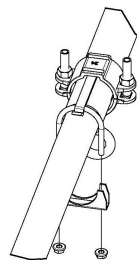
Drill a 7/16" hole through the inner extension tube using the hole in the outer tube as a guide.



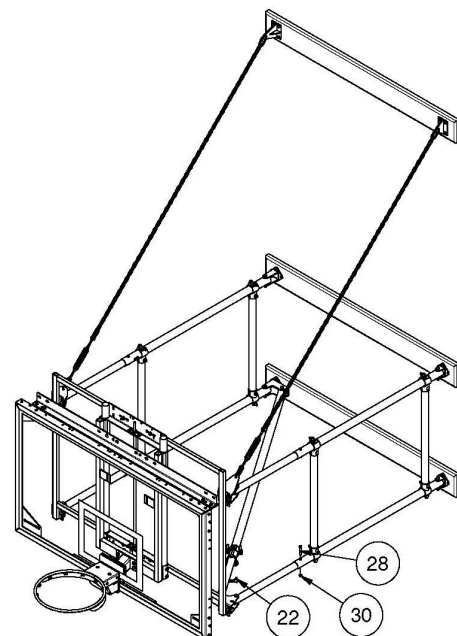
Install the 3/8" bolt (Item 28), locknut (Item 30) and tighten securely.

Repeat the process on all four extension tubes.

Install the play position stop (muffler clamp) onto the inner slide tube.



Adjust the position of the clamp to make sure the U-Bolt is under the indent of the spring arm on the locking clamp. Tighten the muffler clamp securely.

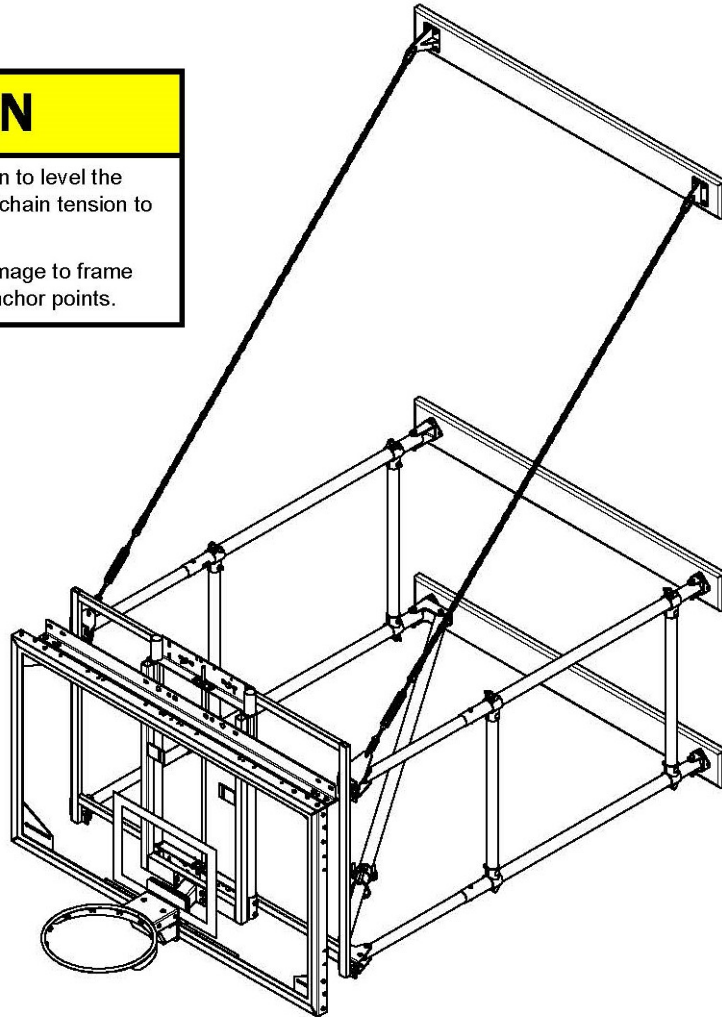


The final step of the assembly is to level the frame extension arm by adjusting the chain tension with the turnbuckles. It is important to not over adjust the chains as this causes undue stress on the chain anchor points. Chain tension should be no more than enough to level the side frame tubes.

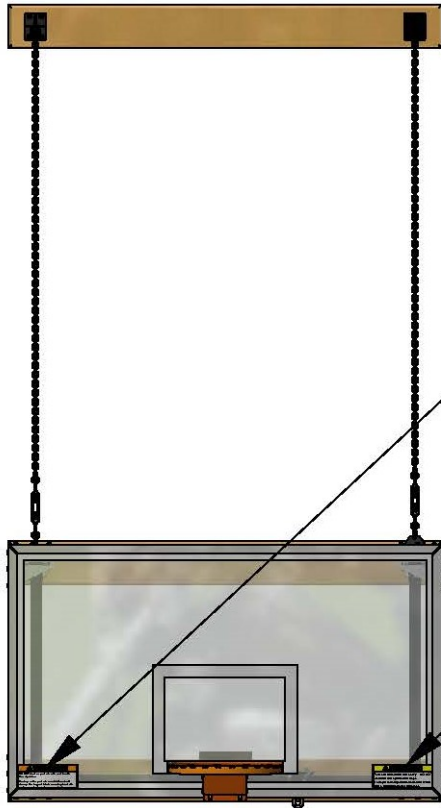
▲ CAUTION

Adjust chains with only enough tension to level the frame extension tubes. DO NOT use chain tension to raise or lower goal height.

Improper chain tension can cause damage to frame when folding and/or failure of chain anchor points.



Decal Locations



⚠ WARNING

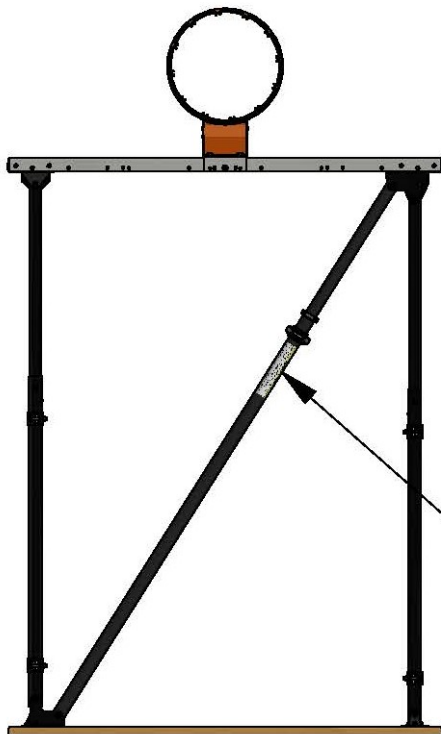
DO NOT dunk on goal when unit is in stored position. Dunking on goal when unit is stored will damage support tubes, mounting brackets, and may cause serious injury or death.

124151567

⚠ CAUTION

Fold and Unfold the unit slowly. DO NOT slam the unit against the stops. Damage to components can occur when unit is jammed against the stops.

124151572



⚠ CAUTION

DO NOT use locking eyebolt to pull unit. Use only pull point at backboard corner bracket. Pulling on locking eyebolt will damage slide tube.

124151571



SIDE FOLD WALL MOUNT



ATTENTION: INSTALLER

To confirm that you have received all the parts, and to better serve you if you contact us, please fill out the following information and fax or mail to the address below.

Please refer to the facility name and/or the installation company below when you contact the factory and include it on any correspondence.

Please complete the checklist on the following page for each unit installed and include them with the fax or letter.

Facility/School Name: _____

Installation Date: _____

Installed by: _____ ASTM #: _____

Signature: _____ Date: _____

Fax to: 1-317-774-9841

Attn: Customer Service

Or

Mail to:

Customer Service

9200 E. 146th St., Ste. A

Noblesville, IN 46060

800-848-8034



SIDE FOLD WALL MOUNT



Model 2500 Installation Checklist

Date: _____

	Unit Number					
	1	2	3	4	5	6
Building structure has been approved for unit loads.	—	—	—	—	—	—
Attachment anchor system has been approved for the unit loads and installed per the structural engineer's specifications.	—	—	—	—	—	—
Washers have been installed under wood pad's carriage bolts.	—	—	—	—	—	—
Extension arms are level and square to the wall in the play position.	—	—	—	—	—	—
Board and goal are level, plumb and set at appropriate FOB (Face of Bank).	—	—	—	—	—	—
Goal height is correct.	—	—	—	—	—	—
Hardware is tight.	—	—	—	—	—	—
Quick links have been closed and tightened.	—	—	—	—	—	—
Unit folds and unfolds smoothly.	—	—	—	—	—	—
Height adjuster, if so equipped, is lubricated and operates smoothly.	—	—	—	—	—	—
See height adjuster, board, and goal for additional installation instructions and checks.						



SIDE FOLD WALL MOUNT



OPERATING INSTRUCTIONS

For all folding backstops, only trained personnel should operate the units.

Keep the areas below and around the units clear at all times while the unit is in motion.

Always use the equipment in the manner intended. The manufacturer does not assume any liability for improperly used or improperly maintained equipment.

To move the backstop from the playing position to the stored position, first inlock the locking clamp eyebolt on the slide tube using the hand crank supplied with the unit. Next using the optional 9120-11-08 hand crank, hook into the hole in the lower board hinge bracket and pull the unit to the stored position. DO NOT pull into position using the eyebolt.

Once in the stored position, tighten the locking clamp eye bolt to hold the unit in position.

Reverse the process to move the unit from the stored position to the play position.

Fold and unfold the unit slowly. To prevent equipment damage, DO NOT slam unit against the stops.

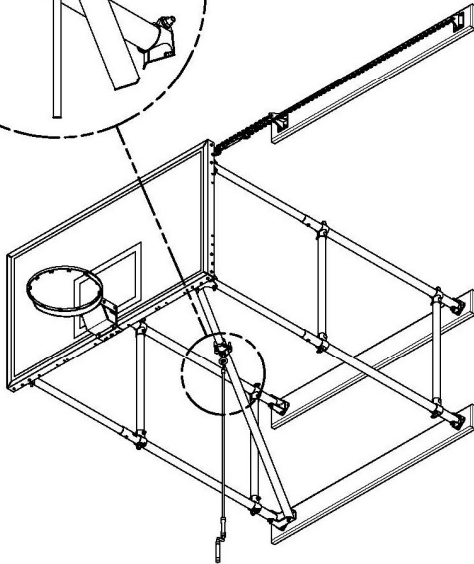
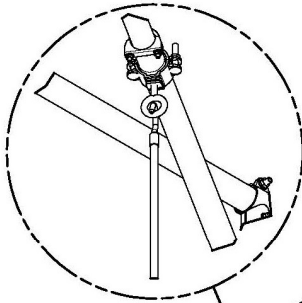
Refer to illustration on the following page for correct unlock and fold points of the unit.

⚠ WARNING	
DO NOT dunk on goal when unit is in stored position.	
Dunking on goal when unit is stored will damage support tubes, mounting brackets, and may cause serious injury or death.	
	124151567

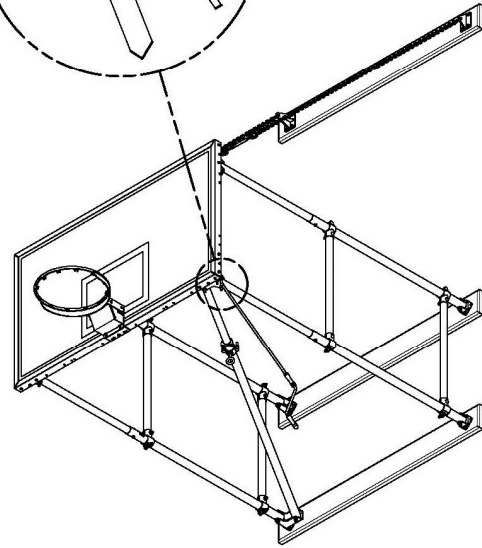
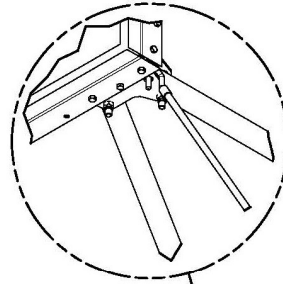
The manufacturer does not recommend play on the unit in the stored position. It especially important not to dunk on the goal in the stored position as damage will occur to the unit.

⚠ CAUTION	
Fold and Unfold the unit slowly. DO NOT slam the unit against the stops.	
Damage to components can occur when unit is jammed against the stops.	
	124151572

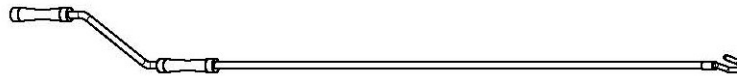
⚠ CAUTION	
Always raise height adjuster to full up position before moving unit to stored position.	
Moving the unit with height adjuster down can twist and damage frame members.	



UNLOCK SLIDE CLAMP



PULL FROM CORNER BRACKET



9120-11-08
Optional

▲ CAUTION

DO NOT use locking eyebolt to pull unit. Use only pull point at backboard corner bracket.

Pulling on locking eyebolt will damage slide tube.

124151571



SIDE FOLD WALL MOUNT



MAINTENANCE INFORMATION – **PLEASE RETAIN FOR FUTURE REFERENCE!!!**

MODEL #2500 SIDE FOLD WALL MOUNT

MAINTENANCE OVERVIEW

!!!ALWAYS DISCONNECT POWER SOURCE BEFORE PERFORMING ANY MAINTENANCE CHECK OR OPERATION ON THIS EQUIPMENT!!!

STRUCTURE:

We recommend a yearly inspection (or more frequently depending on usage) of the nuts and bolts, checking for tightness. Refer to recommended bolt torque chart at the right.

RECOMMENDED BOLT TORQUE				
Bolt Size	Wrench Size	In-Lbs	Ft-Lbs	Nm
1/4"	7/16"	66 to 90	5.5 to 7.5	8 to 10
5/16"	1/2"	132 to 180	11 to 15	15 to 20
3/8"	9/16"	234 to 318	19.5 to 26.5	27 to 36
7/16"	11/16"		31 to 42.5	43 to 58
1/2"	3/4"		47 to 65	64 to 88
9/16"	7/8"		68 to 90	93 to 122
5/8"	15/16"		94 to 130	128 to 176
3/4"	1-1/8"		166 to 230	226 to 312
7/8"	1-5/16"		269 to 372	365 to 504
1"	1-1/2"		402 to 566	546 to 767

Important Note: The bolts that secure the extension arms to the hinges and the center slide tube to the hinges have nylon locking nuts and these should **NOT** be torqued to the value in the chart. These nuts should only be tightened until the nut just engages the hinge bracket. **Do not** overtighten the nut as this will cause binding and excessive wear on the bushings and the tubes.

TURNBUCKLES AND CHAINS:

Check all turnbuckles and support chains for signs of wear or loose connection links.

Confirm all extension arms are level and square to the wall.

BACKSTOP FRAME COMPONENTS

Check for dents, on frame tubes, bent tubes, worn bushings, bent or broken hinge brackets.

Check the wood pads and wood pad wall anchors. Make sure wood pads are not loose to the wall. Make sure wood pads are not cracked or split.

This Model #2500 side folding wall mount has been custom manufactured according to the Owner's/Architect's specifications. When operated and maintained with proper care, this backstop should provide years of safe, trouble free service.



SIDE FOLD WALL MOUNT



ATTENTION: MAINTENANCE DEPARTMENT

To confirm that you have received maintenance and warranty information, and to better serve you if you contact us, please fill out the following information and fax or mail to the address below.

Please refer to the facility name and/or the installation company below when you contact the factory and include it on any correspondence.

I have received the maintenance and warranty information provided by your dealer on the 2500 side folding wall mount backstop.

Facility/School Name: _____

Installation Date: _____

Installed by: _____

Maintenance Dept. Contact: _____

Signature: _____

Date: _____

Fax to: 1-317-774-9841

Attn: Customer Service

Or

Mail to: Customer Service

9200 E. 146th St., Ste. A

Noblesville, IN 46060

800-848-8034



Maintenance Check Sheet

Refer to the Maintenance Overview section (page 20) for recommended frequency of inspections.

Date: _____

Unit: _____

Wood Pads / Anchors

-Wood pads, splitting, chipping, etc. OK Repair Replace

-Anchors/Bolts OK Repair Replace

Unit Supports / Brackets / Hinges

-Tubes; dents, stress spots, etc. OK Repair Replace

-Bolts; loose, deformed, etc. OK Repair Replace

-Brackets/Hinges; bent, not rotating, etc. OK Repair Replace

Chains

-Chains; deforming, broken/bent links OK Repair Replace

-Hardware; Quick links OK Repair Replace

Sliding Components; AAG (IF APPLICABLE)

-Lubrication OK Repair



Gared Holdings, LLC

Performance Sports Systems
9200 E. 146th Street
Noblesville, IN 46060

800-848-8034
www.perfsports.com

Gared Sports
9200 E. 146th Street
Noblesville, IN 46060

800-325-2682
www.garedsports.com