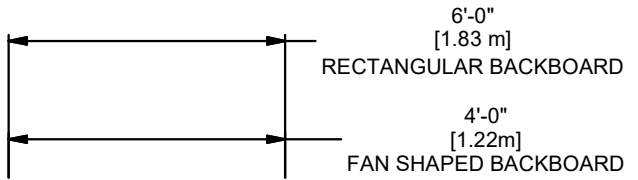
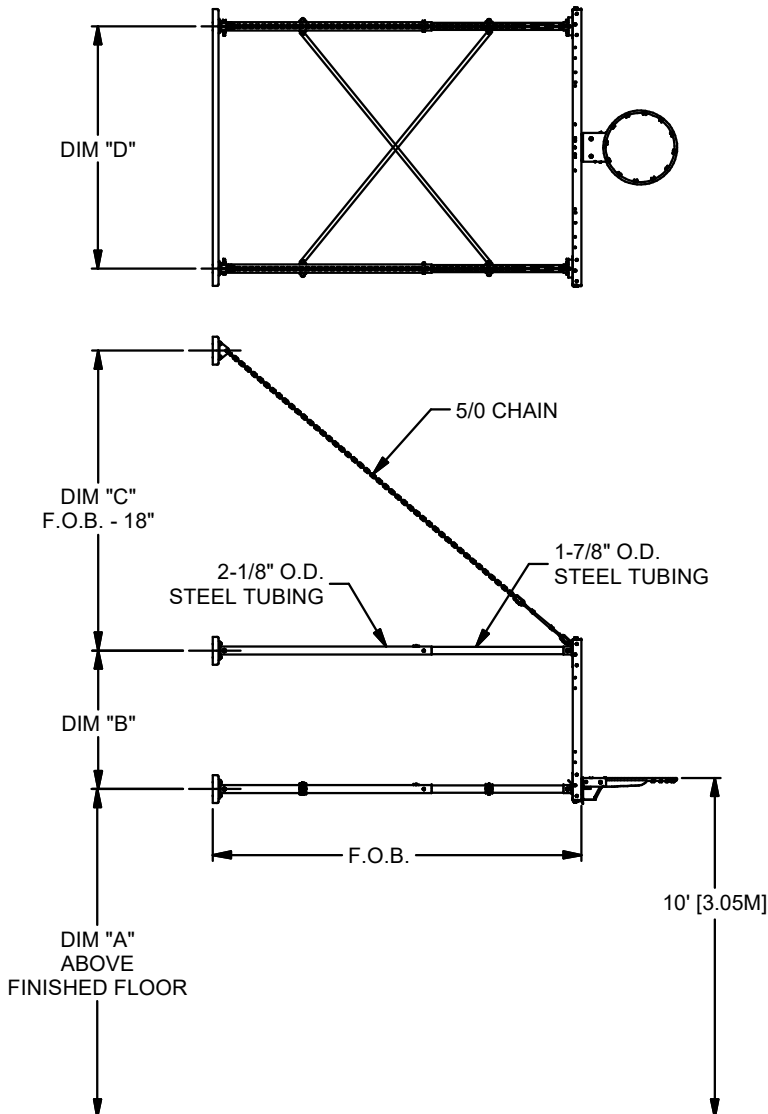


UNITS INSTALLED WITH OR WITHOUT HEIGHT ADJUSTER			
	DIM "A"	DIM "B"	DIM "D"
RECT. STYLE MOUNTING BACKBOARDS			
LXP4200	9'-9 1/8" [2.97 m]	36" [0.91 m]	63" [1.60 m]
AFRG42	9'-9 1/8" [2.97 m]	36" [0.91 m]	63" [1.60 m]
1442B	9'-7 3/4" [2.94 m]	36" [0.91 m]	63" [1.60 m]
48" BOARD INSTALLED WITHOUT HEIGHT ADJ.			
AFRG48	9'-2 3/4" [2.81 m]	42" [1.07 m]	63" [1.60 m]
RG	9'-2 3/4" [2.81 m]	42" [1.07 m]	63" [1.60 m]
48" BOARD INSTALLED WITH HEIGHT ADJ.			
AFRG48	9'-7 1/8" [2.92 m]	36" [0.91 m]	63" [1.60 m]
RG	9'-7 1/8" [2.92 m]	36" [0.91 m]	63" [1.60 m]

	DIM "A"	DIM "B"	DIM "D"
FAN STYLE MOUNTING BACKBOARDS			
1301B	10'-1 5/8" [3.09 m]	20" [0.51 m]	35" [0.89 m]
1342B	10'-1 5/8" [3.09 m]	20" [0.51 m]	35" [0.89 m]
1750B	9'-9 1/2" [2.98 m]	20" [0.51 m]	35" [0.89 m]
1245T	9'-9 3/4" [2.99 m]	20" [0.51 m]	35" [0.89 m]
1272B	10'-0 1/2" [3.06 m]	20" [0.51 m]	35" [0.89 m]
3050RG	10'-1 7/16" [3.09 m]	20" [0.51 m]	35" [0.89 m]

MODEL	FACE OF BANK RANGE	
	W/O HEIGHT ADJ	WITH HEIGHT ADJ
2300-2030	2'-0" TO 3'-0"	2'-8" TO 3'-8"
2300-2034	2'-0" TO 3'-0"	2'-8" TO 3'-8"
2300-3040	3'-0" TO 4'-0"	3'-8" TO 4'-8"
2300-3044	3'-0" TO 4'-0"	3'-8" TO 4'-8"
2300-4060	4'-0" TO 6'-0"	4'-8" TO 6'-8"
2300-4064	4'-0" TO 6'-0"	4'-8" TO 6'-8"
2300-6090	6'-0" TO 9'-0"	6'-8" TO 9'-8"
2300-6094	6'-0" TO 9'-0"	6'-8" TO 9'-8"
2300-9120	9'-0" TO 12'-0"	9'-8" TO 12'-8"
2300-9124	9'-0" TO 12'-0"	9'-8" TO 12'-8"

ALL DIMENSIONS ARE IN: FEET & INCHES [METERS]



**⚠ WARNING**  
 Use only anchors rated for minimum of 5 times wall loads listed for the unit. Incorrect anchors can fail causing unit to fall resulting in damage and serious injury or death.

**⚠ WARNING**  
 Unit must only be installed on walls approved for its rated loads by architect or structural engineer. Failure to attach to approved wall structure can cause unit to fall resulting in serious injury or death.

NOTE: FOR UNITS OVER 12' [3.66m] F.O.B., REFER TO INSTALLATION INSTRUCTIONS SUPPLIED WITH THE PRODUCT. IF INSTRUCTIONS ARE NOT AVAILABLE, CONTACT THE MANUFACTURER FOR CORRECT DIMENSIONS.

FOR UNIT WITH AN F.O.B. OF 0' TO 2', CONTACT MANUFACTURER FOR SPECIFIC DIMENSIONS AND LOADS

J	07/19/21	WDC
H	12/10/18	JJC
G	09/18/17	JJC
F	09/17/13	DWP
REV	BY	DATE

Gared Holdings, LLC  
 9200 E. 146th St. Noblesville, IN 46060

THIS DOCUMENT CONTAINS TRADE SECRET AND OTHER MATERIALS WHICH ARE PROTECTED BY CONFIDENTIALITY NOTICE AND AGREEMENT AND BY COPYRIGHT. ANY USE OR COPYING OF THIS DOCUMENT EXCEPT AS AUTHORIZED BY GARED HOLDINGS, LLC IS STRICTLY PROHIBITED.

**WALL MOUNT - STATIONARY**

DRAWN CONNERLEY	DATE 12/7/2018	DATE ISSUED
APPROVED	DATE	

FILE LOC. Q:\Inventor Files\Specification Files\05\_Wall Mounts

SIZE <b>A</b>	SCALE	SHT. NO. 1 OF 2	PART NO. <b>2300</b>	REV <b>J</b>
------------------	-------	--------------------	-------------------------	-----------------



## MODEL 2300

### **ADJUSTABLE 4 POINT STATIONARY WALL MOUNT STRUCTURE FOR EXTENSIONS 2'-0" TO 12'-0"**

#### **RECOMMENDED APPLICATION**

This unit is designed for applications allowing for mounting the backstop to the wall. The adjustable stationary wall mount can extend from 2'-0" to 12'-0".

#### **SPECIFICATIONS**

##### **WALL ATTACHMENT**

Unit shall be attached to 2 x 8 (1.5" x 7.25") clear coated #2 Southern Yellow Pine wood pads. Units will be additionally supported by 5/0 chain fastened at the front of the unit and attached to a wood pad mounted on the wall. Wood pads will be mounted on an 8" minimum solid core concrete block wall or wall of similar integrity which has been approved by a structural engineer to carry the loads. All critical fittings shall be heavy gauge steel stampings or weldments.

Wall anchors are not included. Through bolting of the wood pads to the wall is recommended; however, when through bolting is not feasible, anchors must be rated for a minimum of 5 times the loads shown for the unit being installed.

##### **BACKSTOP**

The backstop shall be supplied with four telescopic extension members, constructed of 1 7/8" O.D. tube telescoped inside 2 1/8" O.D. tube, spaced at 63" centers for a standard application and 35" centers for fan shaped backboards. Units with extensions greater than 4 feet shall be cross-braced with 1/4"x1" tension straps fastened to the structure. All critical fittings shall be malleable iron castings, heavy gauge steel stampings, or weldments.

Backstop manufactured in accordance with 2018 NCAA rule 1, section 12, art 2, stating that all backboard support systems shall be at least 6" behind backboard. Backstop will be furnished with standard black finish. Optional colors are available.

#### **ACCESSORIES**

##### **BACKBOARDS AND GOALS**

All PSS and/or Gared backboards and goals are available on this unit.

##### **BANK PADDING**

See the accessories section in the specification manual.

##### **HEIGHT ADJUSTER**

Height adjusters are available for adjusting board heights between 8' and 10' for both rectangular and fan shaped backboards.

Model 1131 – Manual Height Adjuster

Model 1171 – Electric Height Adjuster

#### **▲WARNING**

Unit must only be installed on walls approved for its rated loads by architect or structural engineer.

Failure to attach to approved wall structure can cause unit to fall resulting in serious injury or death.

#### **▲WARNING**

Use only anchors rated for minimum of 5 times wall loads listed for the unit.

Incorrect anchors can fail causing unit to fall resulting in damage and serious injury or death.

Subject to design change and current manufacturing practices.