

Turntable Trolley - Medium



Our now world famous HIT1000, not only a work horse of a trolley but also a beautiful piece of equipment, visit our made to order section so that you can appreciate the options available. The single piece box section frame as with many of our trolleys, produces curvaceous strength, with the built in flexibility to add side panels as a retro fit item. With solid, pneumatic or puncture proof tyres available.

Options



Our axles can fit both traditional Pneumatic Wheels or upgrade to our Polyurethane Puncture Proof wheels.



No more flat tyres or punctures increasing safety and productivity.



Safety straps are also available to accompany all our products for securing taller and heavier loads.



Available with the option to add a parking break for added versatility.



Also Available with or without side panel kit.

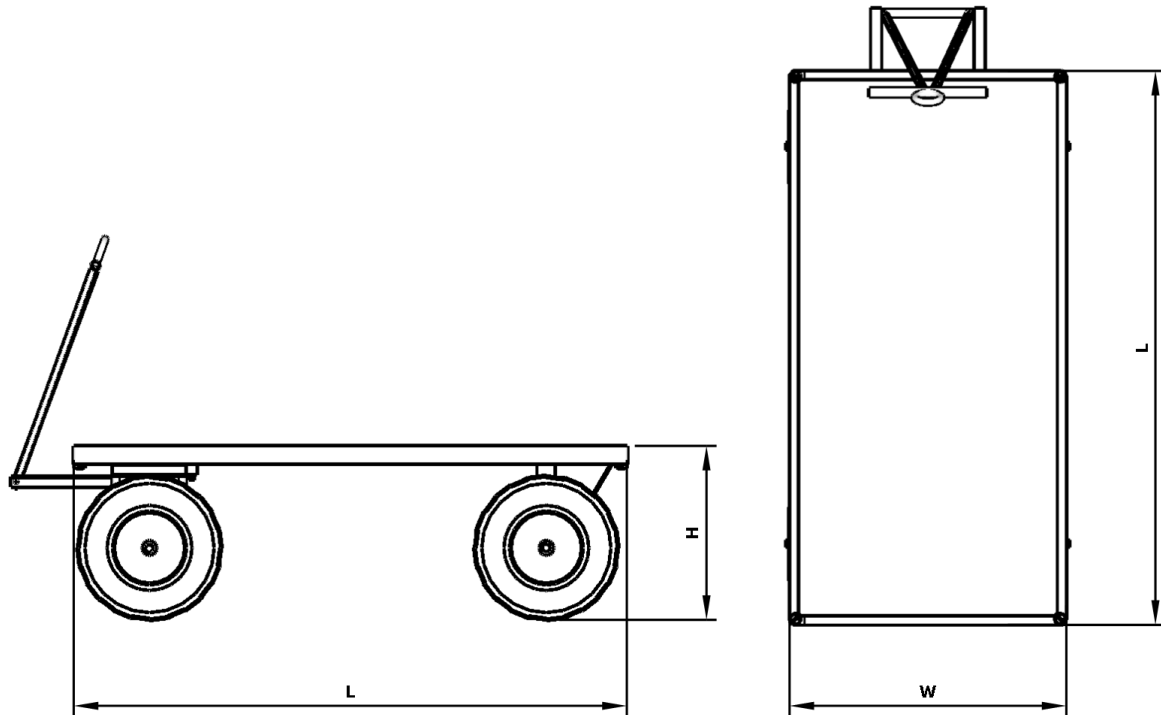


Handling Your Handling Needs
 VAT Registration Number 836 905013
 Company Number 4637039



Telephone (01803) 814522
 Dainton Manor Estate, Dainton,
 Nr Torquay, Devon, TQ12 5TZ
 sales@handle-it.com
 www.handle-it.com

Handle-it



(Diagram may not visually represent product and is only used to display size)

Item	Measurement
Capacity	500KG / 1000KG
Bed Length (L1)	1500mm
Bed Width (W)	750mm
Base Height (H)	515mm
Overall Height (H2)	Optional
Wheel Size	254/390mm
Tyre Type	Pneumatic or Polyethylene puncture proof



Handling Your Handling Needs
 VAT Registration Number 836 905013
 Company Number 4637039



Registered Office: 15 Dainton Manor Estate, Dainton, Nr Torquay, Devon TQ12 5TZ