

Telephone (01803) 814522
Dainton Manor Estate, Dainton,
Nr Torquay, Devon, TQ12 5TZ
sales@handle-it.com
www.handle-it.com



HITC106B Cash and Carry Trolleys, Stacking & Nesting



Cash and Carry Trolleys. Stacking & Nesting is something seen in most major national cash and carry's. Supplied as standard with the bottle basket, this unit interlinks with most others in the market place. The handle is constructed from heavy duty 30mm tube, the basket is reinforced around the rim with tube and solid bar, ensuring longevity. The base is finished with 18mm heavy duty weather proofed ply wood, and then the unit is epoxy powder coated so that these trolleys will remain looking good even in a heavy use environment. We are one of the few companies that are stockist's of cash and carry trolleys "off the shelf" for an overnight delivery. Some of the best value trolleys in the industry.

Options



Safety straps are also available to accompany all our products for securing taller and heavier loads.

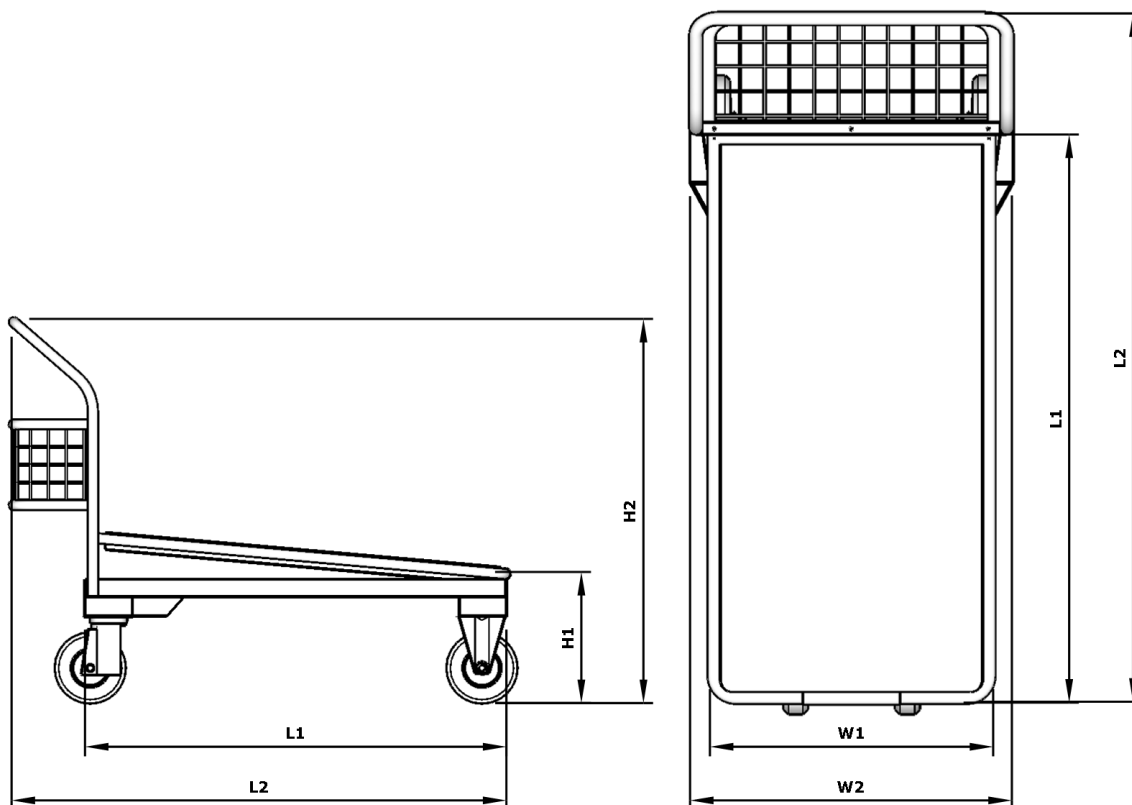


Handling Your Handling Needs
VAT Registration Number 836 905013
Company Number 4637039



Telephone (01803) 814522
 Dainton Manor Estate, Dainton,
 Nr Torquay, Devon, TQ12 5TZ
 sales@handle-it.com
 www.handle-it.com

Handle-it



(Diagram may not visually represent product and is only used to display size)

| Item | Measurement |
|---------------------|------------------|
| Capacity | 500KG |
| Bed Length (L1) | 1180mm |
| Bed Width (W1) | 600mm |
| Overall Height (H2) | 1075mm |
| Base Height (H1) | 300mm |
| Wheel Size | 200mm |
| Tyre Type | 2 fixed 2 Swivel |



Handling Your Handling Needs
 VAT Registration Number 836 905013
 Company Number 4637039



Registered Office: 15 Dainton Manor Estate, Dainton, Nr Torquay, Devon TQ12 5TZ