

HISTB1 Heavy Duty Beer Barrel Trolley



The Heavy Duty Beer Barrel Trolley HISTB1. The same design as the HI1890 but double strength 8mm thick steel for the frame and the foot plate for those dray men that refuse to treat their barrow with any respect, this truck loves it. The more brutal you want to be with this barrel truck the more the truck likes it. Used by major breweries throughout the UK and Europe. As standard this truck comes on pneumatic tires but can be upgraded to the polyurethane wheels.



Options



Our handles come with multiple grip options. The standard is a durable rubber grip, alternately we also supply a knuckle guard grip or a comfort foam grip.



Our 20mm solid Sack Truck axles can fit both traditional Pneumatic Wheels or upgrade to our Polyurethane Puncture Proof wheels. No more flat tyres or punctures increasing safety and productivity.



Safety straps are also available to accompany all our sac trucks for securing taller and heavier loads.

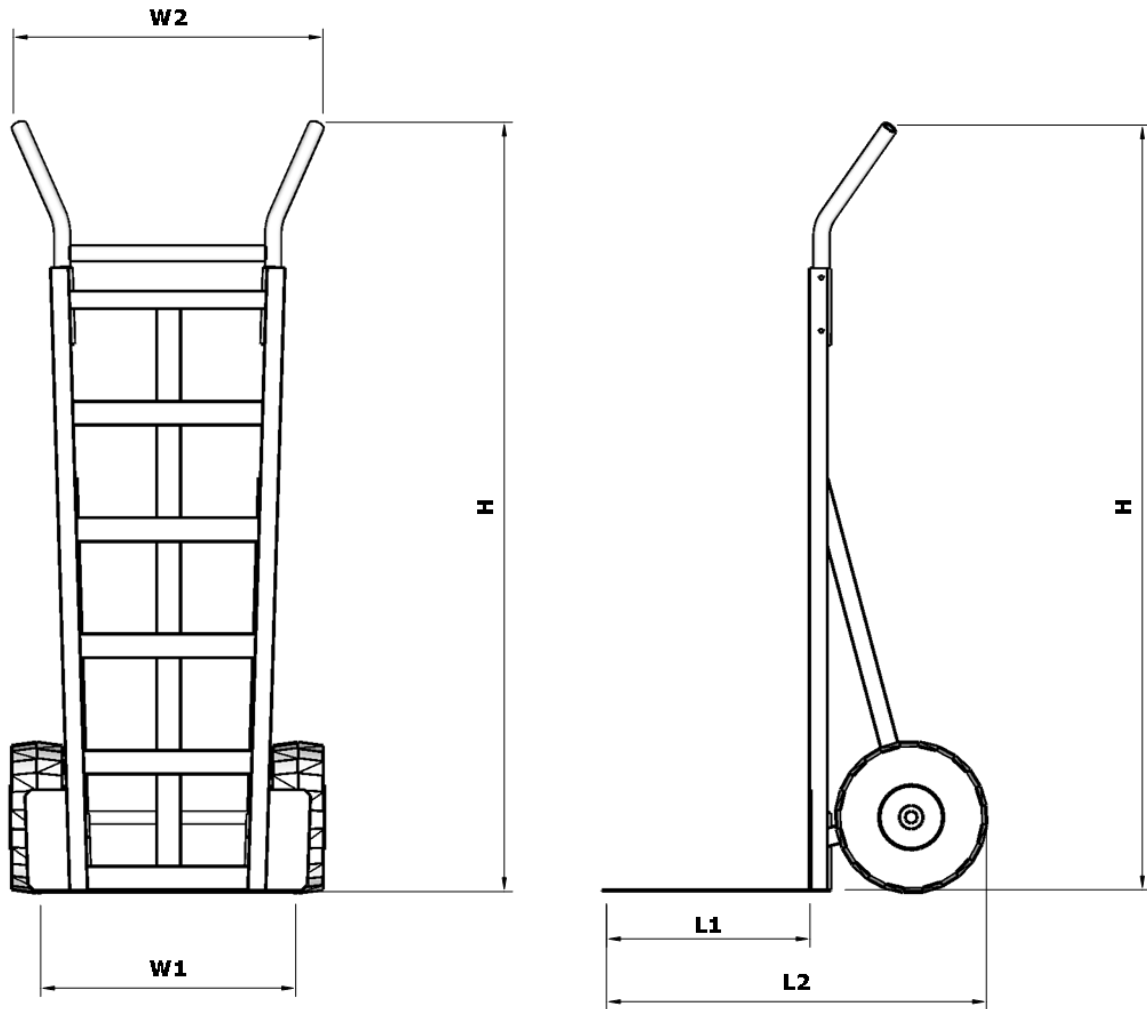


Handling Your Handling Needs
 VAT Registration Number 836 905013
 Company Number 4637039



Telephone (01803) 814522
 Dainton Manor Estate, Dainton,
 Nr Torquay, Devon, TQ12 5TZ
 sales@handle-it.com
 www.handle-it.com

Handle-IT



Item	Measurement
Capacity	300Kg (270kg on Puncture Proofs)
Height (H)	1250mm
Width (W2)	535mm
Toe Plate Width (W1)	320mm
Toe Plate Length (L1)	160mm
Axle	20mm
Handle Type	H
Wheels	254mm
Tyres	Pneumatic or Polyurethane Puncture Proof



Handling Your Handling Needs
 VAT Registration Number 836 905013
 Company Number 4637039



Registered Office: 15 Dainton Manor Estate, Dainton, Nr Torquay, Devon TQ12 5TZ