

HI1890 Heavy Duty Keg Sack Truck



Heavy Duty Keg Sack Truck used by most of the major breweries throughout Europe with sliding hook to clasp the keg of beer to the frame so that the barrel sits in the curvature to reduce movement, ensuring your kegs don't move while in transit on the sack barrow. Constructed from heavy duty angle iron, to give a superbly ridged frame. Fitted with a 20 mm solid bar axle and supplied as standard with Pneumatic tyres on bolted steel centres to enable the changing of tyres to be quick, easy and topped off with fully cased ball bearing to give a smooth ride and long life. You can upgrade the tires to either our 'Cellular Foam Filled Wheel' or 'Polyurethane Foam Tyres' which will never puncture. The frame is finished in a safety 'hi-vis' yellow powder coated, stove baked, constructed from heavy duty angle iron for maximum strength.

Options



Our 20mm solid Sack Truck axles can fit both traditional Pneumatic Wheels or upgrade to our Polyurethane Puncture Proof wheels. No more flat tyres or punctures increasing safety and productivity.



Our handles come with multiple grip options. The standard is a durable rubber grip, alternately we also supply a knuckle guard grip or a comfort foam grip.



Safety straps are also available to accompany all our sac trucks for securing taller and heavier loads.

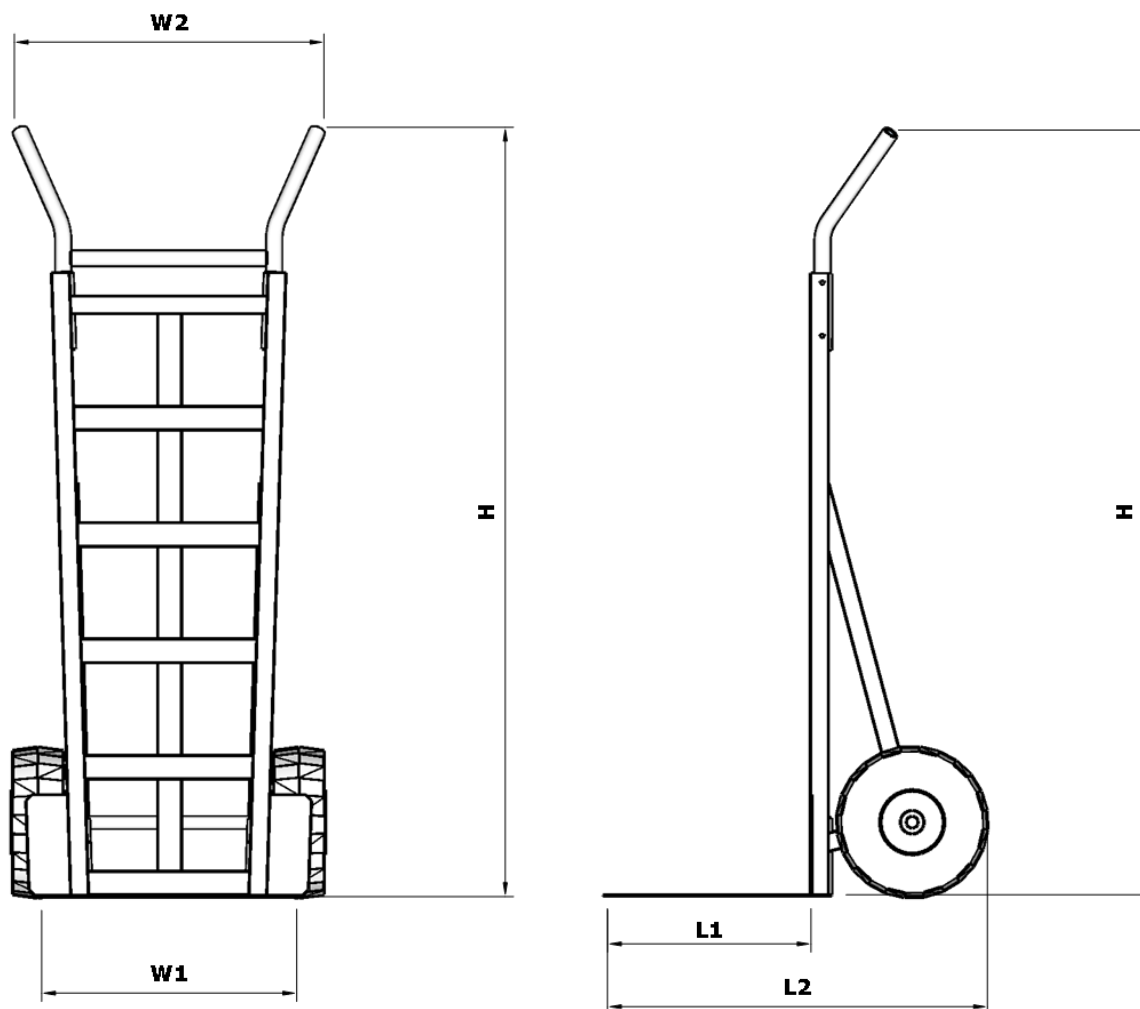


Handling Your Handling Needs
VAT Registration Number 836 905013
Company Number 4637039



Telephone (01803) 814522
 Dainton Manor Estate, Dainton,
 Nr Torquay, Devon, TQ12 5TZ
 sales@handle-it.com
 www.handle-it.com

Handle-IT



Item	Measurement
Capacity	300Kg (270kg on Puncture Proofs)
Height (H)	1251mm
Width (W2)	508mm
Toe Plate Width (W1)	320mm
Toe Plate Length (L1)	220mm
Axle	20mm
Handle Type	H
Wheels	254mm
Tyres	Pneumatic or Polyurethane Puncture Proof



Handling Your Handling Needs
 VAT Registration Number 836 905013
 Company Number 4637039



Registered Office: 15 Dainton Manor Estate, Dainton, Nr Torquay, Devon TQ12 5TZ