

Telephone (01803) 814522  
 Dainton Manor Estate, Dainton,  
 Nr Torquay, Devon, TQ12 5TZ  
 sales@handle-it.com  
 www.handle-it.com

# Handle-IT

## HI-JD-SC15P Gas Bottle Sack Barrow



Gas Bottle Sack Barrow or Calor gas bottle moving trolley is very easy to use with one hand or two, being able to take cylinders up to 380mm diameter, from 13kg right through to 43kg propane. The gas trolley is available on puncture proof polyurethane or Pneumatic tyres depending on the ground conditions that the trolley is to be used on. A retention chain is supplied as standard.



### Options



Our handles come with multiple grip options. The standard is a durable rubber grip, alternately we also supply a knuckle guard grip or a comfort foam grip.



Our 20mm solid axles can fit both traditional Pneumatic Wheels or upgrade to our Polyurethane Puncture Proof wheels. No more flat tyres or punctures increasing safety and productivity.



Safety straps are also available to accompany all our sac trucks for securing taller and heavier loads.



Handling Your Handling Needs  
 VAT Registration Number 836 905013  
 Company Number 4637039



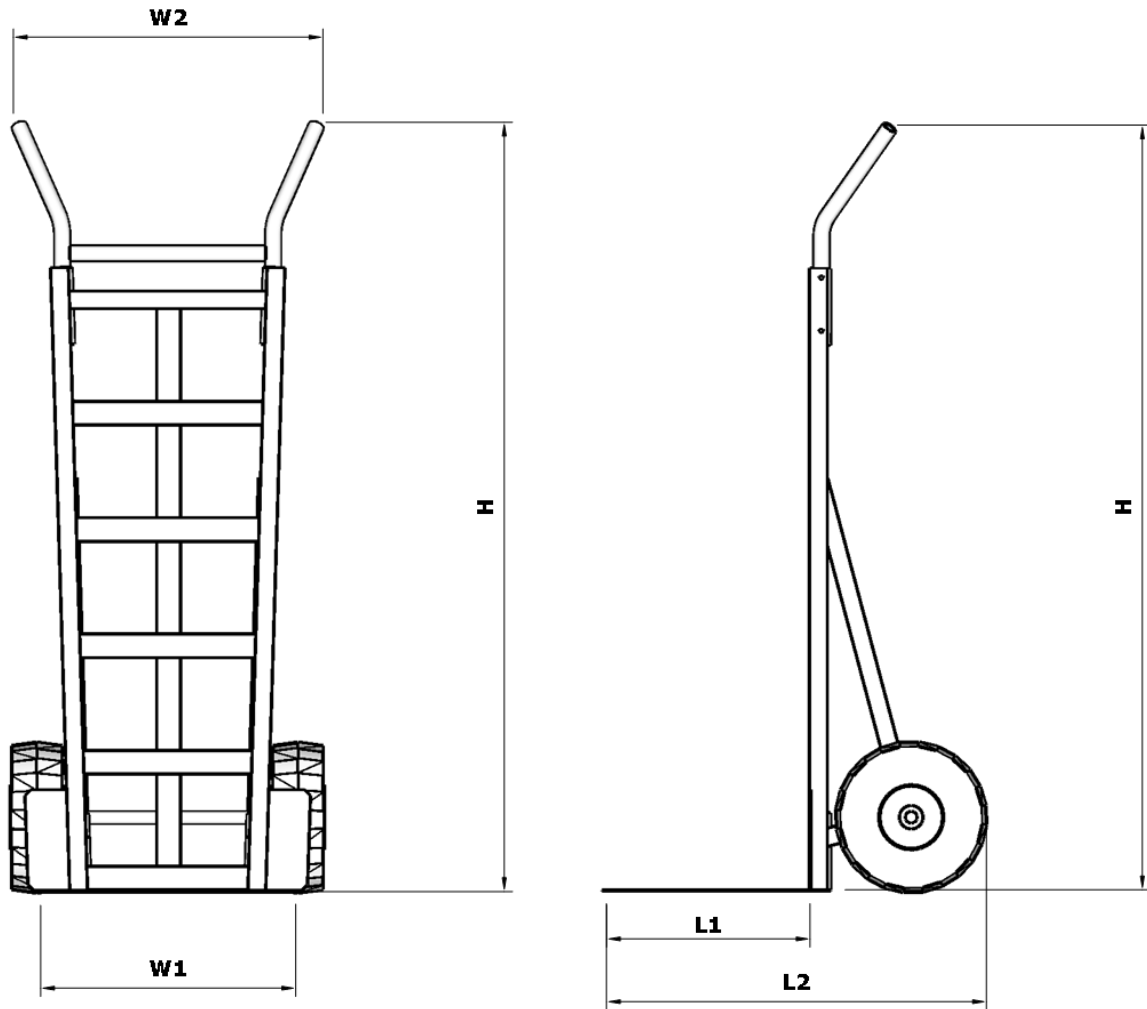


Diagram not representative of actual product and only used to demonstrate size

Item	Measurement
Capacity	300Kg (270kg on Puncture Proofs)
Height (H)	1390mm
Width (W2)	410mm
Toe Plate Width (W1)	Recessed
Toe Plate Length (L1)	Recessed
Wheels	254mm
Tyres	Pneumatic or Polyurethane Puncture Proof



Handling Your Handling Needs  
 VAT Registration Number 836 905013  
 Company Number 4637039

