

Telephone (01803) 814522
Dainton Manor Estate, Dainton,
Nr Torquay, Devon, TQ12 5TZ
sales@handle-it.com
www.handle-it.com

Handle-IT

HI-JD-DOL-RF-H Dolly w/ Retention Frame & Handle



Dolly With Retention Frame & Handle Ideal for moving objects that are not a stable load either due to a fluid moving load center or a high load center. The retention frame of the dolly does what it says, retains the load on the frame of the dolly to reduce movement. The retention frame can be situated at the height you require, and is filled with the material that suits your application. Supplied with a detachable towing handle, so that the load is not made more unstable by using it as the pushing and pulling mechanism.



Safely supports up to 200kg



Grey non-marking tyres as standard

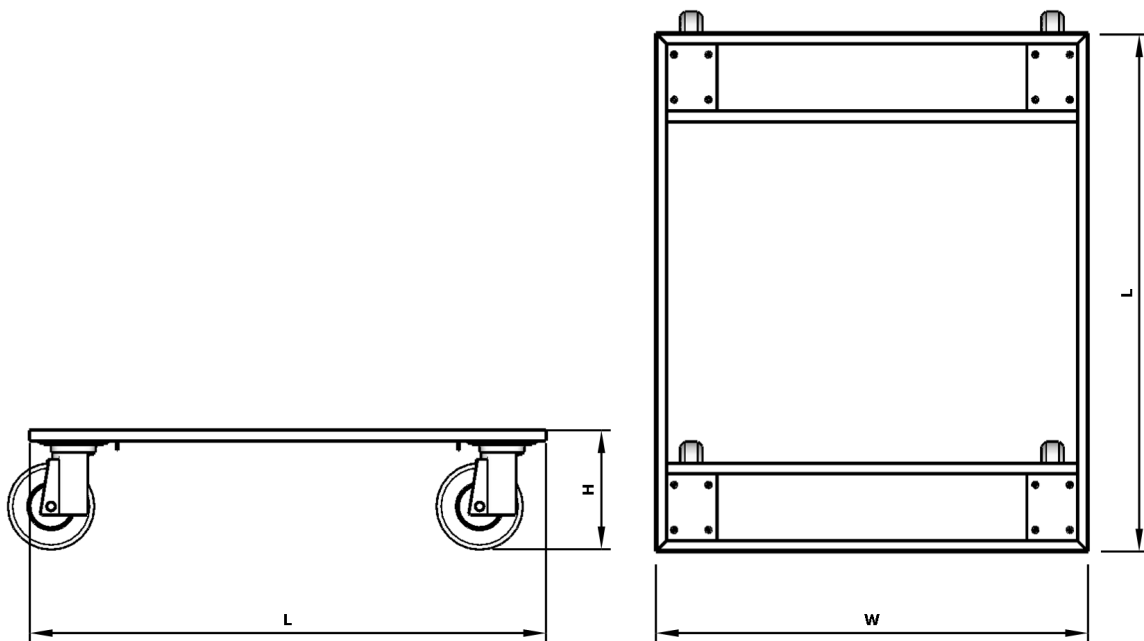


Handling Your Handling Needs
VAT Registration Number 836 905013
Company Number 4637039



Telephone (01803) 814522
 Dainton Manor Estate, Dainton,
 Nr Torquay, Devon, TQ12 5TZ
 sales@handle-it.com
 www.handle-it.com

Handle-it



Item	Measurement
Capacity	200kg
Length (L1)	600mm
Width (W)	600mm
Weight	6kg
Wheel size	100mm
Tyres	Grey non-marking



Handling Your Handling Needs
 VAT Registration Number 836 905013
 Company Number 4637039

