

Telephone (01803) 814522
 Dainton Manor Estate, Dainton,
 Nr Torquay, Devon, TQ12 5TZ
 sales@handle-it.com
 www.handle-it.com



HI-71-B1335L Chair Moving Sack Truck



The chair moving trolley or sack truck is fitted with an adjustable prong system allows the operator to move chairs either as a stack or individually. As the chair prongs are adjustable this unit can carry every size and style of chair. The chair prongs are also removable, this will also allow you to use the truck as a standard barrow. Fitted with Pneumatic tires as standard, and constructed from 25.4mm tube, is make the trolley both strong but also remarkably light weight. The truck comes as standard with a 250kg carrying capacity and is ideal for use in conference centres, schools, colleges, hospitals and event companies.

Options



Our 20mm solid Sack Truck axles can fit both traditional Pneumatic Wheels or upgrade to our Polyurethane Puncture Proof wheels. No more flat tyres or punctures increasing safety and productivity.



Our handles come with multiple grip options. The standard is a durable rubber grip, alternately we also supply a knuckle guard grip or a comfort foam grip.



Safety straps are also available to accompany all our sac trucks for securing taller and heavier loads.



Handling Your Handling Needs
 VAT Registration Number 836 905013
 Company Number 4637039



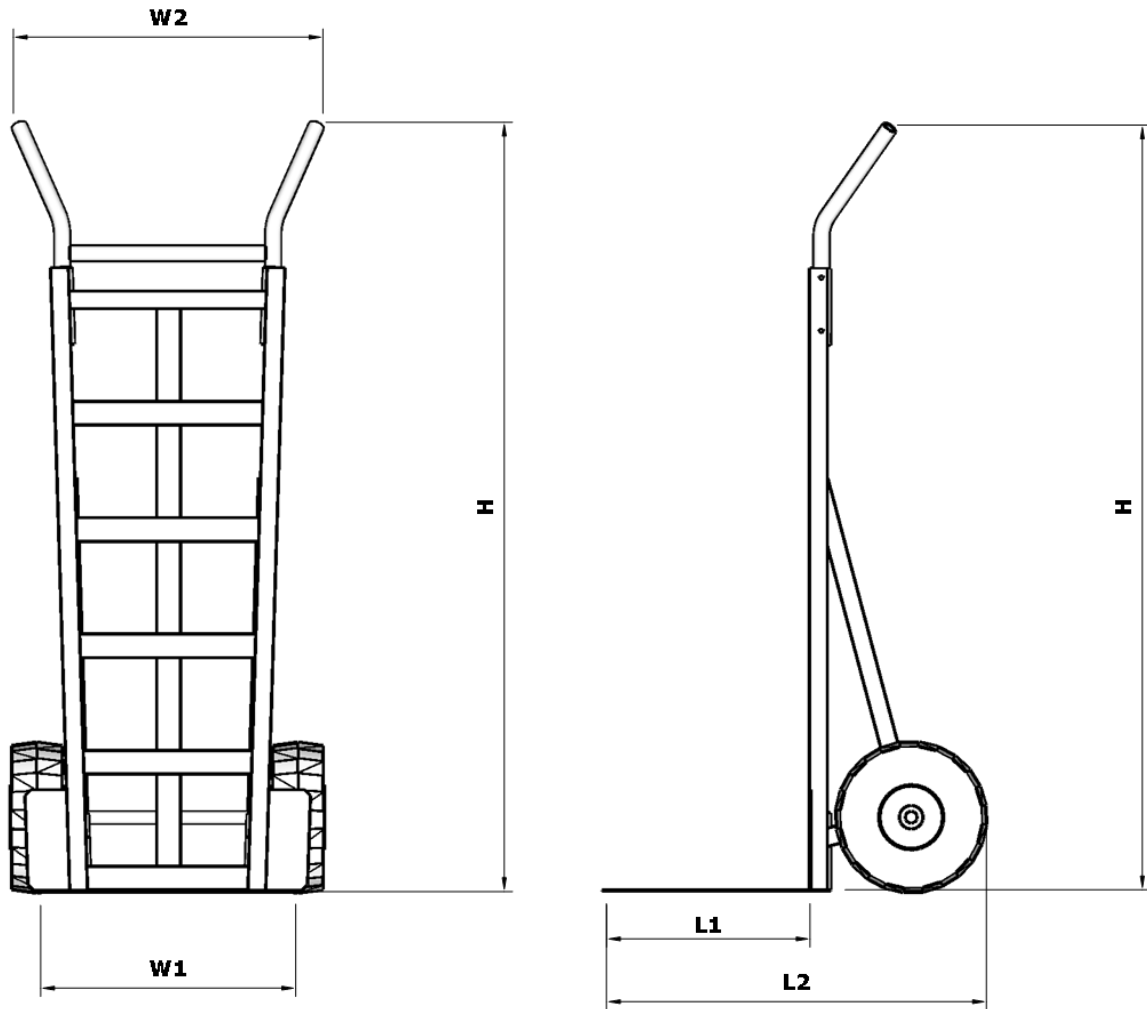


Diagram not representative of actual product and only used to demonstrate size

Item	Measurement
Capacity	300Kg
Height (H)	1320mm
Width (W2)	560mm
Toe Plate Width (W1)	450mm
Toe Plate Length (L1)	350mm
Axle	20mm
Wheels	254mm
Tyres	Pneumatic or Polyurethane Puncture Proof



Handling Your Handling Needs
 VAT Registration Number 836 905013
 Company Number 4637039

