

## HI-36-TWB2 Twin Oxy Acetylene Cylinder Gas Bottle Trolley



Twin Oxy Acetylene Cylinder Gas Bottle Trolley, or welders trolley for moving Argon gas bottles, or suitable for Oxy propane bottle too.

Fitted with welding rod holders, retention chain for the gas bottles, and a hose and torch clip to ensure the load is always neat and tidy. This gas bottle hand truck is remarkably well balance due to the oversized wheels to make the heavy load easily transportable. For area where there is swarf, why not consider the polyurethane puncture proof wheels? or if you are looking to work off shore why not think about having the truck in a galvanised finish?

### Options



Our 20mm solid axles can fit both traditional Pneumatic Wheels or upgrade to our Polyurethane Puncture Proof wheels. No more flat tyres or punctures increasing safety and productivity.



Safety straps are also available to accompany all our sac trucks for securing taller and heavier loads.



Handling Your Handling Needs  
VAT Registration Number 836 905013  
Company Number 4637039



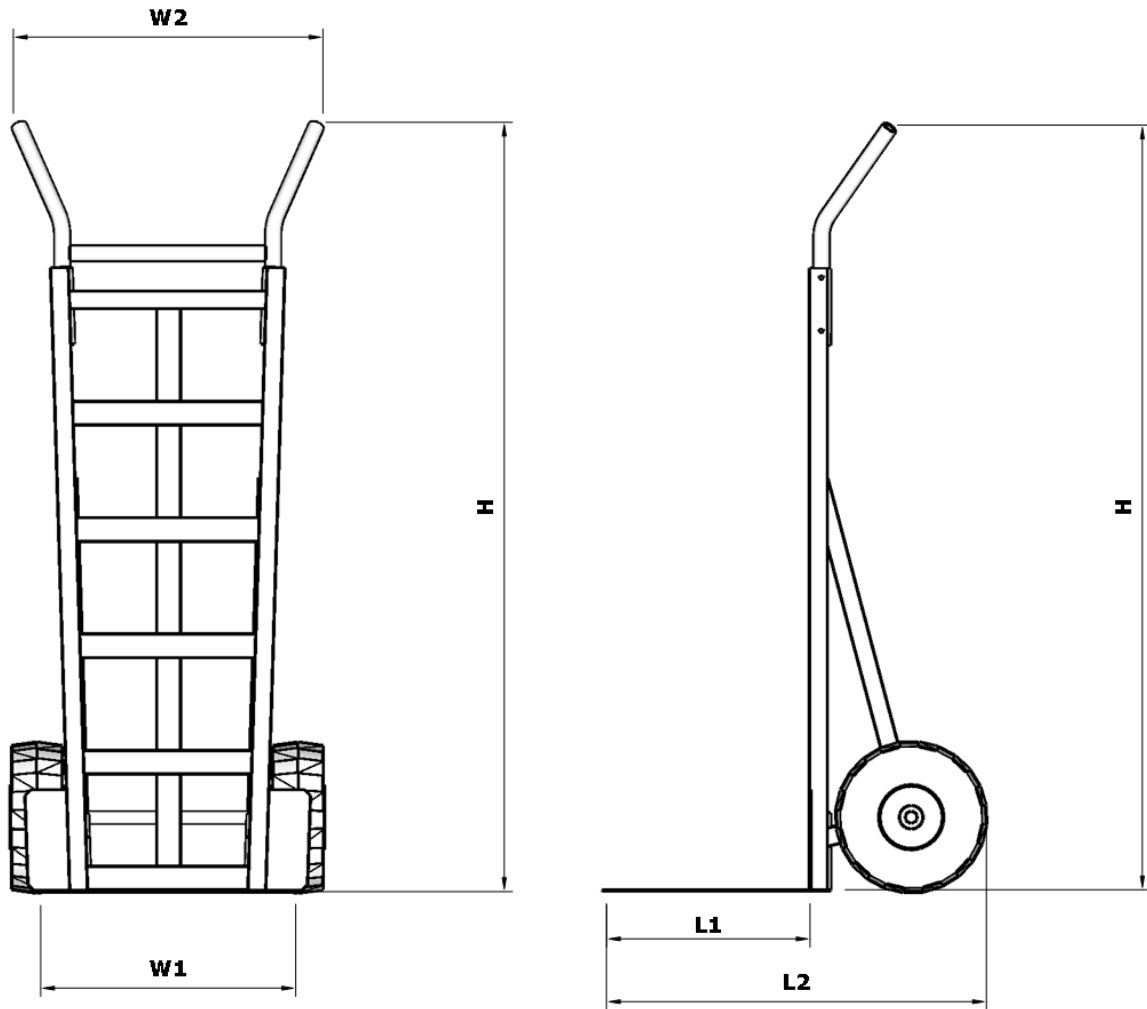


Diagram not representative of actual product and only used to demonstrate size

Item	Measurement
Capacity	400kg
Height (H)	1300mm
Width (W2)	1050mm
Toe Plate Width (W1)	Optional
Toe Plate Length (L1)	Recessed
Wheels	390mm
Tyres	Pneumatic or Polyurethane Puncture Proof



Handling Your Handling Needs  
 VAT Registration Number 836 905013  
 Company Number 4637039

