

Telephone (01803) 814522
Dainton Manor Estate, Dainton,
Nr Torquay, Devon, TQ12 5TZ
sales@handle-it.com
www.handle-it.com

Handle-IT

HI-36-GCT2 Gas Cylinder Trolley



Gas Cylinder Trolley for cylinders with diameters from 185mm through to 290mm which is suitable for carrying oxygen bottles from all major suppliers. Manufactured here in Devon from 25.4mm hollow tube which provides great strength, but still remains light weight and manageable. Available on a choice of wheels, either standard 200mm diameter solid wheels with roller bearing, or 254mm diameter pneumatic or anti puncture wheels, which would provide the gas cylinder trolley with 200kg capacity. The fully welded construction offers the strength and security needed when moving compressed gasses and then fitted with a heavy duty zinc plated



Options



Our 20mm solid Sack Truck axles can fit both traditional Pneumatic Wheels or upgrade to our Polyurethane Puncture Proof wheels. No more flat tyres or punctures increasing safety and productivity.



Safety straps are also available to accompany all our products for securing taller and heavier loads.



Handling Your Handling Needs
VAT Registration Number 836 905013
Company Number 4637039



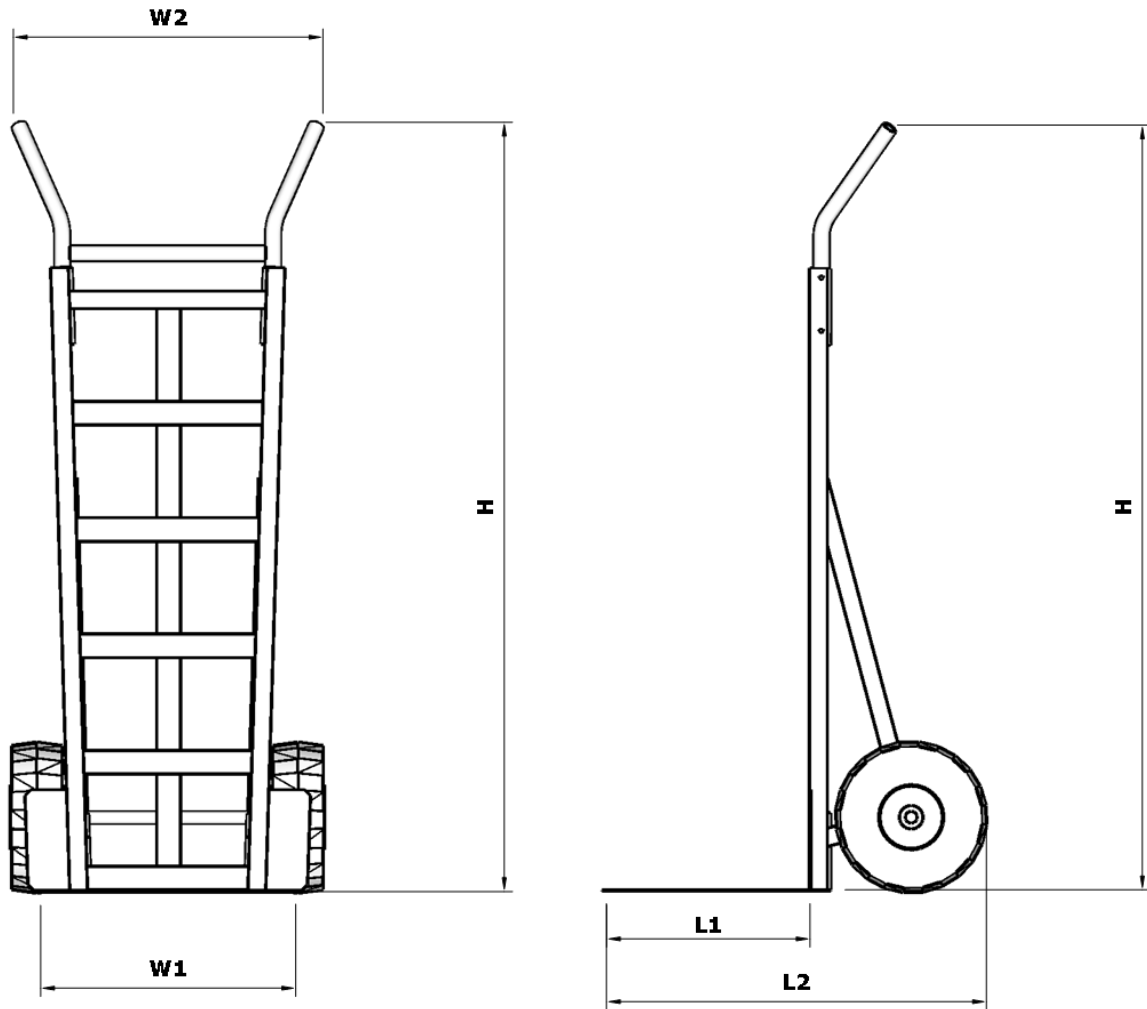


Diagram not representative of actual product and only used to demonstrate size

Item	Measurement
Capacity	300Kg (270kg on Puncture Proofs)
Height (H)	1250mm
Width (W2)	390mm
Toe Plate Width (W1)	245mm
Toe Plate Length (L1)	235mm
Axle	20mm
Handle Type	H
Wheels	200mm / 254mm
Tyres	Solid / Pneumatic or Polyurethane Puncture Proof



Handling Your Handling Needs
 VAT Registration Number 836 905013
 Company Number 4637039

