

Telephone (01803) 814522
Dainton Manor Estate, Dainton,
Nr Torquay, Devon, TQ12 5TZ
sales@handle-it.com
www.handle-it.com



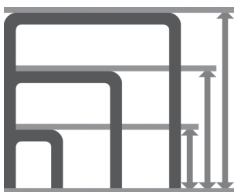
HI-36-FSPT1260 Security Platform Truck With Locking Lid



Security Platform Truck With Locking Lid, and half drop down front to allow easy access. Great for moving sensitive documents, cash, or high value product, where you need just that little bit more security. With option on locking mechanisms from a standard pad lock, to a key entry lock, through to key-less entry swipe cards, the level of security is YOUR choice. The fully welded construction means that you would need to literally cut this trolley up to get at the contents. Offered as standard in 2 sizes, however as this is part of the made to order range talk to us if you need to make changes, or visit our made to order trolley pages for more inspiration. If you are looking for a secure trolley, with anti theft devices this is a great starting point.



Options



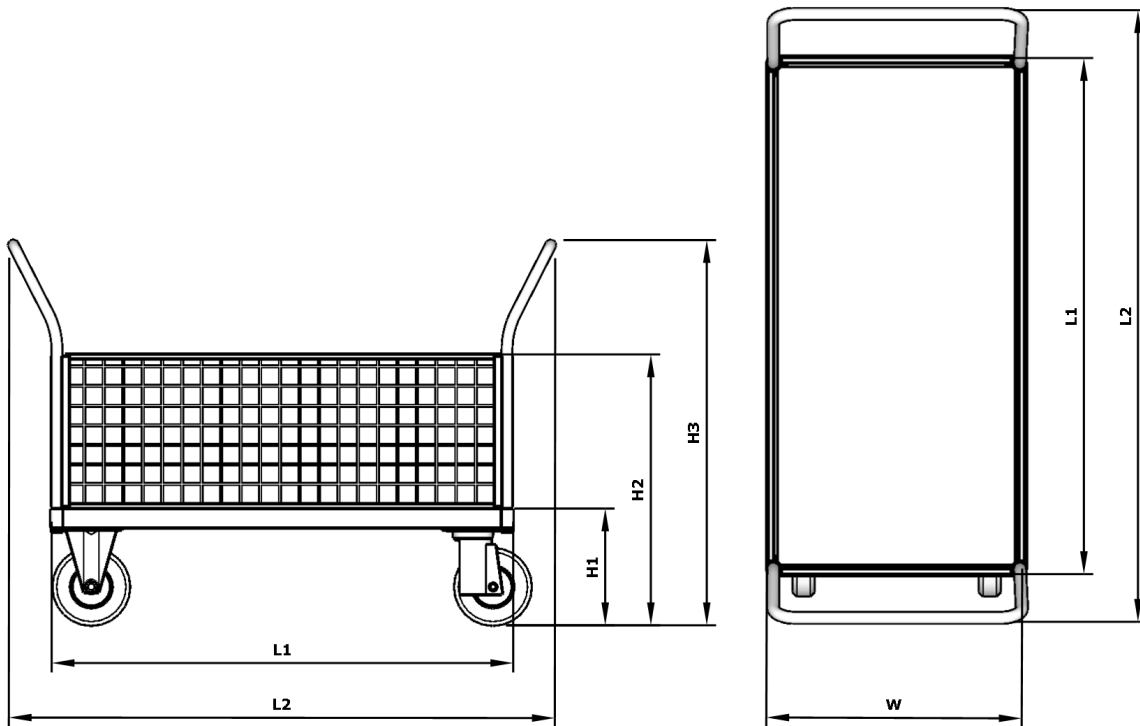
There are multiple options for bed sizes. The standard sizes for this model are: 1200mm x 600mm, 1200mm x 600mm



Handling Your Handling Needs
VAT Registration Number 836 905013
Company Number 4637039



Telephone (01803) 814522
 Dainton Manor Estate, Dainton,
 Nr Torquay, Devon, TQ12 5TZ
 sales@handle-it.com
 www.handle-it.com



(Diagram may not visually represent product and is only used to display size)

Item	Measurement
Capacity	500KG
Bed Length (L1)	1200mm
Bed Width (W)	600mm or 800mm
Base Height (H1)	290mm
Effective Cage Height	680mm
Wheel Size	200mm
Wheel Type	2 Fixed 2 Swivel with Brake



Handling Your Handling Needs
 VAT Registration Number 836 905013
 Company Number 4637039



Registered Office: 15 Dainton Manor Estate, Dainton, Nr Torquay, Devon TQ12 5TZ