

Telephone (01803) 814522  
 Dainton Manor Estate, Dainton,  
 Nr Torquay, Devon, TQ12 5TZ  
 sales@handle-it.com  
 www.handle-it.com



## HI-36-FFB RANGE Folding Trolley



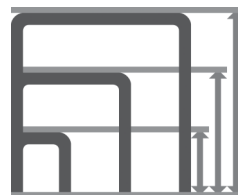
Folding Trolley, the HI-36-FFB is manufactured in the UK using the same high quality manufacturing process and materials as our now world famous Platform trucks and Turntable Trolley Ranges. Single Piece Laser cut frames, provide unrivalled strength from a remarkable low self weight. With a very

simple but effective folding mechanism, without any small springs or components to be lost, buckle or bent. Mounted on a choice of either our standard high quality 200mm solid wheels, or a 200mm Pneumatic castor to help negotiate rougher terrains. Topped with an 18mm weather proof plywood deck, and then finished in an epoxy powder coated frame which is not just very pretty but remarkably durable. As with all our made to order range these are available in almost any colour as well as stainless steel, aluminium or galvanised finish, please talk with your account manager.

### Options



As a standard, our trolleys are epoxy powder coated in Blue RAL5007 and stove baked, you can choose an alternative colour if you wish.



There are multiple options for bed sizes. The standard sizes for this model are: 1000mm x 600mm, 1200mm x 600mm



This model has the option to add rubber corner buffers to give the trolley a little extra protection.



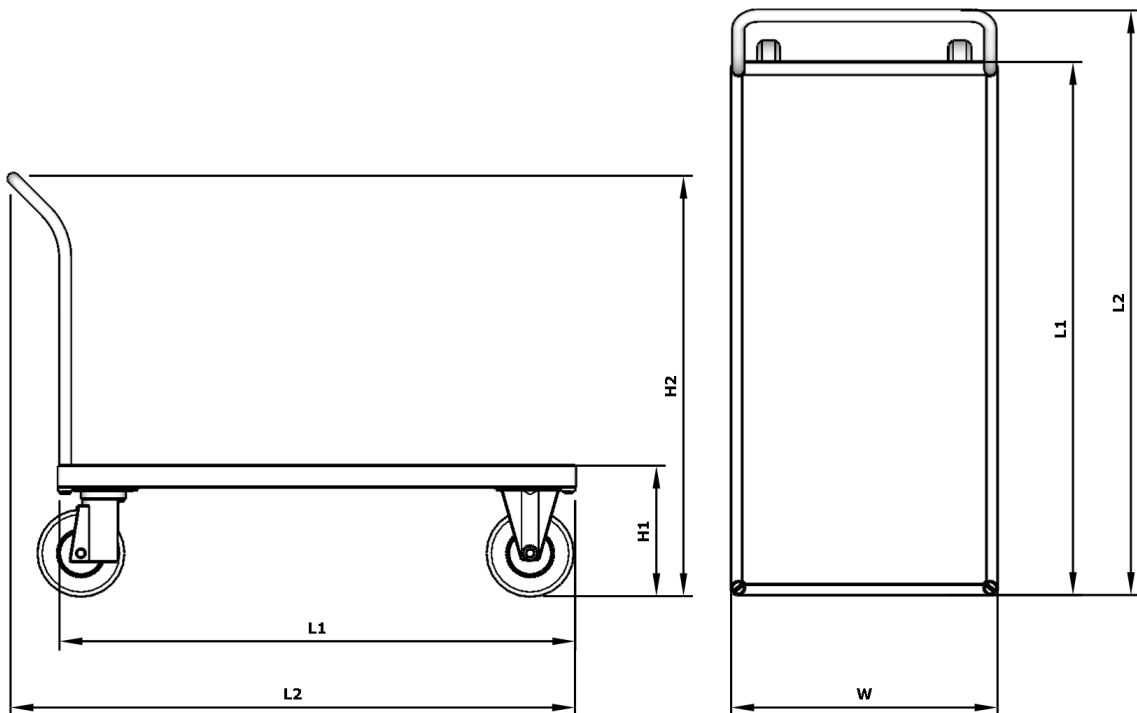
Safety straps are also available to accompany all our sac trucks for securing taller and heavier loads.



Handling Your Handling Needs  
 VAT Registration Number 836 905013  
 Company Number 4637039



Telephone (01803) 814522  
 Dainton Manor Estate, Dainton,  
 Nr Torquay, Devon, TQ12 5TZ  
 sales@handle-it.com  
 www.handle-it.com



| Item                | Measurement                   |
|---------------------|-------------------------------|
| Capacity            | 500KG                         |
| Bed Length (L1)     | 1000mm or 1200mm              |
| Bed Width (W)       | 600mm                         |
| Overall Height (H2) | 970mm                         |
| Base Height (H1)    | 286mm                         |
| Wheel size          | 200mm                         |
| Tyres               | 2 Fixed & 2 Swivel With Brake |



**Handling Your Handling Needs**  
 VAT Registration Number 836 905013  
 Company Number 4637039



Registered Office: 15 Dainton Manor Estate, Dainton, Nr Torquay, Devon TQ12 5TZ