

HI-36-FBT Heavy Duty Platform Trucks



Heavy Duty Platform Trucks, The HI-36-FBT platform truck. Constructed using the latest laser cutting facilities, the frame is made from one single piece of box section steel improving the overall strength of the unit, whilst making the corners rounded so as not to hurt ankles or your premises if bumped into. Each corner of the base is fitted with a tubular brackets that make the retro fitting of sides or additional ends a two minute job. A 25mm angle steel cross brace is welded on the underside for increased strength, and then laid with 18mm weather proofed ply. Mounted on 200mm diameter polypropylene centred wheels with a durable, yet forgiving rubber tyre.

Options



There are multiple options for bed sizes. The standard sizes for this model are: 1000mm x 600mm, 1200mm x 600mm, 1500mm x 750mm, 2000mm x 1000mm



Safety straps are also available to accompany all our sac trucks for securing taller and heavier loads.



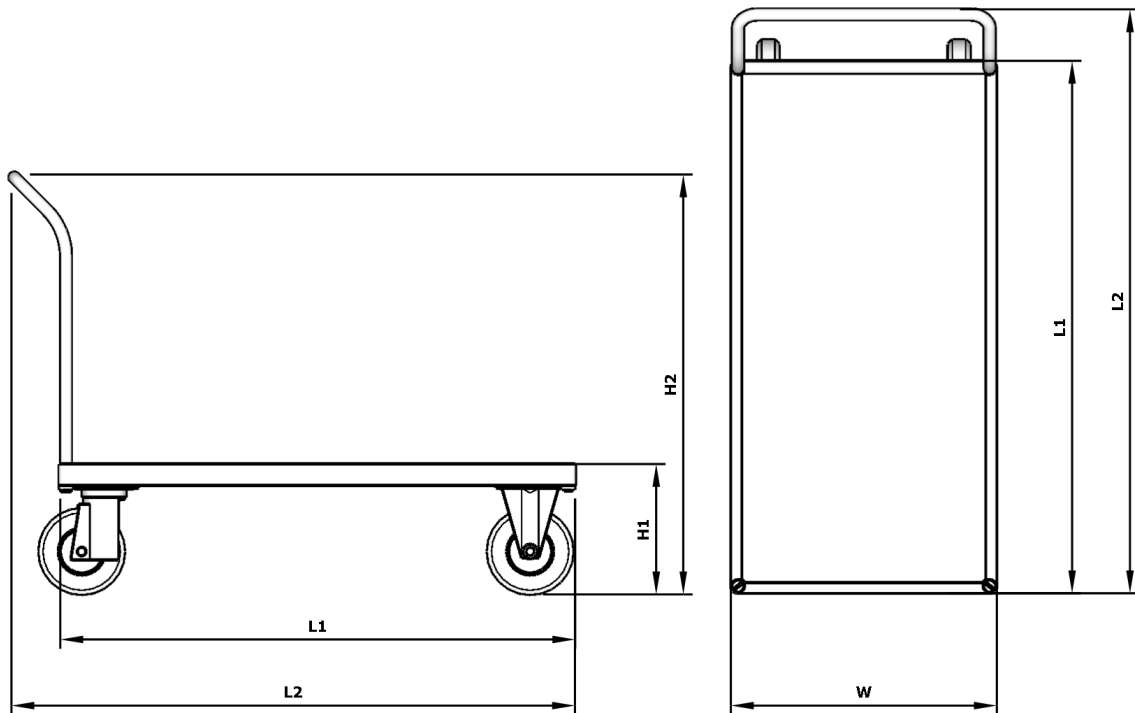
This model has an option for either Red centre w/black tyre, or Black centre w/grey non-marking tyre. Both types have 2 fixed and 2 swivel with break as standard, but also has the option for a deadmans break



Handling Your Handling Needs
 VAT Registration Number 836 905013
 Company Number 4637039



Telephone (01803) 814522
 Dainton Manor Estate, Dainton,
 Nr Torquay, Devon, TQ12 5TZ
 sales@handle-it.com
 www.handle-it.com



Item	Measurement
Capacity	500KG
Bed Length (L1)	1200/1500 or 2000mm
Bed Width (W)	600mm/750mm or 1000mm
Overall Height (H2)	970mm
Base Height (H1)	286mm
Wheel size	200mm
Tyres	2 Fixed & 2 Swivel With Brake



Handling Your Handling Needs
 VAT Registration Number 836 905013
 Company Number 4637039



Registered Office: 15 Dainton Manor Estate, Dainton, Nr Torquay, Devon TQ12 5TZ