

HI-36-FBT-P

Heavy Duty Platform Truck With Single Plastic End



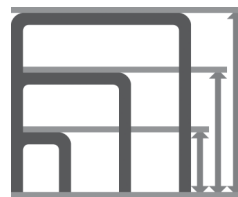
Heavy Duty Platform Truck With Single Plastic End, The HI-36-FBT platform trucks with plastic infill below the handle. Constructed using the latest laser cutting facilities, the frame is made from one single piece of box section steel. This improves the overall strength of the unit, whilst making the corners rounded so as not to hurt

ankles or your premises if bumped into. This also makes the retro fitting of sides or additional ends a two minute job. Cross braced with 25mm angle steel on the underside, for improved strength, and then laid with 6mm Polypropylene. Mounted on 200mm diameter polypropylene centred wheels with a durable, yet forgiving rubber tyre. Additional plastic ends or sides can be fitted to this trolley, for this option please see our platform trucks section

Options



As a standard, our trolleys are epoxy powder coated in Blue RAL5007 and stove baked, you can choose an alternative colour if you wish.



There are multiple options for bed sizes. The standard sizes for this model are:
1200mm x 600mm, 1500mm x 750mm, 2000mm x 1000mm



To add additional mesh sides or ends to this trolley please see our Platform Trucks section online on handle-it.com



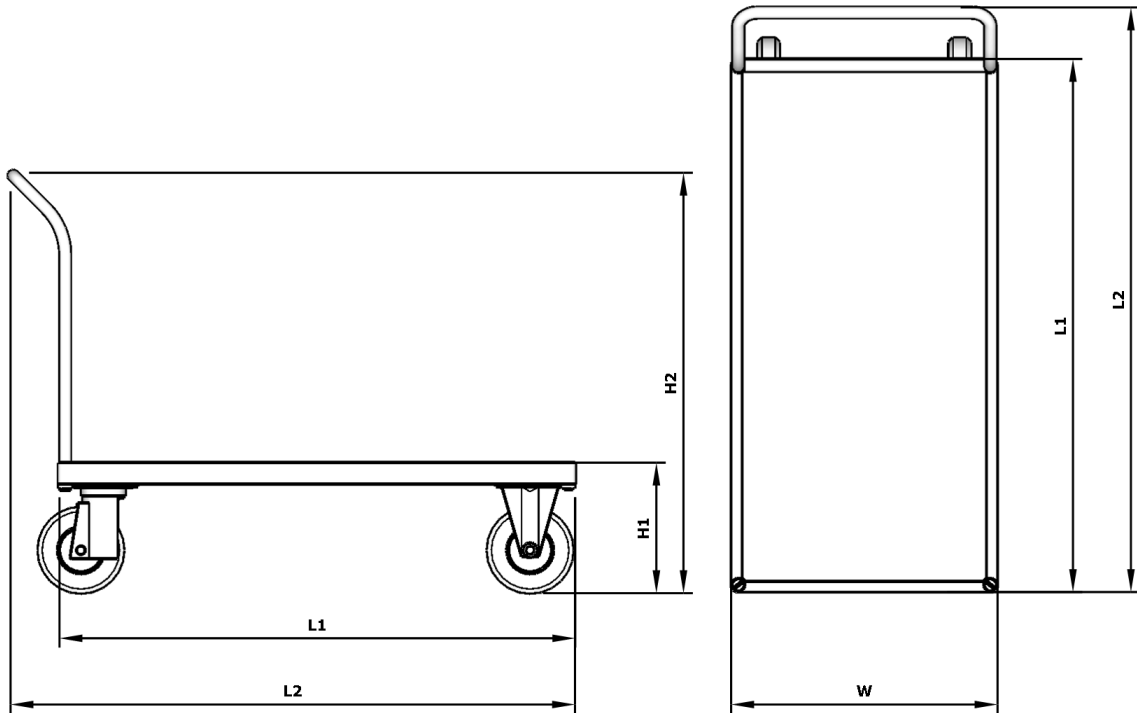
Safety straps are also available to accompany all our sac trucks for securing taller and heavier loads.



Handling Your Handling Needs
VAT Registration Number 836 905013
Company Number 4637039



Telephone (01803) 814522
 Dainton Manor Estate, Dainton,
 Nr Torquay, Devon, TQ12 5TZ
 sales@handle-it.com
 www.handle-it.com



Item	Measurement
Capacity	500KG
Bed Length (L1)	1200/1500 or 2000mm
Bed Width (W)	600mm/750mm or 1000mm
Overall Height (H2)	970mm
Base Height (H1)	286mm
Wheel size	200mm
Tyres	2 Fixed & 2 Swivel with Brake



Handling Your Handling Needs
 VAT Registration Number 836 905013
 Company Number 4637039



Registered Office: 15 Dainton Manor Estate, Dainton, Nr Torquay, Devon TQ12 5TZ