

HI-11H-PU Traditional Sack Truck



Traditional Sack Truck, part of the new sack truck design system. Supplied with a short foot plate this truck again is constructed from heavy duty 30 mm angle iron to give great strength. With the shorter foot plate this reduces the overall weight of the unit, allowing easier lifting on and off delivery vehicles. Supplied as standard with Pneumatic tires and topped off with fully cased ball bearing to give a smooth ride and long life. You can upgrade the tires to Polyurethane Foam Tyres' that will never puncture.



Options



Our 20mm solid Sack Truck axles can fit both traditional Pneumatic Wheels or upgrade to our Polyurethane Puncture Proof wheels. No more flat tyres or punctures increasing safety and productivity.



Our handles come with multiple grip options. The standard is a durable rubber grip, alternately we also supply a knuckle guard grip or a comfort foam grip.



3 toe plate size options are available for our standard range: 250mm / 350mm / 450mm.

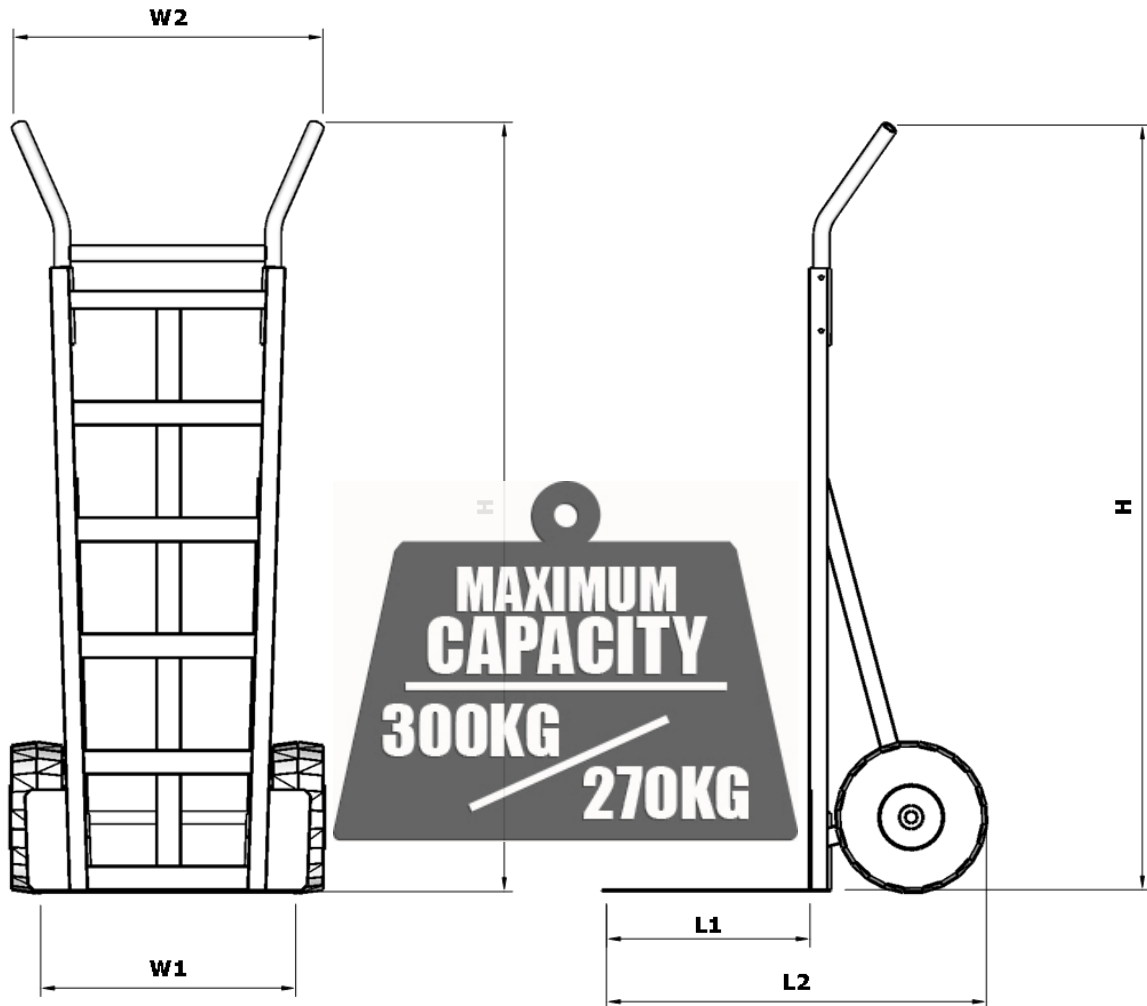


Safety straps are also available to accompany all our sac trucks for securing taller and heavier loads.



Handling Your Handling Needs
 VAT Registration Number 836 905013
 Company Number 4637039





Item	Measurement
Capacity	300Kg (270kg on Puncture Proofs)
Height (H)	1220mm
Width (W2)	560mm
Toe Plate Width (W1)	350mm
Toe Plate Length (L1)	220mm
Axle	20mm
Handle Type	H
Wheels	254mm
Tyres	Pneumatic or Polyurethane Puncture Proof



Handling Your Handling Needs
 VAT Registration Number 836 905013
 Company Number 4637039

