

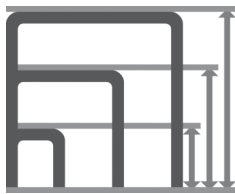
## Double Ended Mesh Platform Truck



The Double Ended Mesh Platform Truck part of the HI-36-MT. Mesh sided platform truck or cage trolley, can be made to whatever size you want, 1,2,3, or 4 sided trolley. The sides can be removable, gated hinge, or drop down fronts. Even the materials used can be chosen in our made to order section. Use

plastic, wood, mesh or sheet steel; or if there is something that you think we should be offering, make the suggestion to your account manager and I am sure we can offer it to you. Click here to see wheel options available for our platform trucks.

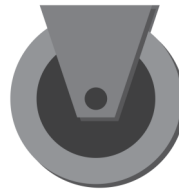
### Options



There are multiple options for bed sizes. The standard sizes for this model are: 1200mm x 600mm, 1500mm x 750mm, 2000mm x 1000mm



Safety straps are also available to accompany all our products for securing taller and heavier loads.



This model has an option for White nylon w/red polyurethane tyre, Red centre w/black tyre, or Black centre w/grey non-marking tyre.



Both types have 2 fixed and 2 swivel with break as standard, but also has the option for a deadmans break

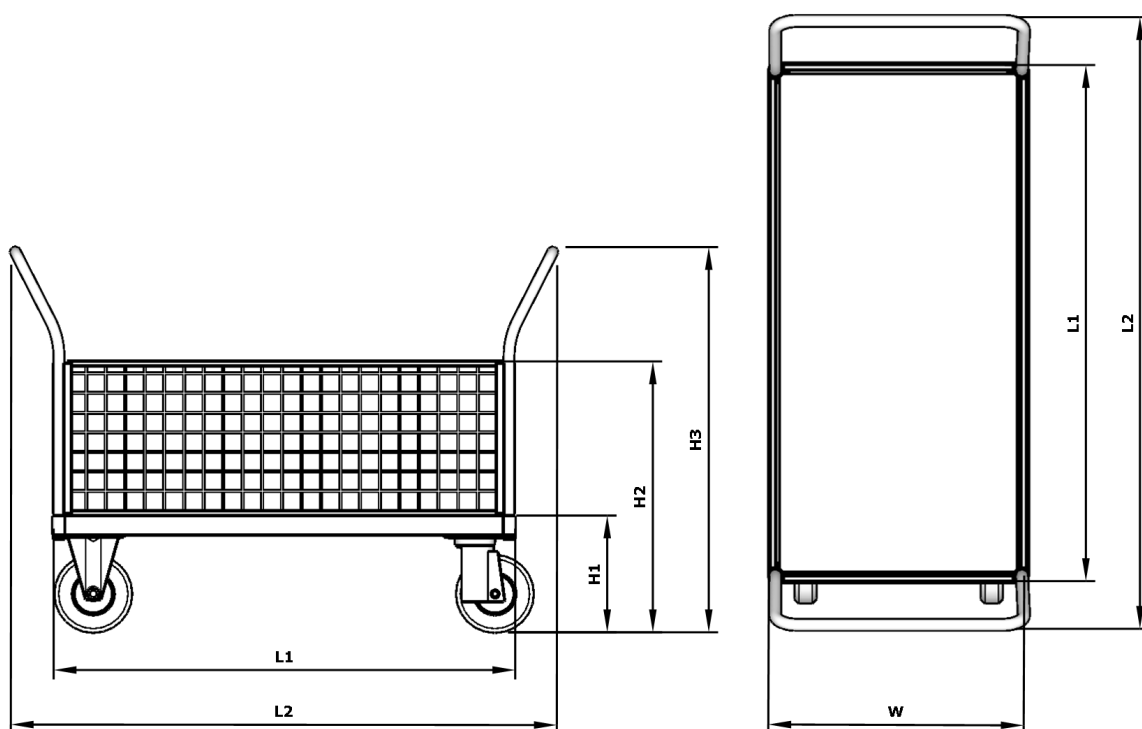


Handling Your Handling Needs  
 VAT Registration Number 836 905013  
 Company Number 4637039



Telephone (01803) 814522  
 Dainton Manor Estate, Dainton,  
 Nr Torquay, Devon, TQ12 5TZ  
 sales@handle-it.com  
 www.handle-it.com

# Handle-it



(Diagram may not visually represent product and is only used to display size)

Item	Measurement
Capacity	500KG
Bed Length (L1)	1200mm, 1500mm or 2000mm
Bed Width (W)	600mm, 750mm or 1000mm
Wheel Size	200mm
Wheel Type	Castor
Tyre Type	Optional



**Handling Your Handling Needs**  
 VAT Registration Number 836 905013  
 Company Number 4637039

