

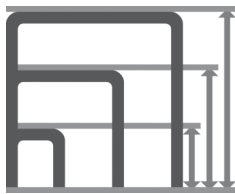
3 Sided Ply Board Platform Truck or Box Trolley



3 Sided Ply Board Platform Truck, The HI-36-BT Ply board platform truck range or box trolley, can be made to whatever size you want, The sides are made from 18mm weather proof plywood and are easily removable, and the whole trolley is deigned using our laser cut modular system. This

means that you can retrospectively add sides at a later stage. In this range we can also use plastic, mesh or sheet steel..... or if there is something that you think we should be offering make the suggestion to your accounts manager and I am sure we can offer it to you. Click here to see wheel options available for our platform trucks.

Options



There are multiple options for bed sizes. The standard sizes for this model are: 1200mm x 600mm, 1500mm x 750mm, 2000mm x 1000mm



Safety straps are also available to accompany all our products for securing taller and heavier loads.



This model has an option for White nylon w/red polyurethane tyre, Red centre w/black tyre, or Black centre w/grey non-marking tyre.



Both types have 2 fixed and 2 swivel with break as standard, but also has the option for a deadmans break

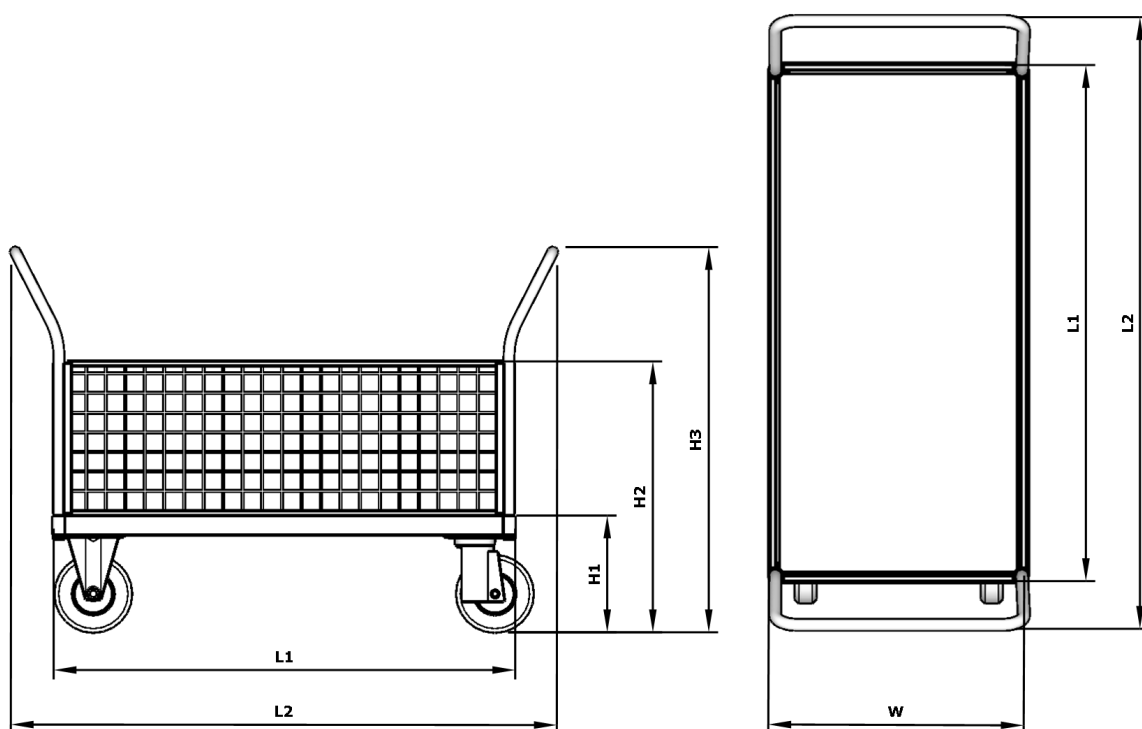


Handling Your Handling Needs
 VAT Registration Number 836 905013
 Company Number 4637039



Telephone (01803) 814522
 Dainton Manor Estate, Dainton,
 Nr Torquay, Devon, TQ12 5TZ
 sales@handle-it.com
 www.handle-it.com

Handle-it



(Diagram may not visually represent product and is only used to display size)

Item	Measurement
Capacity	500KG
Bed Length (L1)	1200mm, 1500mm or 2000mm
Bed Width (W)	600mm, 750mm or 1000mm
Wheel Size	200mm
Wheel Type	Castor
Tyre Type	Optional



Handling Your Handling Needs
 VAT Registration Number 836 905013
 Company Number 4637039



Registered Office: 15 Dainton Manor Estate, Dainton, Nr Torquay, Devon TQ12 5TZ