

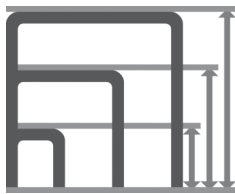
## 3 Sided Mesh Platform Truck or Cage Trolley



3 Sided mesh platform truck or cage trolley. The HI-36-MT Range of mesh sided platform truck and trolleys, are a modular design trolley that allow you to configure; one, two or three panels at any one time depending on the load you are carrying. The range can be made to whatever size you require.

Further sides can also be specified: gated hinge, drop down or alternatively retro fitted at a later date. We can also use a range of materials for the sides including: plastic, wood, or sheet steel. If there is something that you think we should be offering please make the suggestion to your account manager; we are happy to make products to meet your needs.

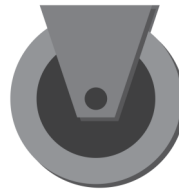
### Options



There are multiple options for bed sizes. The standard sizes for this model are: 1200mm x 600mm, 1500mm x 750mm, 2000mm x 1000mm



Safety straps are also available to accompany all our products for securing taller and heavier loads.



This model has an option for White nylon w/red polyurethane tyre, Red centre w/black tyre, or Black centre w/grey non-marking tyre.



Both types have 2 fixed and 2 swivel with break as standard, but also has the option for a deadmans break

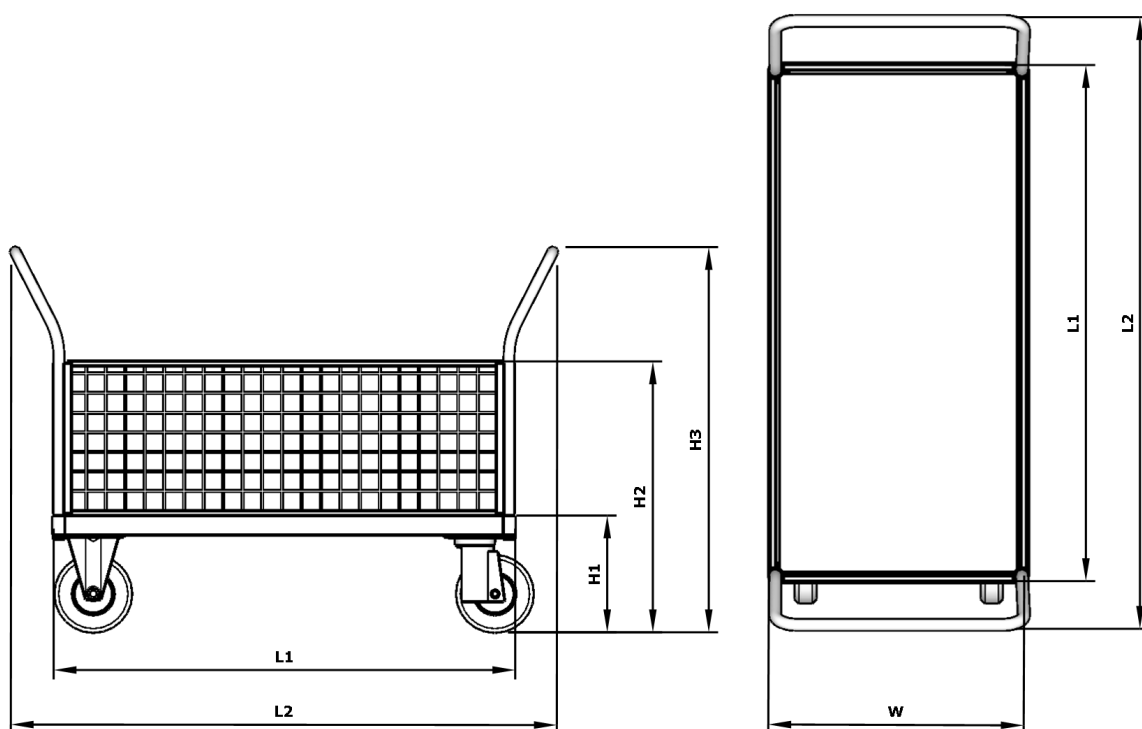


Handling Your Handling Needs  
 VAT Registration Number 836 905013  
 Company Number 4637039



Telephone (01803) 814522  
 Dainton Manor Estate, Dainton,  
 Nr Torquay, Devon, TQ12 5TZ  
 sales@handle-it.com  
 www.handle-it.com

# Handle-it



(Diagram may not visually represent product and is only used to display size)

Item	Measurement
Capacity	500KG
Bed Length (L1)	1200mm, 1500mm or 2000mm
Bed Width (W)	600mm, 750mm or 1000mm
Wheel Size	200mm
Wheel Type	Castor
Tyre Type	Optional



Handling Your Handling Needs  
 VAT Registration Number 836 905013  
 Company Number 4637039



Registered Office: 15 Dainton Manor Estate, Dainton, Nr Torquay, Devon TQ12 5TZ