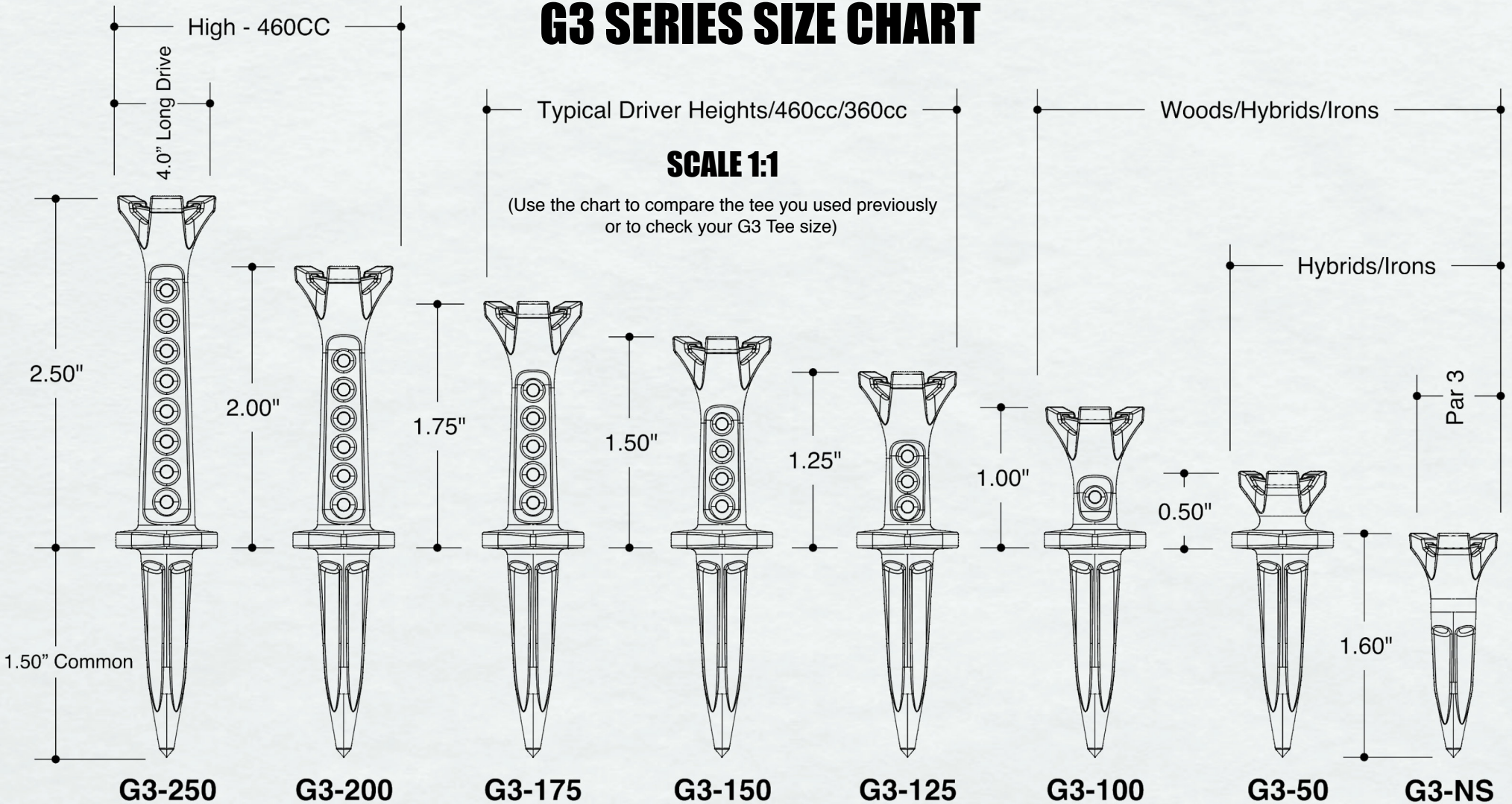


G3 SERIES SIZE CHART



TIPS

- The tee name is the height: G3-175 is 1.75" above ground, etc.
- Use the shoulder to insert the tee (Don't use the ball)
- Insert the tee with the "Arrow and Holes Towards Target"
- The tee has a "Flex" shaft so if it comes out, look directly behind or forward from where it was placed.
- It's helpful to pick a different color for each driver tee you use.
- The New G3-NS is a "No Shoulder" tee. Perfect for Par 3's

