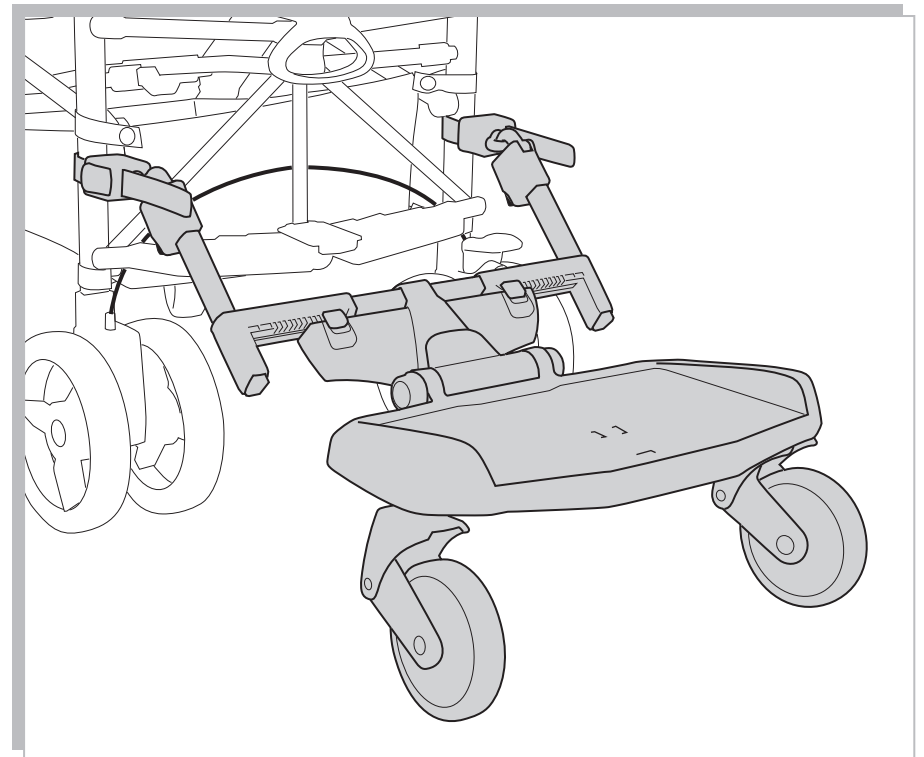


SEGBOARD

2013.04.03 / BD003U

Stroller board *BD003U*

- ▲ Suitable Age: 2 ~ 5 years old
- ▲ Maximum Weight: 20 kgs (44 lbs)
- ▲ Read these instructions carefully before use and keep them for future reference. Your child's safety may be affected if you do not follow these instructions.



OPERATING INSTRUCTIONS

6. MAINTENANCE

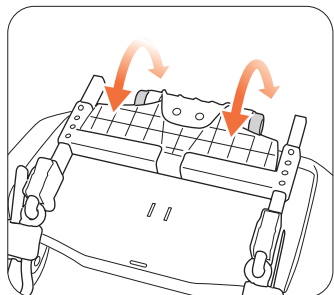
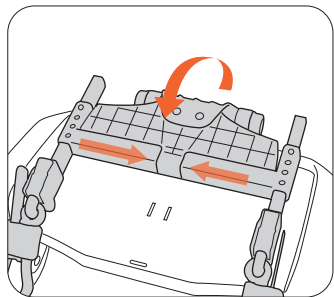
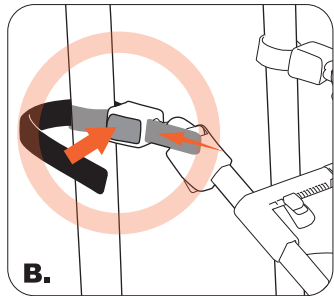
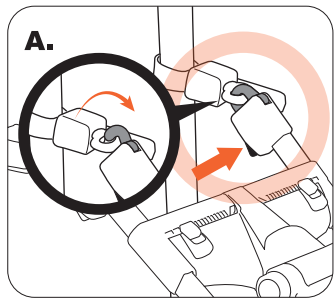
- > Use the lubrication oil to lubricate all moving parts regularly.
- > Ensure there is no dirt or gravel stuck in the wheels or other parts before using.
- > Ensure to wipe and dry all the parts of Segboard after using in the rainy weather.
- > Use the warm water and dry cloth to clean. All parts should be lubricated again after cleaning.
- > The performance of Segboard may be affected if it did not maintenance properly.
- > Read these instructions carefully before use and keep them for future reference. Your child's safety may be affected if you do not follow these instructions.

WARNING

- ▲ The intended use is for 1 child at a time, approximate age of 2 years old, maximum weight of 22 kgs (44 lbs)
- ▲ Always keep your hands on the stroller when the child is standing on the Segboard. **NEVER LEAVE THE CHILD UNATTENDED.**
- ▲ Ensure the child is standing with both feet on the anti-slip part of the board.
- ▲ Always check the all parts of Segboard and functions can work properly, and are securely attached before each use.
- ▲ Do NOT use the Segboard if there are any broken, torn or missing parts.
- ▲ Never let children play with the Segboard, it is not a toy.
- ▲ Ensure all the connectors are tightened securely before each use.
- ▲ Never engage the stroller parking brake while your child is standing on the Segboard.
- ▲ The use of any accessories with the Segboard that have not been approved by the manufacture is NOT recommended.
- ▲ Note that different or any accessories that is not made from the same manufacturer, may limit the warranty on the stroller and Segboard.

The standing board is approved according to European standard. EN-1888:2003, 6.1.1, 6.1.2, 6.1.3, 6.1.4, 6.1.5, 7.2.2.6, 17, 18 and 21.4.23.

OPERATING INSTRUCTIONS



4. Detaching the Segboard

▲ **Caution!** Please ensure to remove the Segboard before collapsing or storing your stroller.

① Method A:

Press and hold the both connector buttons to release the hooks from the connector straps.

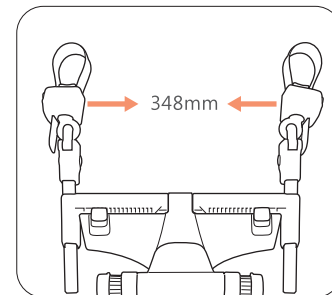
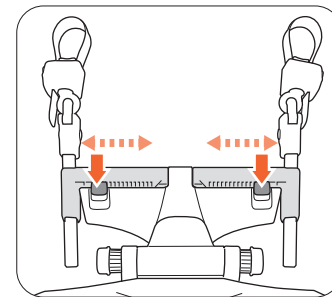
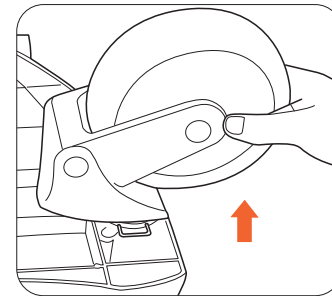
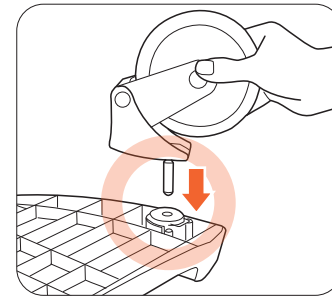
▲ The connector straps can keep attaching on the stroller frame if not affect the stroller folding.

Method B: Detach the connector straps
Press the buttons to release from the straps.

② Adjust the connector base inward to the minimum space. Loosen the angle adjuster and turn the connector base set to fold on the board.

③ Fold the connector base set to the minimum space with the board. Then, tighten the angle adjuster.

OPERATING INSTRUCTIONS



1. Wheels

Attach

Place the main board upside down on a flat surface. Push the wheels firmly into the intended support holes until you hear a "click".

Detach

Hold the wheels. Then, force to pull out the wheels.

2. Connector Instruction

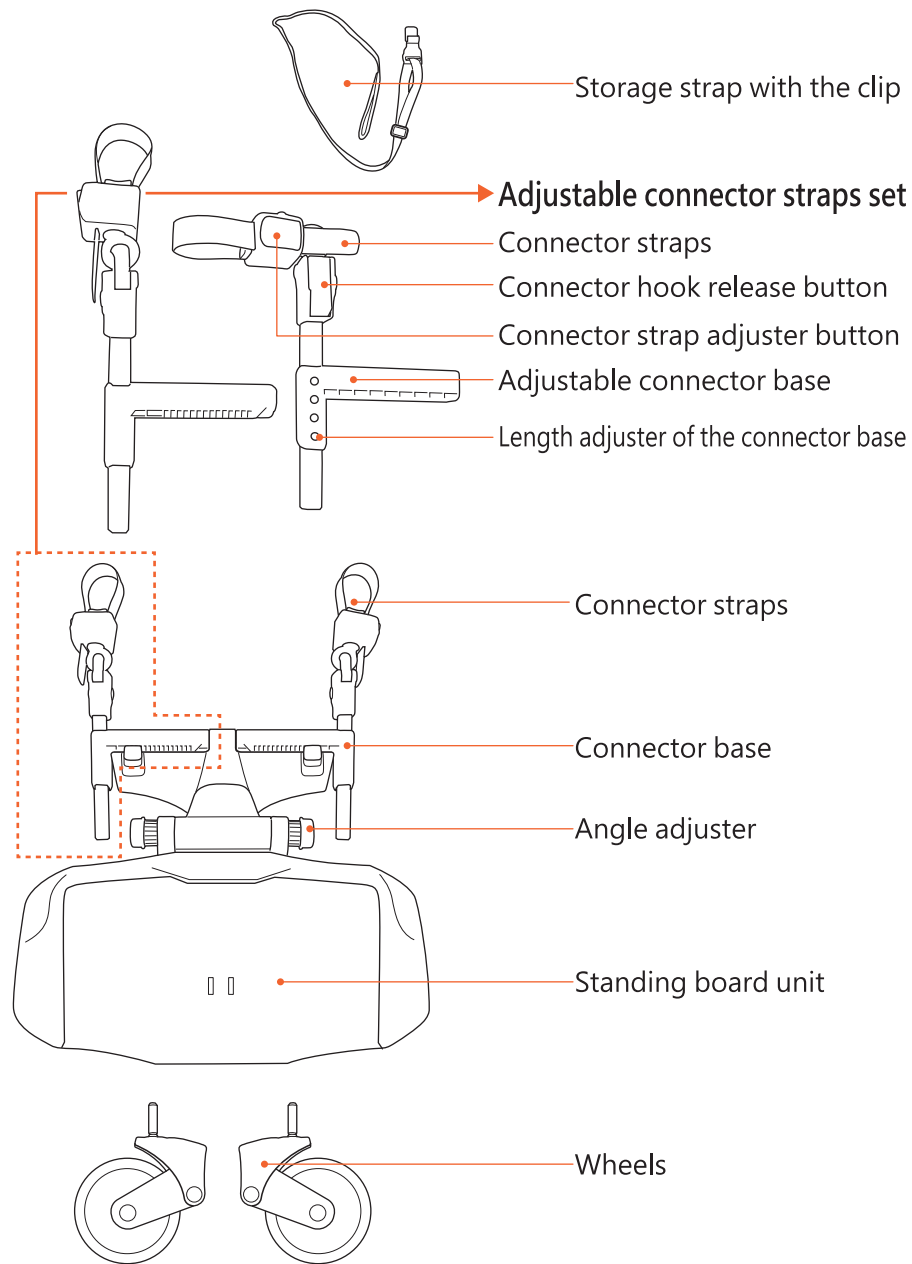
Adjust the width of the connector base

Press the both buttons to adjust the width of the connector base.

▲ **Caution!** Both sides are must setting to an equal distance.

Minimum Width: 348mm.

ALL PARTS INCLUDED

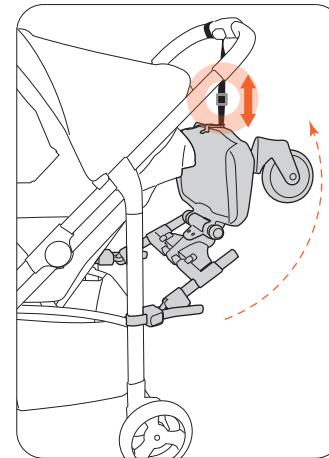
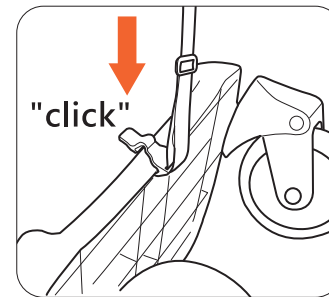


OPERATING INSTRUCTIONS

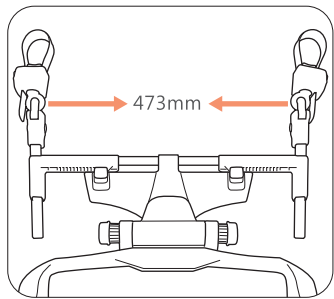
5. Temporary Storage

▲ When you are NOT using the Segboard, please be sure to hang it from the back of your stroller to avoid creating a possible tripping hazard.

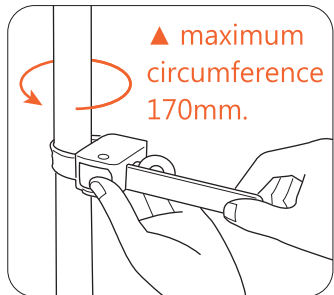
- 1 Attach the storage strap on the stroller handle. Hang the Segboard on the highest position behind the stroller. Then, fix the storage strap with the clip on the board.
- 2 Adjust the storage strap to the suitable length.



OPERATING INSTRUCTIONS



Maximum Width: 473mm.

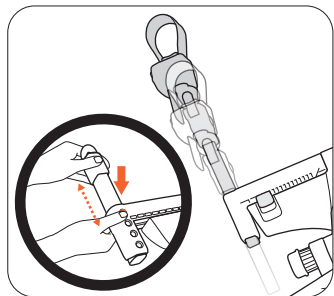


▲ maximum circumference 170mm.

The straps can fix on the stroller tube for maximum circumference 170mm.

▲ **Caution!**

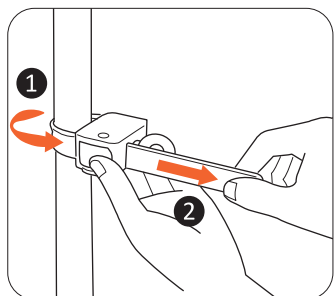
- (1) Ensure the connector straps will NOT moving when fix on the stroller rear tube.
- (2) Ensure the stroller brake system can work properly when attaching the connector straps.



Adjust the connector length

According to your stroller and press the length adjuster button to the suitable connector length.

▲ The extension base can extend the length to more 45 mm.



3. Attaching the Segboard

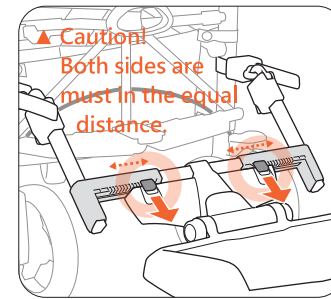
Attach the connector straps

- ① Fix the connector straps on the stroller rear tube.
- ② Through the connector straps to the adjuster button and then tighten the connector straps.

▲ **Caution!** Ensure the connector straps are in the fixed position and NOT moving.

4

OPERATING INSTRUCTIONS

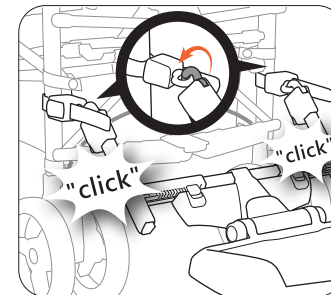


▲ **Caution!** Both sides are must in the equal distance.

Adjust to the suitable width

Adjust the connector base to the suitable width.

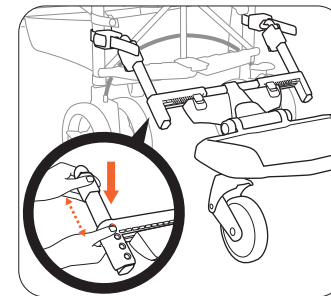
▲ **Caution!** Both sides are must in the equal distance.



Attach the connector base

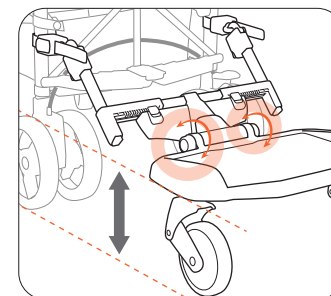
Place the connector hook on the connector strap loop. Press forward to click into the connector button groove to complete.

▲ **Caution!** Ensure that your stroller is capable of bearing the load created by the board and extra child. Weak tubes or axles may bend or break under excessive loads.



Adjust to the suitable length

Adjust the length of the connector base.



Adjust to the suitable angle

Loosen the angle adjuster, adjust and tighten until the main board is fixed in a flat position.

▲ **Caution!** Ensure the main board is fixed in a flat position. If not, move the board slightly forward, and the suspension system will balance the board once your child steps upon it.

5