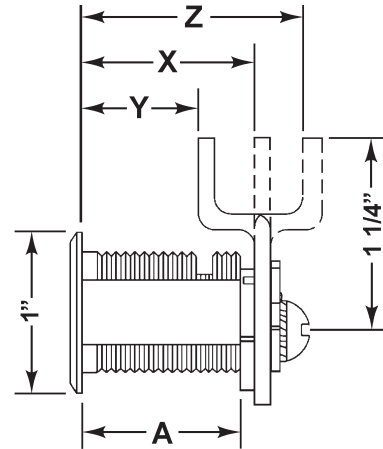


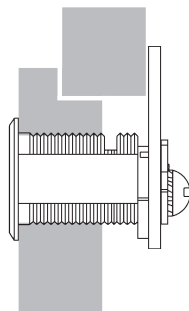
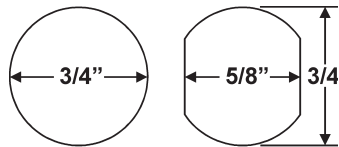
DCR Series

Cam Lock Dimensions

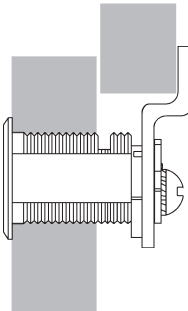
	For Mat. Thickness	Straight Cam (X)	Inbent Cam (Y)	Outbent Cam (Z)	Cylinder Length (A)
DCR1	3/4"	1-1/16"	3/4"	1-3/8"	1"
DCR2	7/8"	1-3/16"	7/8"	1-1/2"	1-1/8"
DCR3	1-1/8"	1-7/16"	1-1/8"	1-3/4"	1-3/8"
DCR4	1-1/2"	1-13/16"	1-1/2"	2-1/8"	1-3/4"



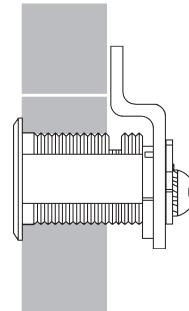
Mounting Cutout



**Lipped/
Overlay**



Overlay



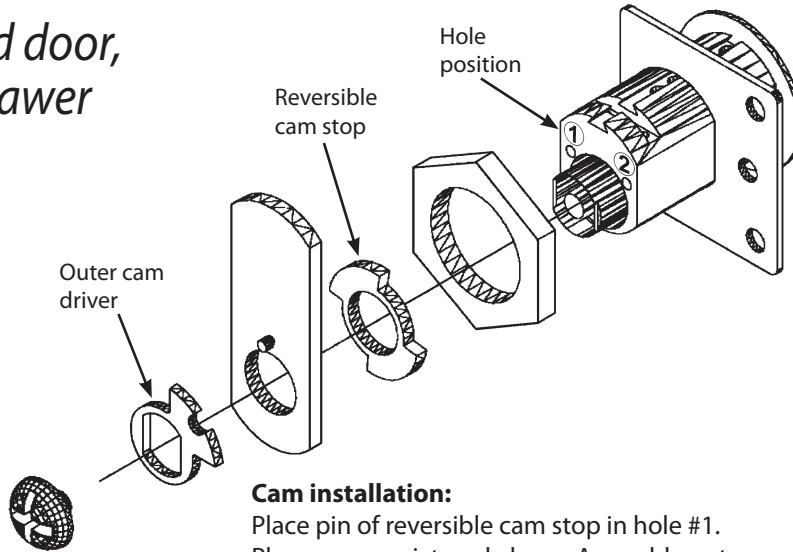
Flush

DCR All below configurations can be used with straight cam or offset cam (in either the inbent or outbent position).

Function:
right-hand door,
vertical drawer



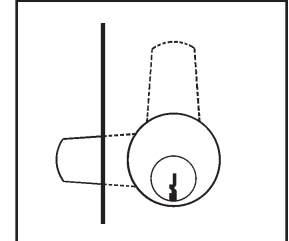
Rear view



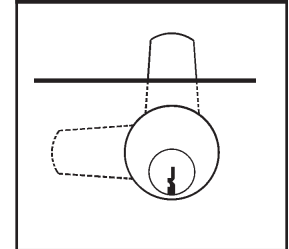
Cam installation:

Place pin of reversible cam stop in hole #1. Place cam as pictured above. Assemble outer cam driver so that the pin from the cam is to left of the "ears." Screw in cam screw until tight.

DOOR



360° key rotation
Key removable at cam
positions 9:00 and 12:00

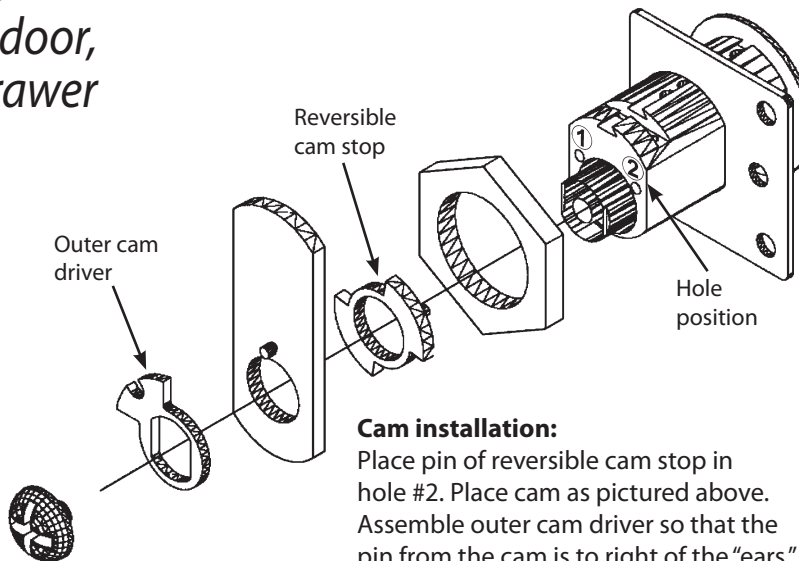


DRAWER

Function:
left-hand door,
vertical drawer



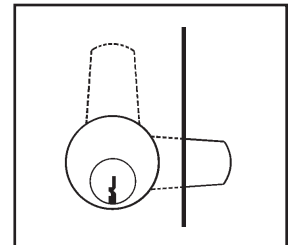
Rear view



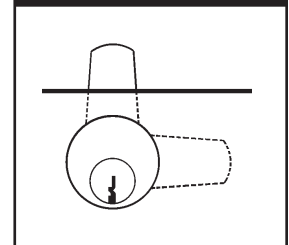
Cam installation:

Place pin of reversible cam stop in hole #2. Place cam as pictured above. Assemble outer cam driver so that the pin from the cam is to right of the "ears." Screw in cam screw until tight.

DOOR

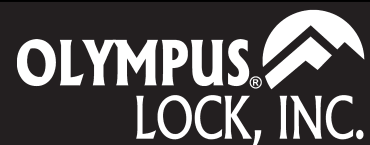


360° key rotation
Key removable at cam
positions 12:00 and 3:00



DRAWER

Title Installation instructions for DCR series cam lock				
Series DCR	Barrel Length See Chart	Bolt type Cam Lock	Mounting Surface	Revision Date 11/2012

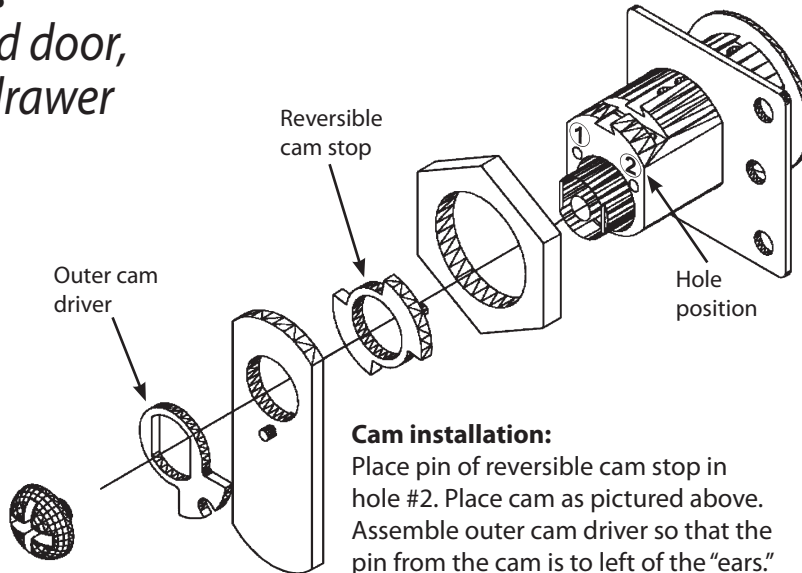


DCR All below configurations can be used with straight cam or offset cam (in either the inbent or outbent position).

Function:
right-hand door,
inverted drawer

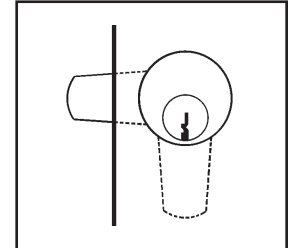


Rear view

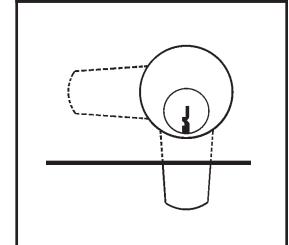


Cam installation:
Place pin of reversible cam stop in hole #2. Place cam as pictured above. Assemble outer cam driver so that the pin from the cam is to left of the "ears." Screw in cam screw until tight.

DOOR



360° key rotation
Key removable at cam positions 6:00 and 9:00

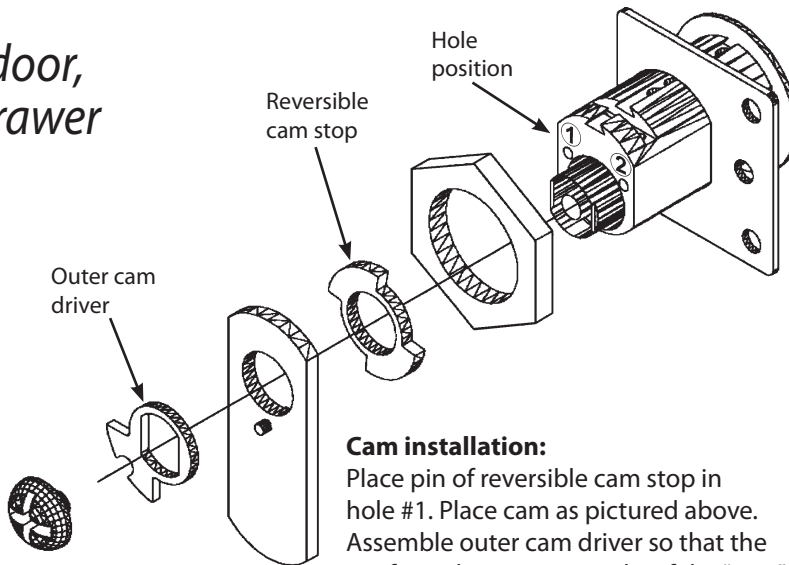


DRAWER

Function:
left-hand door,
inverted drawer

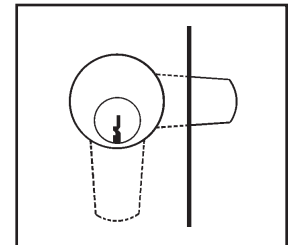


Rear view

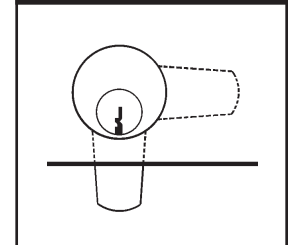


Cam installation:
Place pin of reversible cam stop in hole #1. Place cam as pictured above. Assemble outer cam driver so that the pin from the cam is to right of the "ears." Screw in cam screw until tight.

DOOR



360° key rotation
Key removable at cam positions 3:00 and 6:00



DRAWER

Title Installation instructions for DCR series cam lock				
Series DCR	Barrel Length See Chart	Bolt type Cam Lock	Mounting Surface	Revision Date 11/2012

