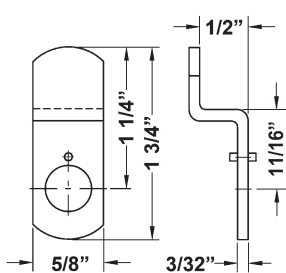


## ► Offset Cams For B7, DCN, DCR

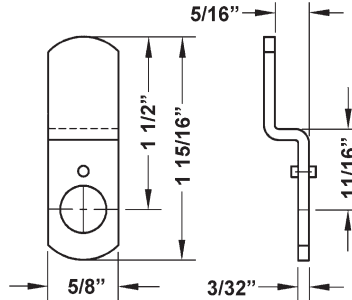
- DCNP-100-BC5.....1/2" offset cam
- DCNP-100-LBC.....long offset cam
- DCNP-100-HD.....1-7/16" heavy duty offset cam
- DCNP-100-HD2.....1-3/4" heavy duty offset cam
- DCNP-100-HD3.....1/8" heavy duty offset cam
- DCNP-100-HC1.....offset hook cam

### SPECIFICATIONS

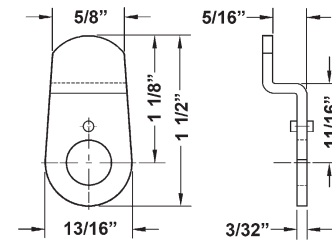
DCNP cams work with our 3/4" cam lock series DCN, DCR or B7. All offset cams are reversible and can be used in either the inbent or outbent position. See the applicable product page for accessories that ship standard with each product.



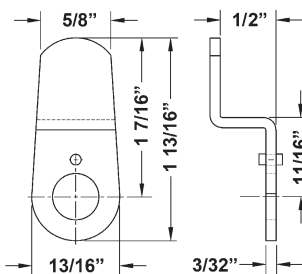
**DCNP-100-BC5**  
1/2" offset cam



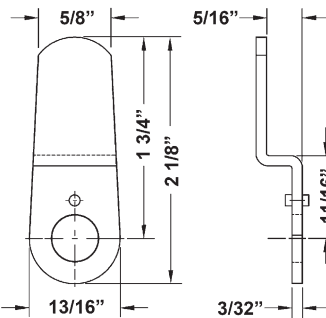
**DCNP-100-LBC**  
15/16" offset cam



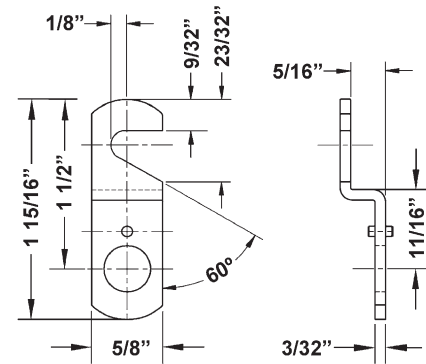
**DCNP-100-HD3**  
1-1/8" heavy duty offset cam



**DCNP-100-HD**  
1-7/16" heavy duty offset cam



**DCNP-100-HD2**  
1-3/4" heavy duty offset cam



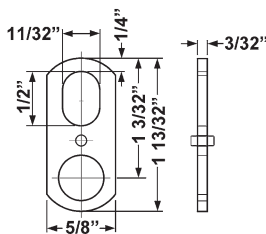
**DCNP-100-HC1**  
offset hook cam

## ► Specialty Cams For B7, DCN, DCR

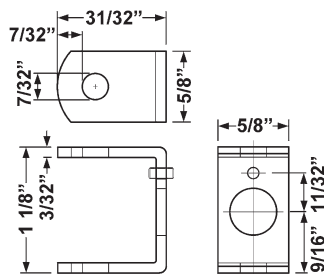
- DCNP-100-B1.....Straight 1-3/32" long with oval cutout
- DCNP-100-B2.....U-shaped bent cam
- DCNP-100-B3.....Straight hook cam
- DCNP-100-WB.....short cam with perpendicular arm

### SPECIFICATIONS

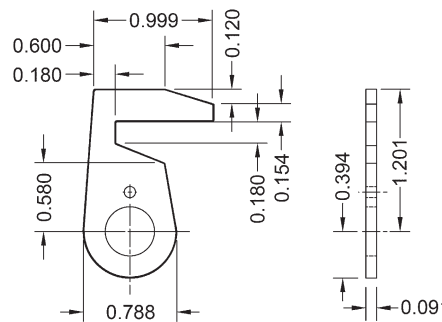
DCNP cams work with our 3/4" cam lock series DCN, DCR or B7. All offset cams are reversible and can be used in either the inbent or outbent position. See the applicable product page for accessories that ship standard with each product.



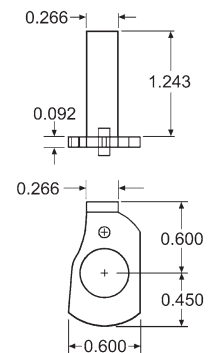
**DCNP-100-B1**  
straight cam w/cutout



**DCNP-100-B2**  
U-shaped cam



**DCNP-100-B3**  
straight hook cam



**DCNP-100-WB**  
short cam with perpendicular arm

## ► Straight Cams For B7, DCN, DCR

- DCNP-HD-875 ..... 7/8" heavy duty straight cam
- DCNP-HD-1 ..... 1" heavy duty straight cam
- DCNP-100-SC3 ..... 1-1/2" heavy duty straight cam
- DCNP-100-SC2 ..... 1-3/4" heavy duty straight cam
- DCNP-100-LC ..... 3" heavy duty straight cam

### SPECIFICATIONS

DCNP cams work with our 3/4" cam lock series DCN, DCR or B7. All offset cams are reversible and can be used in either the inbent or outbent position. See the applicable product page for accessories that ship standard with each product.

**APPLICATION NOTE**  
Use the DCNP-HD-875 cam with our DCN2 series cam locks to retrofit Hollman Lockers brand keyed cam locks.

**DCNP-HD-875**  
7/8" heavy duty cam

**DCNP-100-LC**  
3" heavy duty straight cam

**DCNP-100-SC3**  
1-1/2" heavy duty straight cam

**DCNP-100-SC2**  
1-3/4" heavy duty straight cam

**DCNP-HD-1**  
1" heavy duty straight cam

## ► Other Accessories For B7, DCN, DCR

**DCNP-300-FP**  
Finger pull for use with DCN and DCR series cam locks. Eliminates need for additional cabinet pull. Mounts between front of cam lock and cabinet face. Stainless steel finish.

**KEY-RETAINING CAM SHIFTERS**

**DCNP-200-KR**  
key-retaining drawer cam shifter

**DCNP-200-KDR**  
key-retaining door cam shifter

**NUMBER PLATES & KITS**

**T37-NKIT**  
Number Plate Kit  
For use with B7 or T37 only

**T37DC-NP**  
Number Plate  
For use with DCN, DCR, B7, T37

**WASHERS**

**DCNP-SPW**  
pronged wood washer

**DCNP-GW**  
self-adhesive clear plastic washer for mounting lock on glass