

CLXC-P Series Single Jet Totalizing Water Meter

5/8 x 3/4 Size, With or Without Reed Switch Output

DESCRIPTION

Model series CLXC-P meters are single-jet dry type totalizing water meters. They are an ideal choice for a range of sub-metering applications for apartment and commercial buildings as well as marinas, RV and camping parks etc.

An optional pulse/reed switch output is available.

CLXC-P meters are accurate and reliable. They are produced in an ISO9001 certified production facility and are constructed in conformance with AWWA standard C712-10.



CLXC-P is certified by Water Quality Association to meet ANSI/NSF 61 for materials safety and ANSI/NSF 372 for lead free compliance.

SPECIFICATIONS

GENERAL

Measuring Principle: Single Jet

Meter Type: Dry, magnetic coupling between rotor and register movement

Meter Size: 5/8 x 3/4

Max Media Temperature:

Cold Water Meter: 122°F (50°C)

Hot Water Meter: *149°F (65°C)

*WQA tested & certified 140°F (60°C)

Max Operating Pressure: 150 PSI

Materials:

Meter Body, Inlet filter, coupling: GV-5 FWA is a 50% glass fibre reinforced engineering thermoplastic material

Other Materials: See Table 2

Registration Accuracy, with water <80°F (27°C):

Normal Test Flow Range (Table 1): ±1.5% (The meter will register 98.5% to 101.5% of the water that passes through it)

At Minimum Flow (Table 1): -5%, +1.0% (The meter will register 95% to 101.0% of the water that passes through it)

Pressure Drop: 15 PSI Max, see pressure drop curves

Installation: Horizontal orientation recommended

Casing Spud Connections: External straight threads according to ANSI/ASME B1.20.1. See Dimensions, Connections and Weights (Table 2) for details.

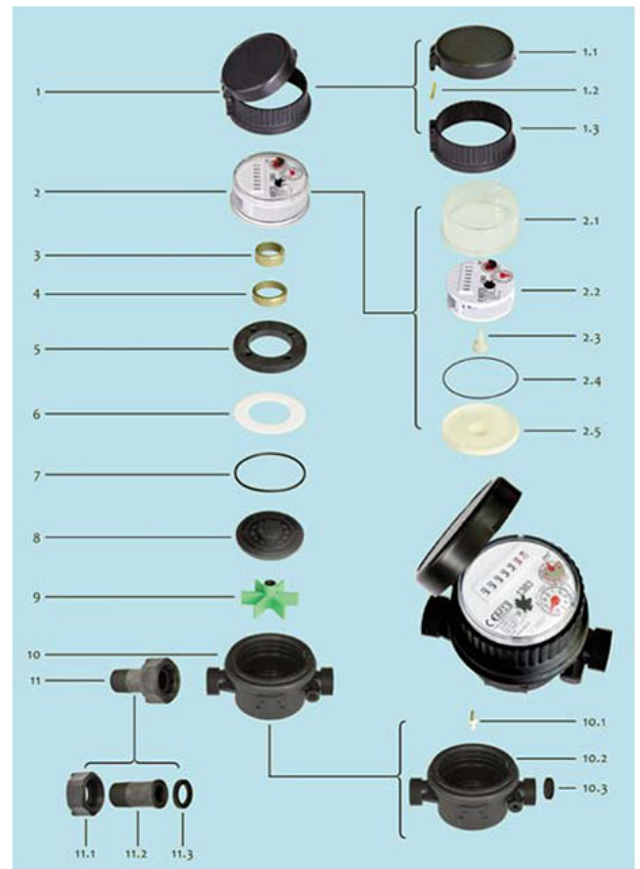
Standard Accessories: Each meter is supplied with meter coupling (tailpiece) sets; includes 2 couplings and 2 gaskets

Model	Max. Flow GPM	Nom. Flow GPM	Min. Flow GPM	Normal Test Flow Limits GPM	Min. Major Dial Division Reading	Max. Reading	Pulse Output Option
CLXC-P-20D	22 GPM	11.00	0.22	1-22	0.01G 0.1L .0001m ³	9999999 G 99999999 L 99999 m ³	1P/1G 1P/ 10G 1P/10 L 1P/100L 1P/.01 m ³ 1P/.1 m ³

Meter Dial Layout



Table 2 Meter Parts				
No.	Description	Material Cold Water Meter	Material Hot Water Meter	Wetted Non-Wetted
1	Lid Assembly			
1.1	Lid	ABS	ABS	Non-Wetted
1.2	Pin	Copper		
1.3	Cap	ABS	ABS	
2	Register	PC, Rubber Gasket, POM, Stainless Steel, LDPE, Agate, Magnet	PC, Rubber Gasket, POM, Stainless Steel, Agate, Magnet	Non-Wetted
3	Magnet Protection	Industrial Pure Iron		
4	Magnet Protection	Industrial Pure Iron		
5	Inner Screw Ring	PPO		
6	Gasket	POM		
7	O=Ring	EPDM		Wetted
8	Pressure Plate	PA		
9	Impeller Assembly			
	Pivot	Stainless Steel		Wetted
	Magnet	Ferrite		
	Impeller	PP		
	Lining	CFPA		
10	Body Parts			
10.1	Pivot	POM, Stainless Steel		Wetted
10.2	Body	PA		
10.3	Inlet Filter	PA		
11	C20T-P Connector			
11.1	Nut	PA		Non-Wetted
11.2	Coupling	PA		Wetted
11.3	Gasket	EPDM		



DIMENSIONS, CONNECTIONS, ACCURACY, PRESSURE DROP

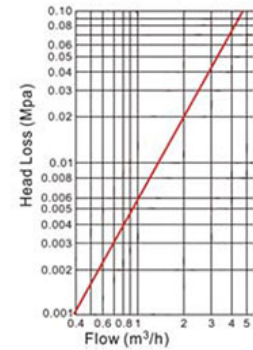
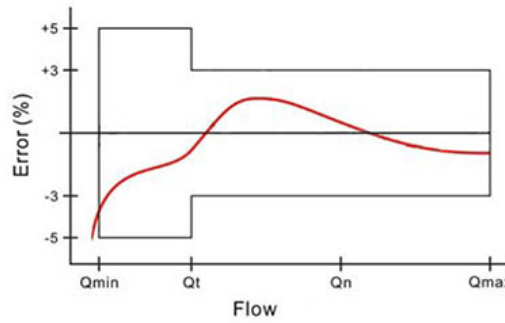
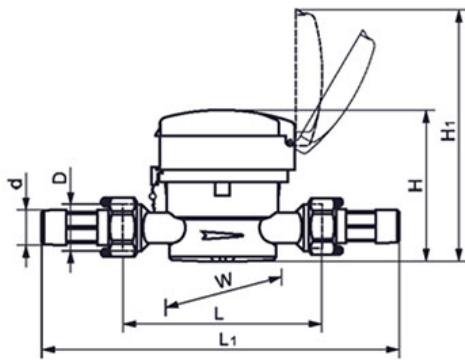


Table 2- Dimensions, Connections & Weights									
Model	L Length Inches (mm)	L1 Overall Length Inches (mm)	W Width Inches (mm)	H Height Inches (mm)	H1 Working Height Inches	D Body Threads (NPS)	d Connector Threads (NPT)	Weight W/O Couplings lb (kg)	Weight W/Couplings lb (kg)
CLXC-P-20D	5.12 (130)	9.21 (234)	3.15 (80)	2.83 (72)	5.63 (143)	1"	3/4" NPT	.75 (0.34)	.95 (0.43)

TWO PIECE METER COUPLINGS (TAILPIECES)

Coupling Part Number	Description	Material	Length of Coupling	Used With Meter Model	Qty needed per meter
C20T-P	1" NPS female nut to 3/4" NPT male union includes 2 couplings and 2 gaskets	Coupling-PA Gasket- EPDM	2-1/2"	CLXC-P-20D	1

