

Single-Jet Dry Type Water Flow Meter

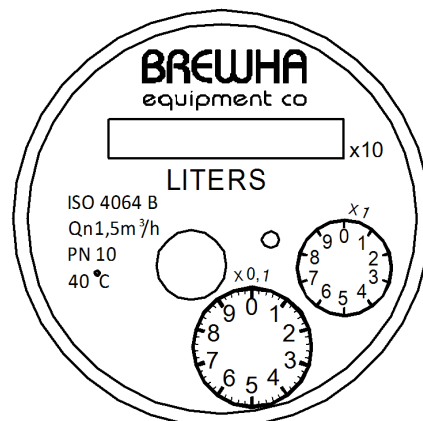
The BREWHA Water Flow Meter is a composite, single jet, super dry, dial water meter with magnetic transmission that comes with a ½” NPT connection or optional 1.5” tri-clamp connectors. It is designed for clean water applications up to 80°C (176°F), and when installed in a horizontal position (most accurate in this orientation) and in the correct orientation (water flow should be in the direction of the arrow on the side) provides >98.5% accuracy at flow rates of 2-50L/min (0.5-13USG). It can be purchased with an optional digital water meter (comes with a 1.2m/4’ cord) that provides easy reading of 1L increments and is resettable.



FEATURES:

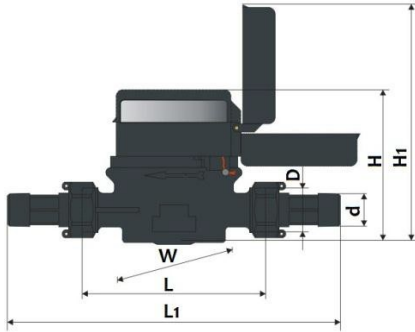
- Made with materials that have high resistance to corrosion and meet sanitary standards
- The 7 rollers +2 pointers provide high resolution reading at 1L increments (~0.22USGal); the meter is totalizing and non-resettable
- Optional pulse output and resettable digital meter can be attached which provides easy reading in 1L increments
- Magnetic shielding on the pulse output provides protection against external influences
- Meets the requirements of the International Standard (ISO) 4064 for potable water

DIAL PLATE DESIGN:



BREWHA Equipment Co Ltd
3154 Delta Street
Victoria, BC V8Z1A7
1-844-309-5080

DIMENSIONS



Size	Dn15	Dn15
L	110	115
L1	204	209
D	G3/4B	G3/4B
d	R1/2	R1/2
H	89.5	89.5
H1	145	145
W	81.5	81.5

L1: total length when connected and the gasket is not compressed

MAIN TECHNICAL DATA:

Size	Dn	Dn15
Metrology Class	B	B
Qmax	m ³ /h	3
Qn	m ³ /h	1,5
Qt	l/h	120
Qmin	l/h	30
Max. Reading	m ³	99999.9999
Min. Reading	Liter	0.02
Pressure Loss	ΔP	<1 bar at Qmax <0.25 bar at Qn
Max. Pressure	PN	16
Max. Temperature	°C	up to 80°C

Max. Permission Error:

From Qmin up Qt (excluding Qt) is ± 4.5%;

From Qt up to Qmax (including Qmax) is ± 1.5%

