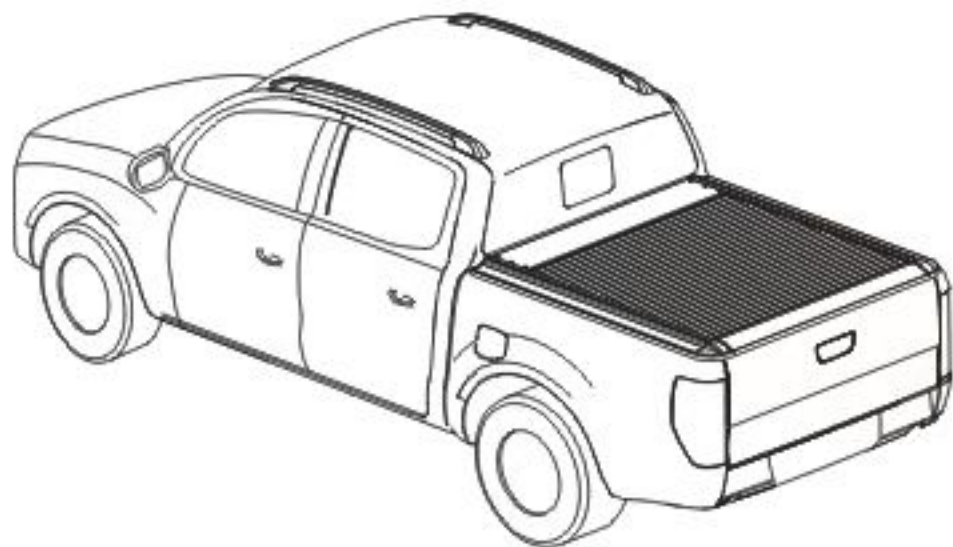
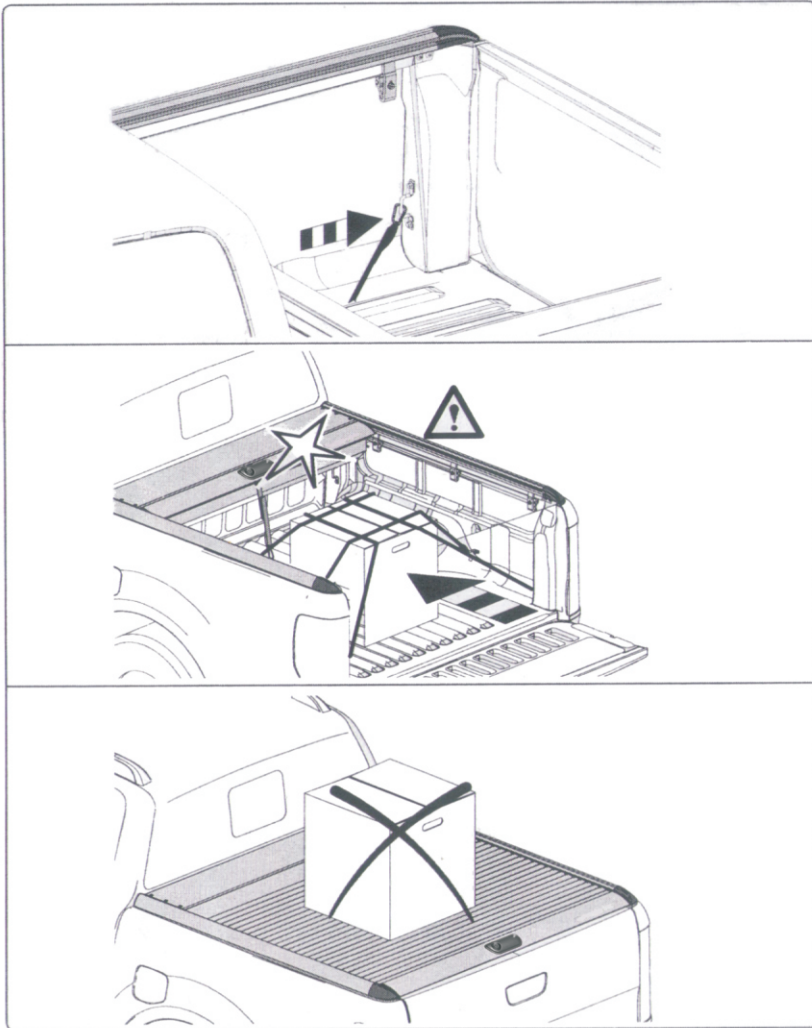


## User's Manual of Retractable Tonneau Cover



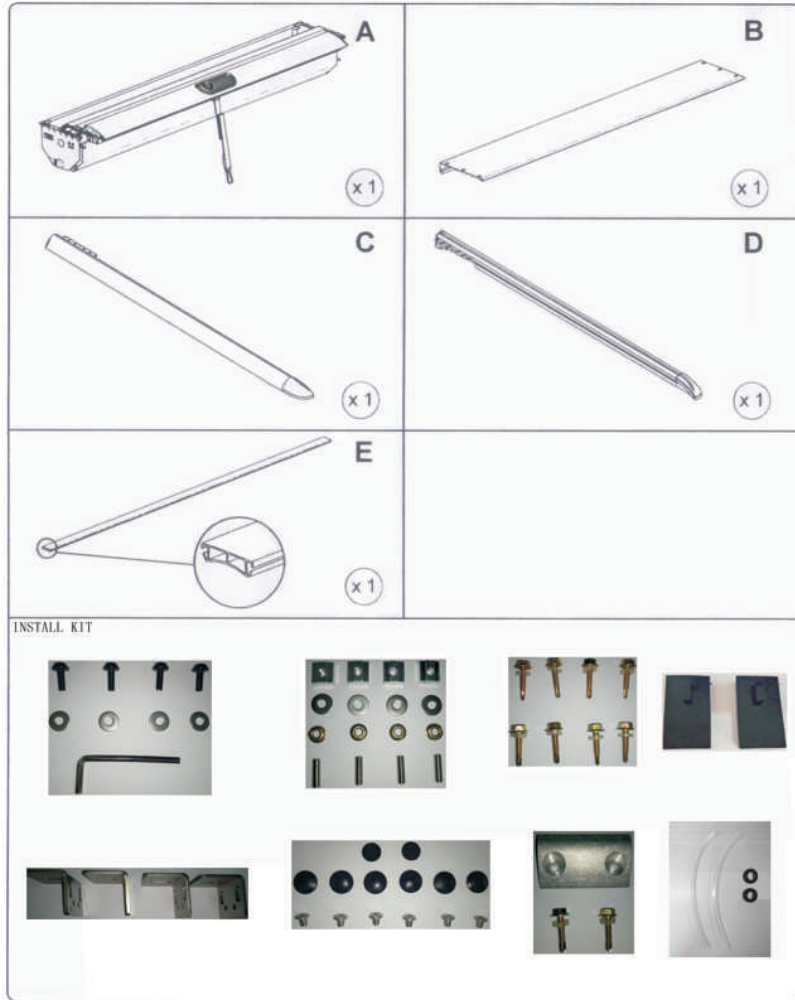
Installation Instructions



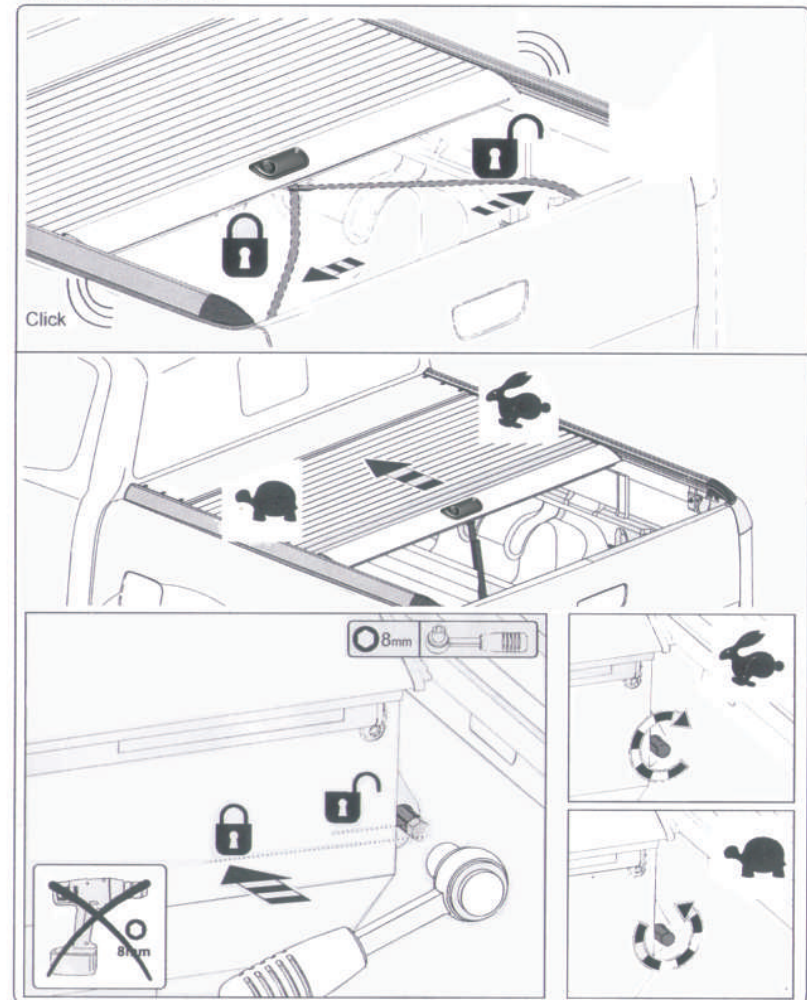
Installation Instructions



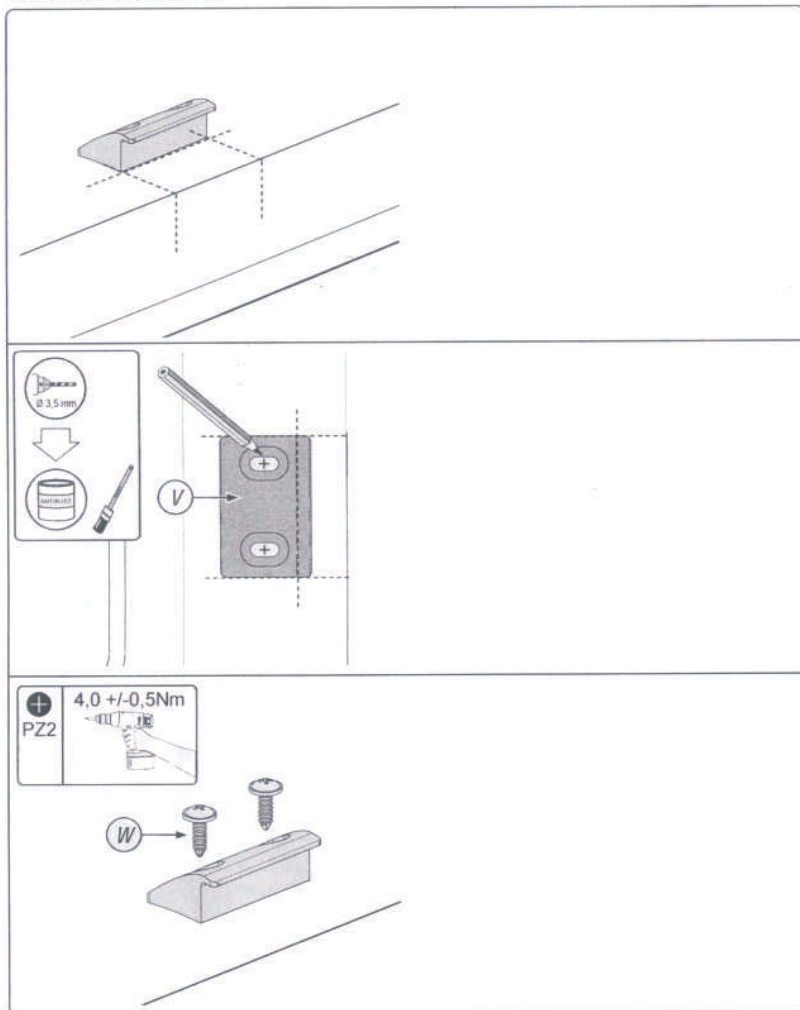
Installation Instructions



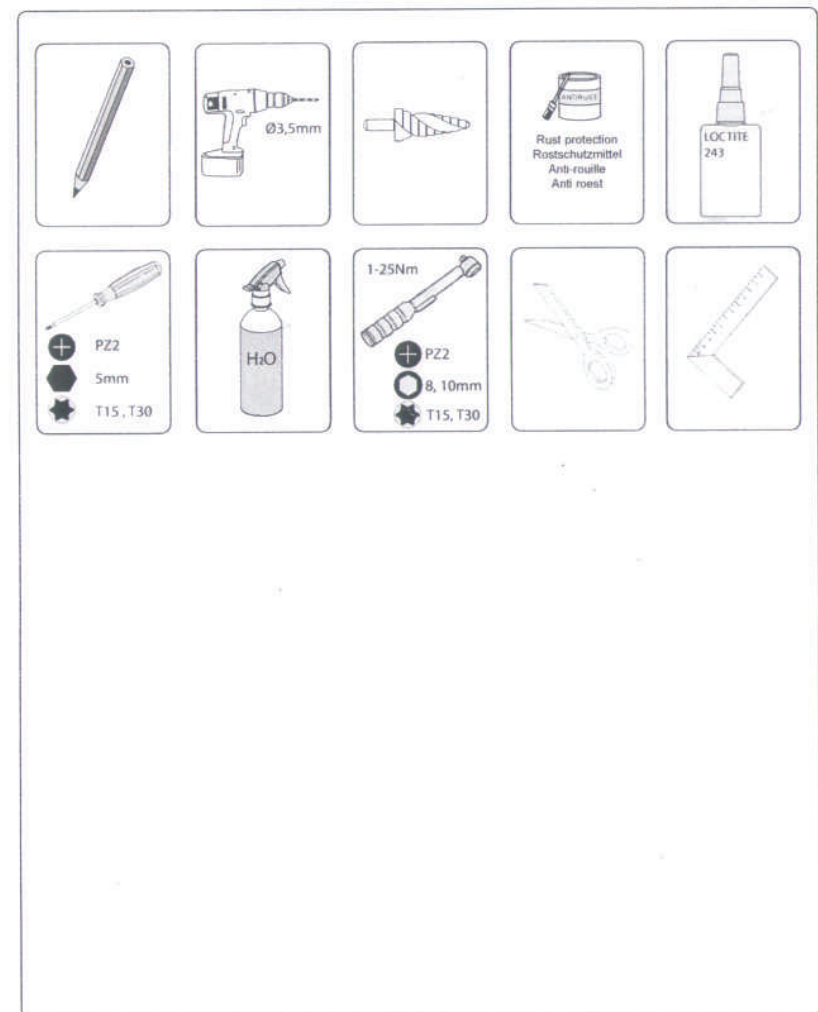
Installation Instructions



Installation Instructions



Installation Instructions



Installation Instructions

The top left section shows the components of the bed kit, including rails and brackets. The top right section shows a warning diagram of a truck bed with a crossed-out 'X' and a 'KIT' label, indicating that the bed should not be modified. The middle section shows a side view of the bed with dimensions X and Y marked. The bottom section contains a table with the following data:

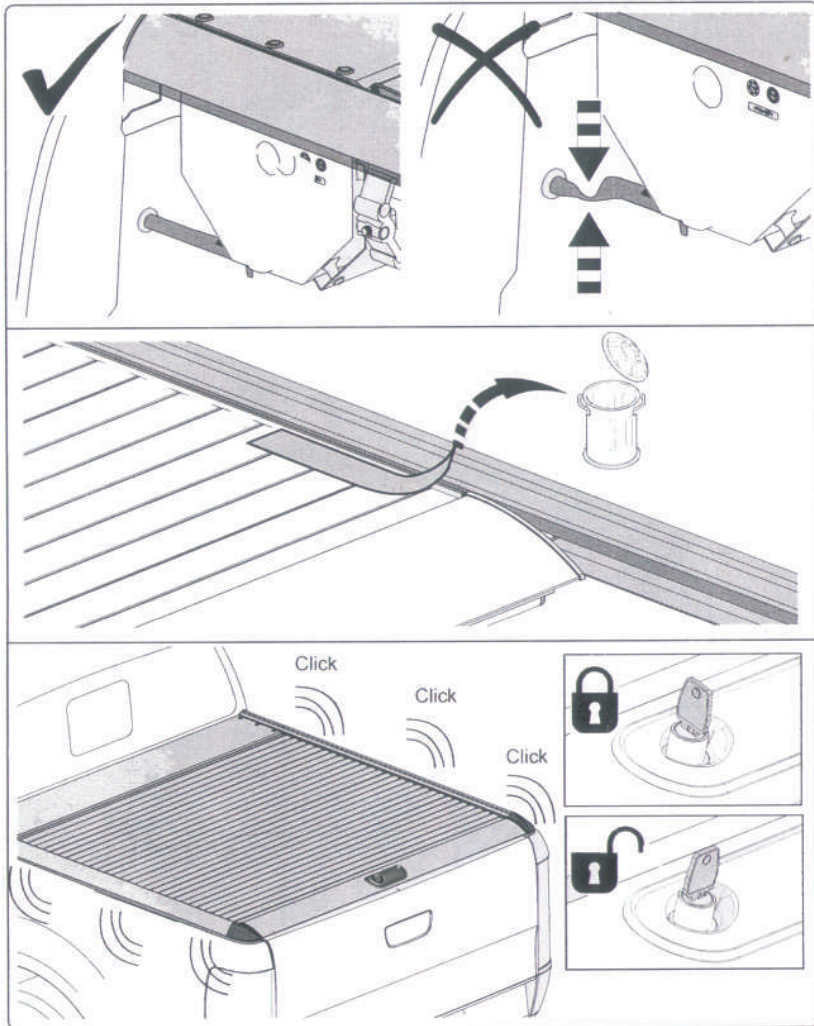
Plain bed		
	X	Y
TOYOTA	1421	180
ISUZU	1456	190
FORD	1460	208

Installation Instructions

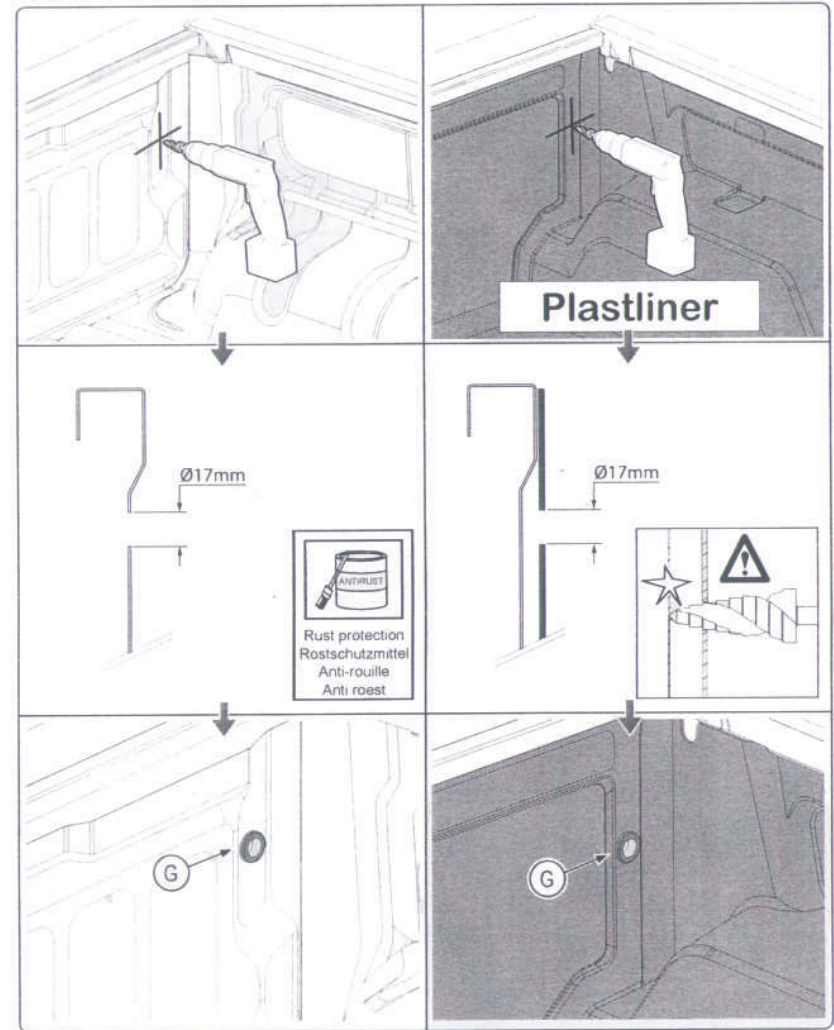
The top section shows a close-up of a truck bed with a 13mm gap between the bed and a component. The middle section shows a truck bed with a 10-degree angle and a component being installed. The bottom section shows a close-up of the component being installed with a 13mm measurement.



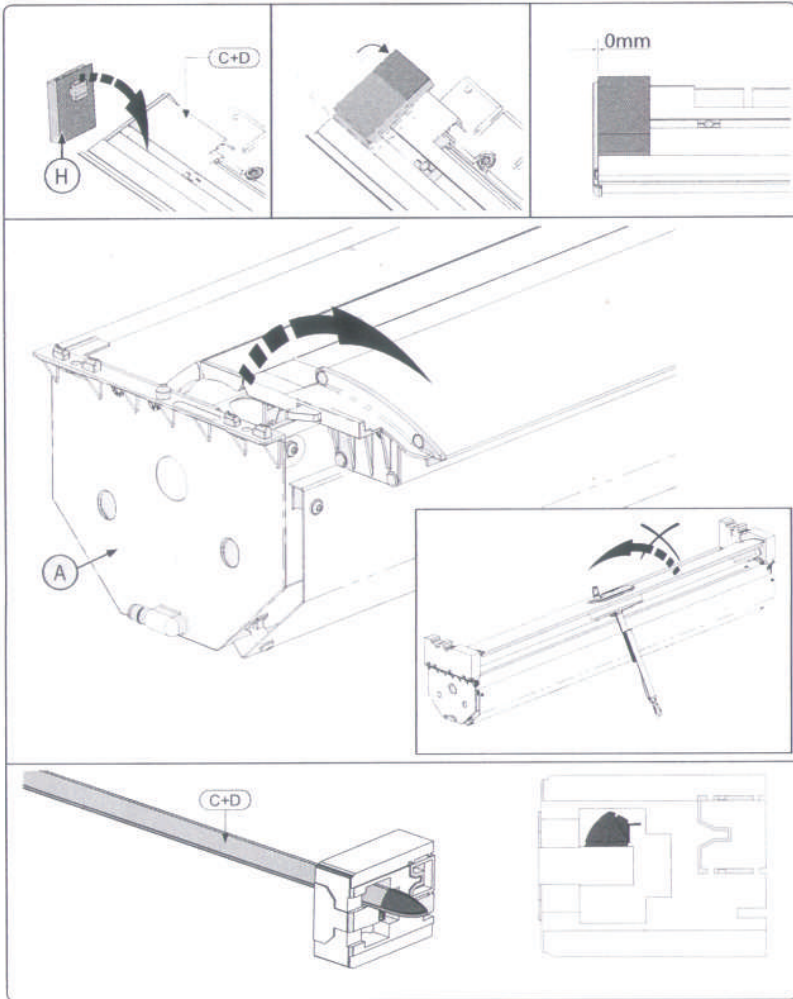
Installation Instructions



Installation Instructions

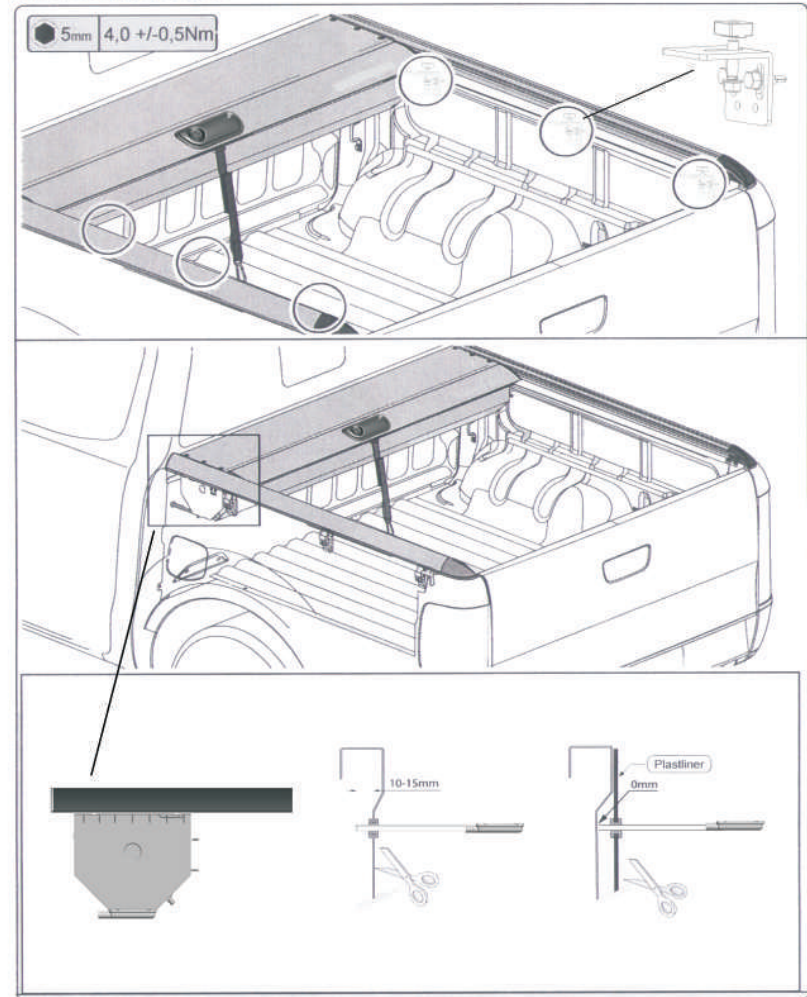


Installation Instructions



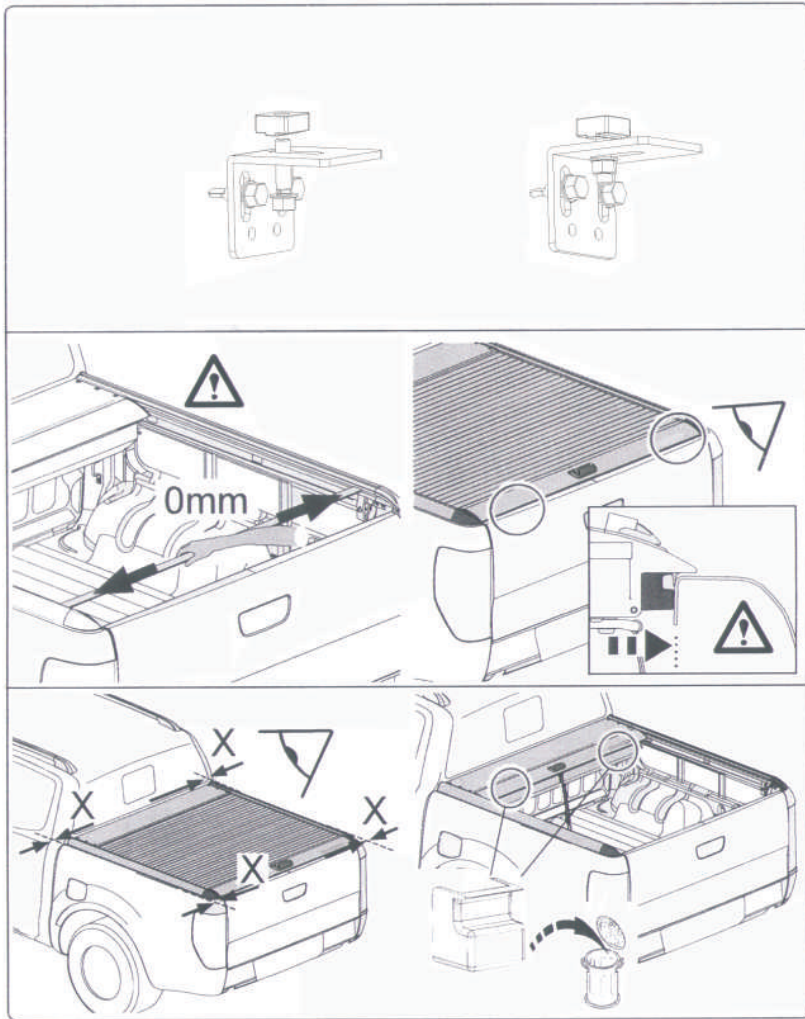
6

Installation Instructions

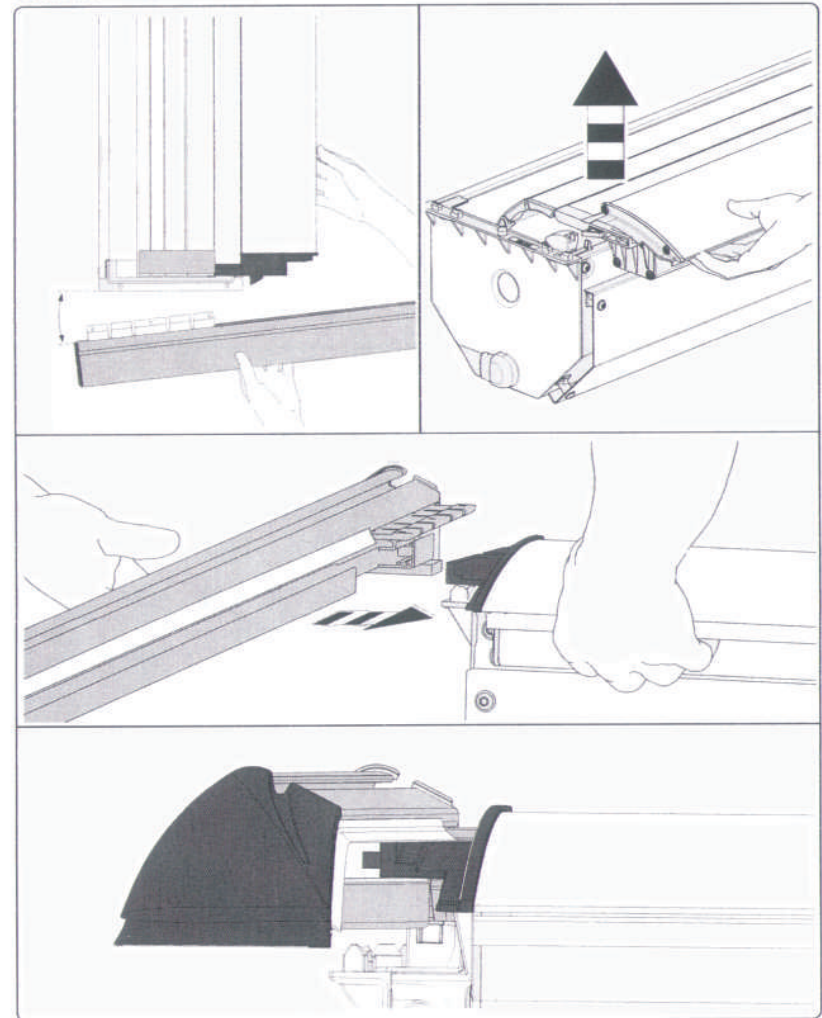


15

Installation Instructions

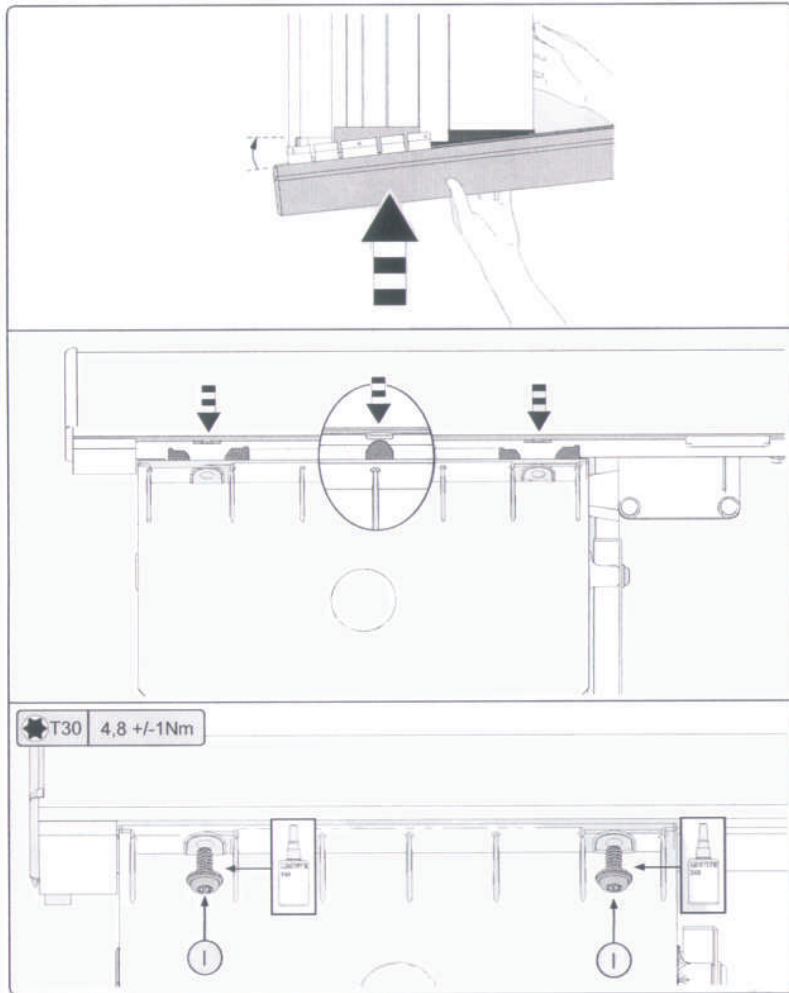


Installation Instructions



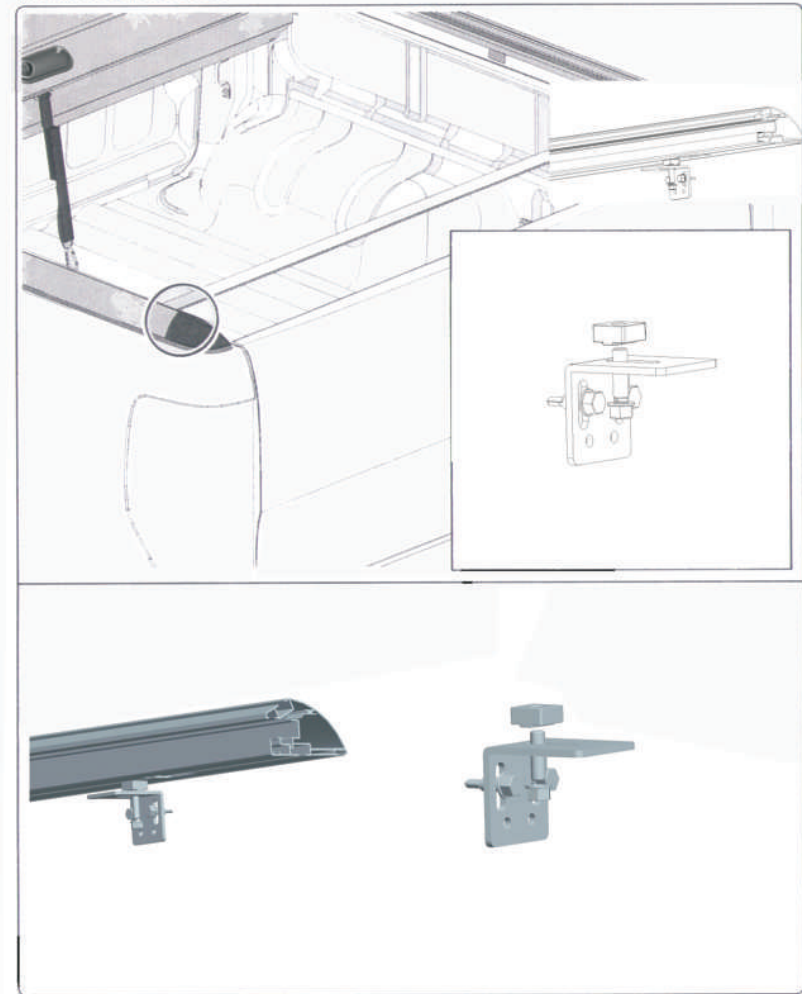


Installation Instructions



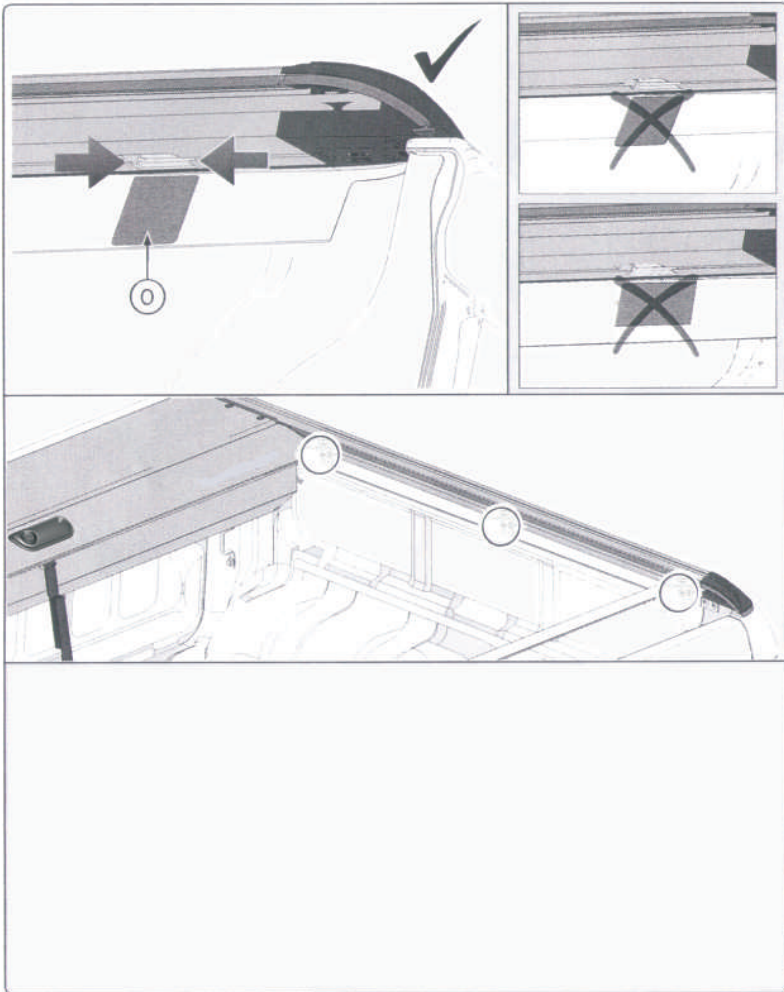
8

Installation Instructions

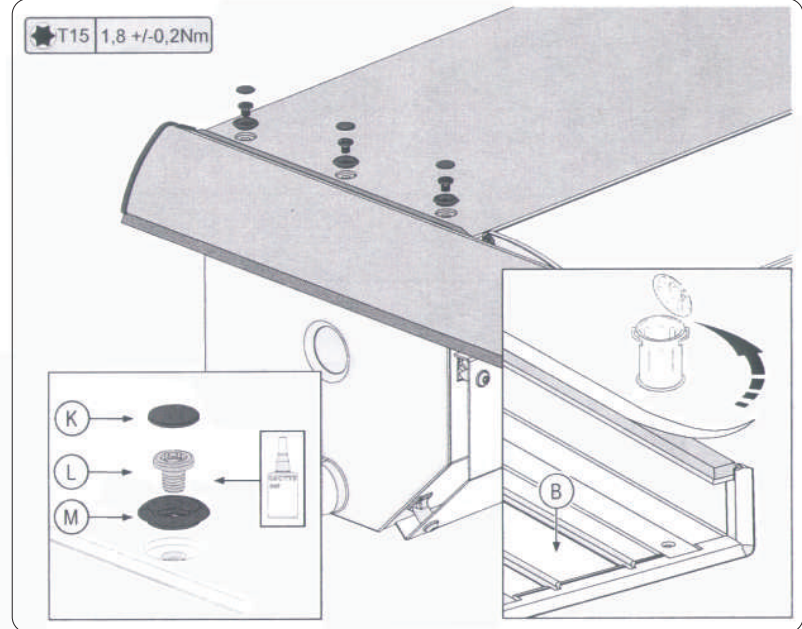


13

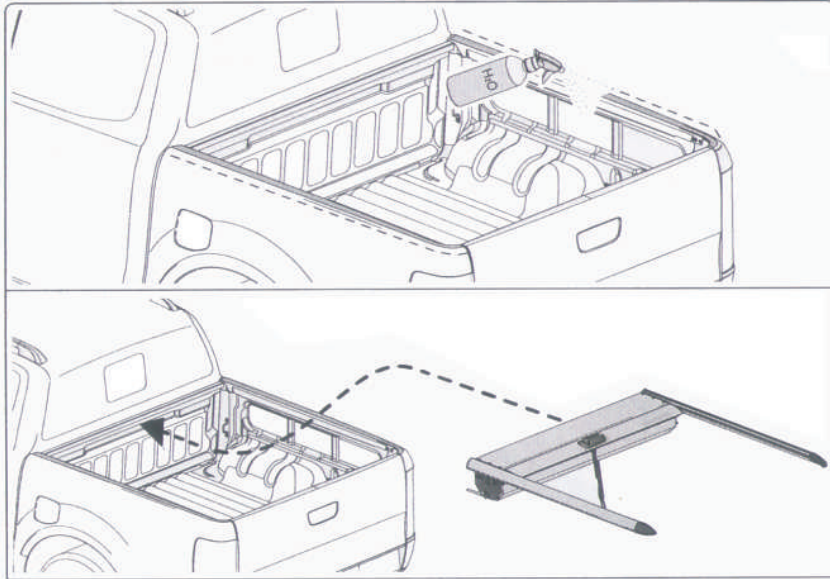
Installation Instructions



Installation Instructions



Installation Instructions



Installation Instructions

