









TOYOTA LC79 INSTALLATION MANUAL

Installation Time (Hours):

0.5	1	2	3
Professional installation recommends			

TOOLS

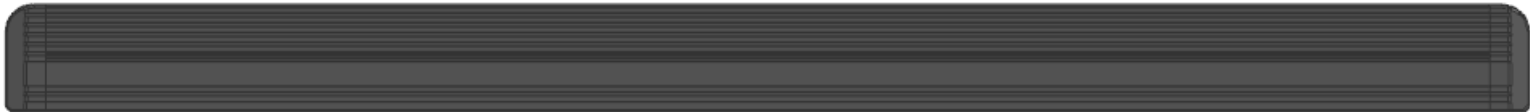
卷尺 	一字螺丝刀 	棘轮 	插口 
Tape	Screwdriver	Ratchet	10mm 13mm
Wrench	wiring nippers	wiring stripper	Insulated rubber tap
通用扳手 	剪线钳 	剥线钳 	绝缘胶带 



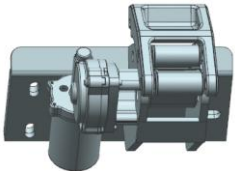
Attention:	We highly recommend you to find professional store to install the product.
Attention:	If not follow the instruction may damage the ECU, motor or the car.

TOYOTA LC79 INSTALLATION MANUAL

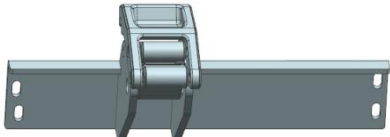
Accessories List



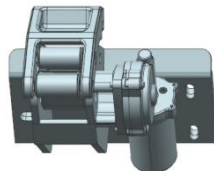
ECU



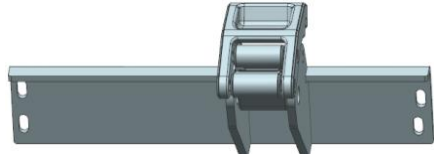
Right front motor
bracket



Right rear idler bracket



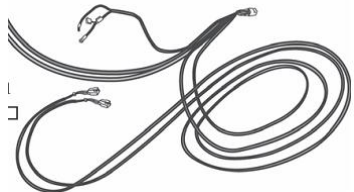
Left front motor bracket



Left rear idler bracket



OBD KIT 1 SET



Wire harness: one set for motor power and signal

M6*25 outer hexagonal bolts 8PCS	M6*40 outer hexagonal bolts 4PCS	M6*55 Hook screw 2pcs	M6*25 socket cap screw, 8pcs	U shape washer, 10 pcs	M8 big size washers, 2 pcs	M6 spring washer, 8pcs	M6 washers, 12pcs	Plastic Line, 1 pc	Tie wire ,20 pcs

Screw Package List

TOYOTA LC79 INSTALLATION MANUAL

1.install ECU, OBD and wiring



1) Open engine compartment and find the battery

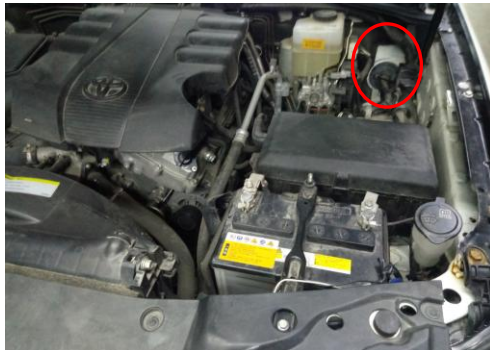


2) take out fuse



3) connect positive pole of a battery

CAUTION!: Tighten battery screw very tight! If loose, may get damage to the car.



4) Find the left hole in the engine compartment



5) Connect positive pole line to the left side of the car



6) Connect the negative pole line to the left side in the car

TOYOTA LC79 INSTALLATION MANUAL



7) Find the screw of the original car on the left



8) Fix with M8 nut



9) Take apart the decoration panel of four doors



10) Connect with this door control item



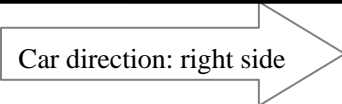
11) Take apart this decoration panel



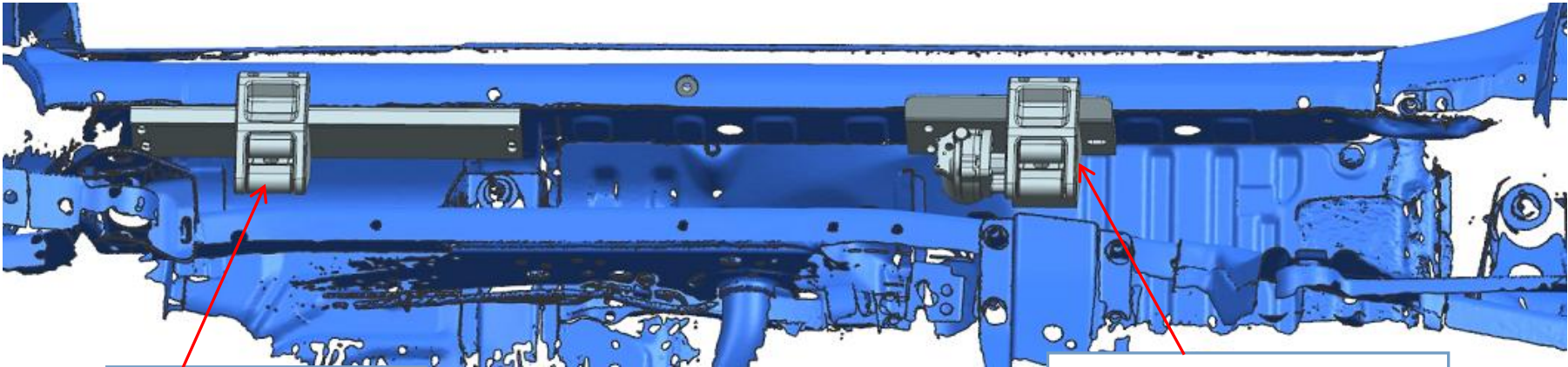
12) Link the motor line to the chassis site

13) Connect motor connectors and use tape to protect, connect OBD line with ECU connector, insert fuse to test if motor work well

TOYOTA LC79 INSTALLATION MANUAL



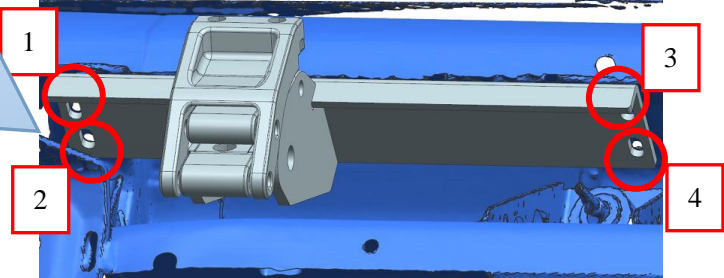
2.Install the bracket (right side)



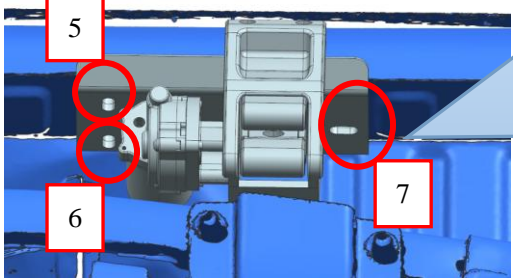
Right- rear idler bracket

Right-front bracket with motor

Place 1.2.3.4 use M6*25 screw to fix



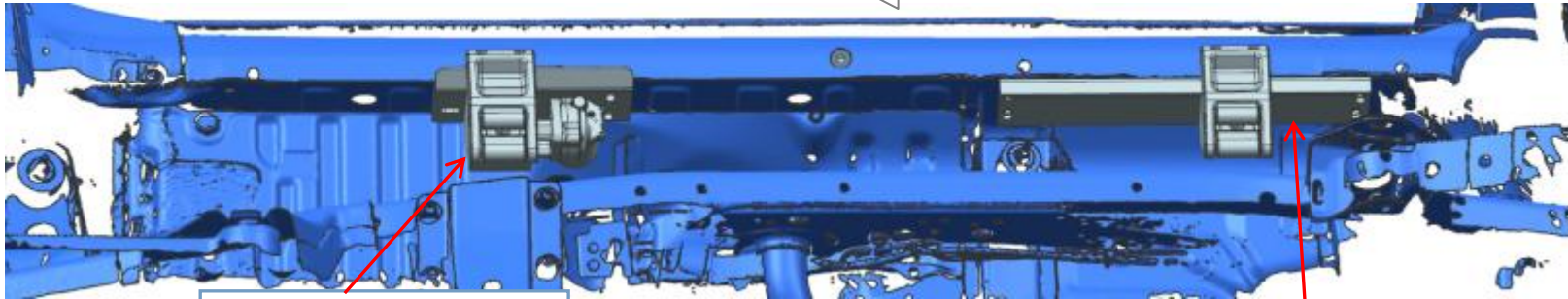
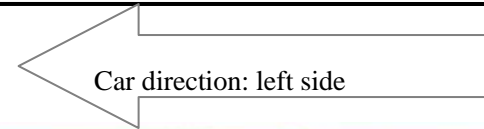
Place 5.6 use M6*40 screw to fix
Place 7 use M8*50 hook screw to fix



Caution: don't tighten the screws!

TOYOTA LC79 INSTALLATION MANUAL

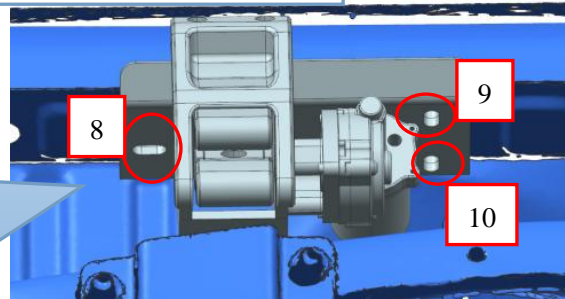
3. Install the bracket (left side)



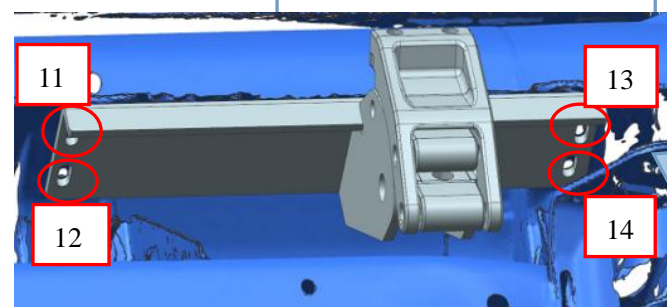
Left-front bracket with motor

Left-rear idler bracket

Place 8,9 use M6*40 screw to fix
Place 10 use M8*50 hook screw to fix



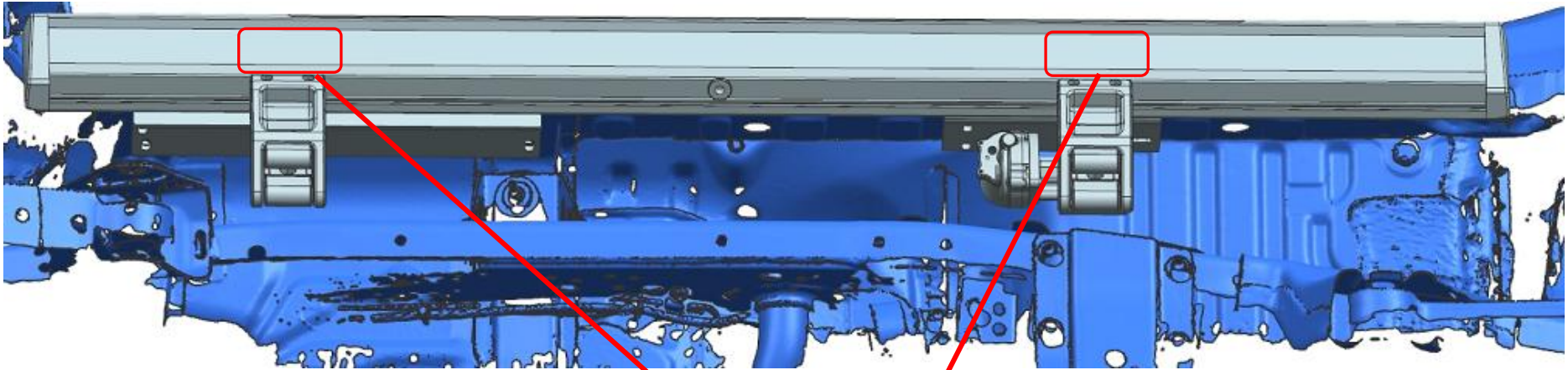
Place 11,12,13,14 use M6*25 screw to fix



Caution: don't tighten the screws!

TOYOTA LC79 INSTALLATION MANUAL

4. Install running board(right side) (The installation of the left is same as the right)



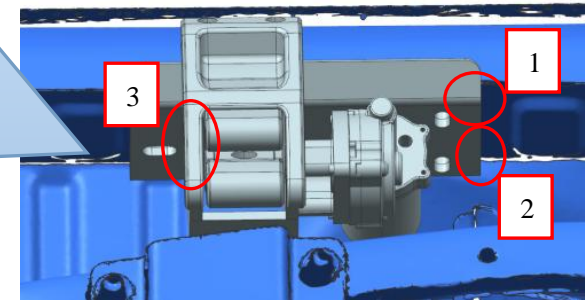
1) use M6x25 socket cap screw to fix running board with brackets as the picture above showed. **TIGHTEN SCREWS !!**

TOYOTA LC79 INSTALLATION MANUAL

5. Testing and adjust brackets and screws to keep the balance



Tighten 1.2.3.4 screws;
If still not balance, use U
shape washer to adjust it.



1) When running board installed finish, open and close the doors for testing, keep the brackets balanced and stay in the same line

TOYOTA LC79 INSTALLATION MANUAL



Installation completion effect