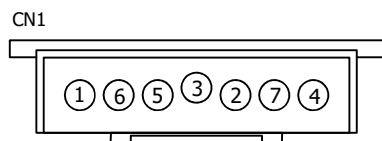
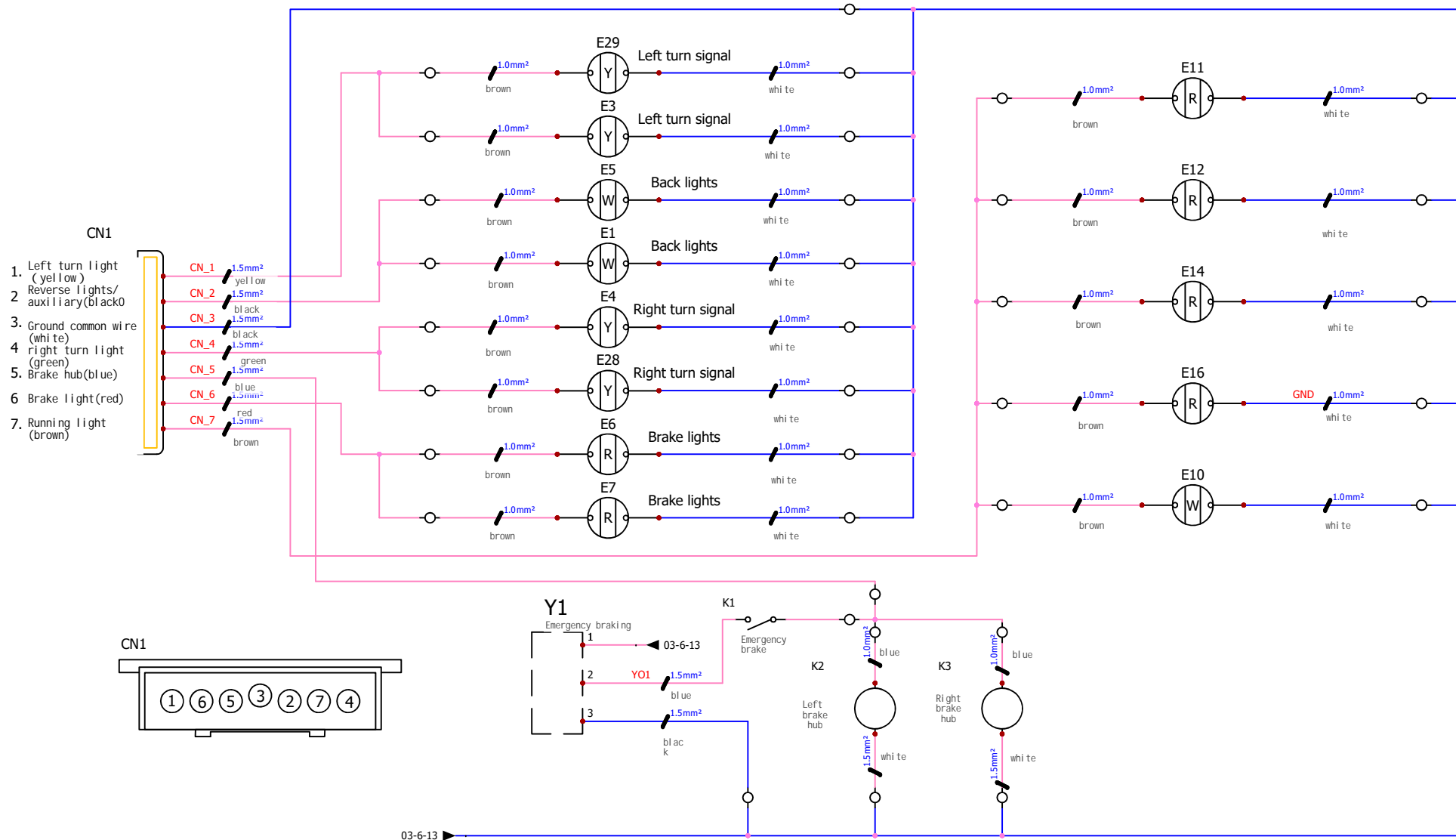


OZI WORK TRAILER

1
2
3
4
5
6
7
8
9
10
11
12



Chassis wire

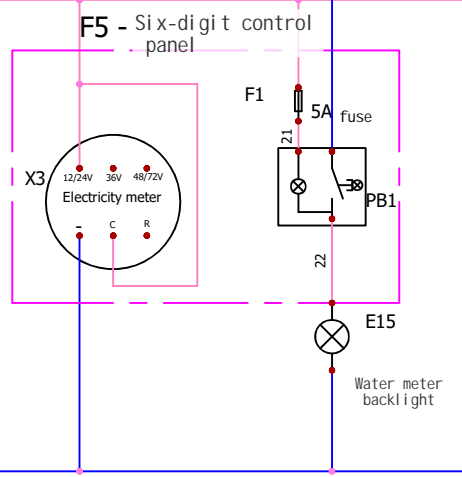
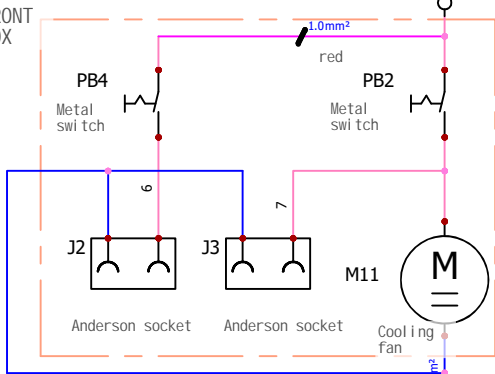
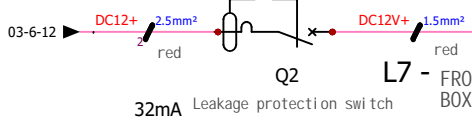
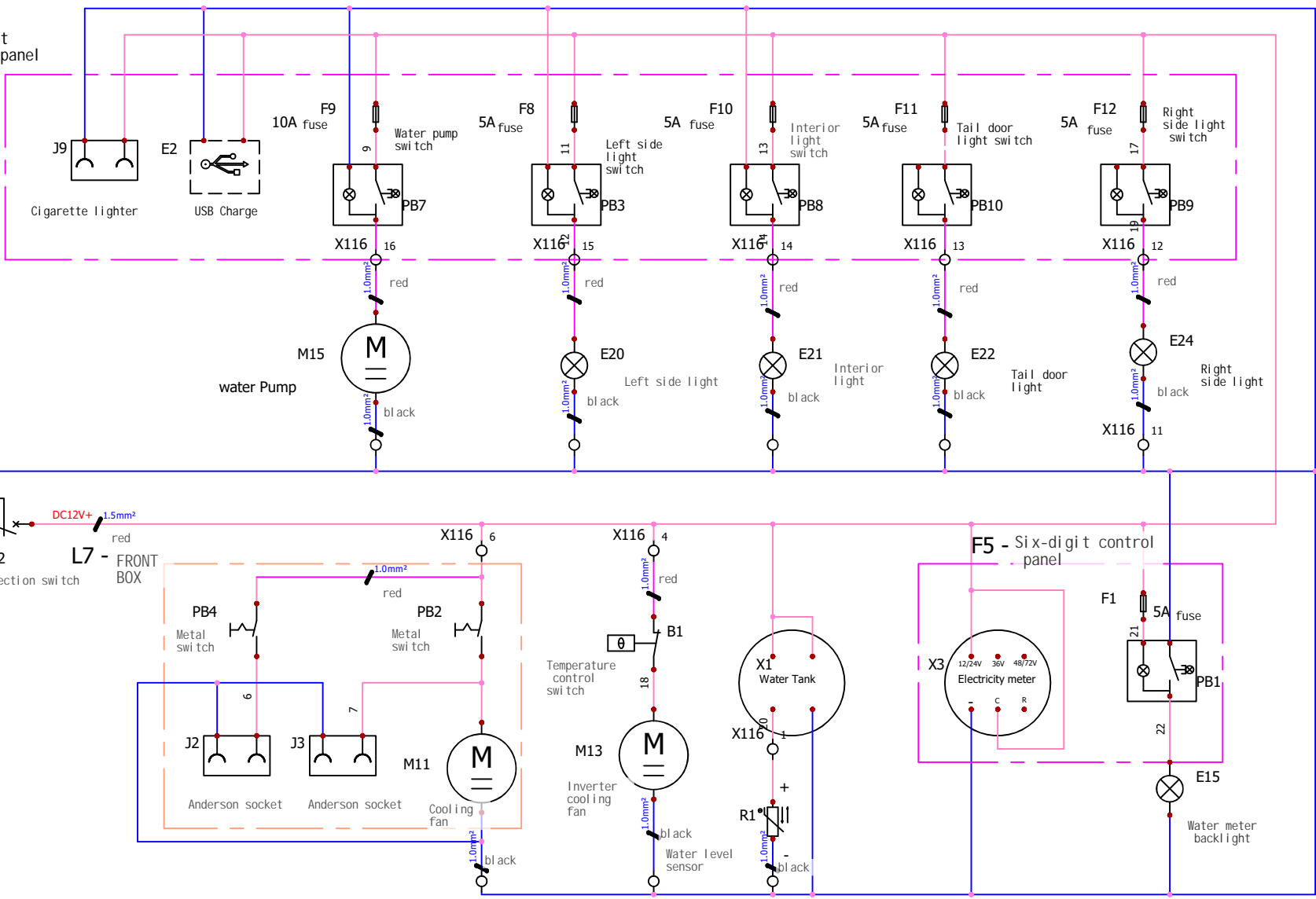
CONTRACT:

LOCATION: L1

REV.	DATE	NAME	CHANGES	REVISION
A	2022/3/16	Administrator		A
				SCHEME
				02

1
2
3
4
5
6
7
8
9
10
11
12

Six-digit control panel
F5



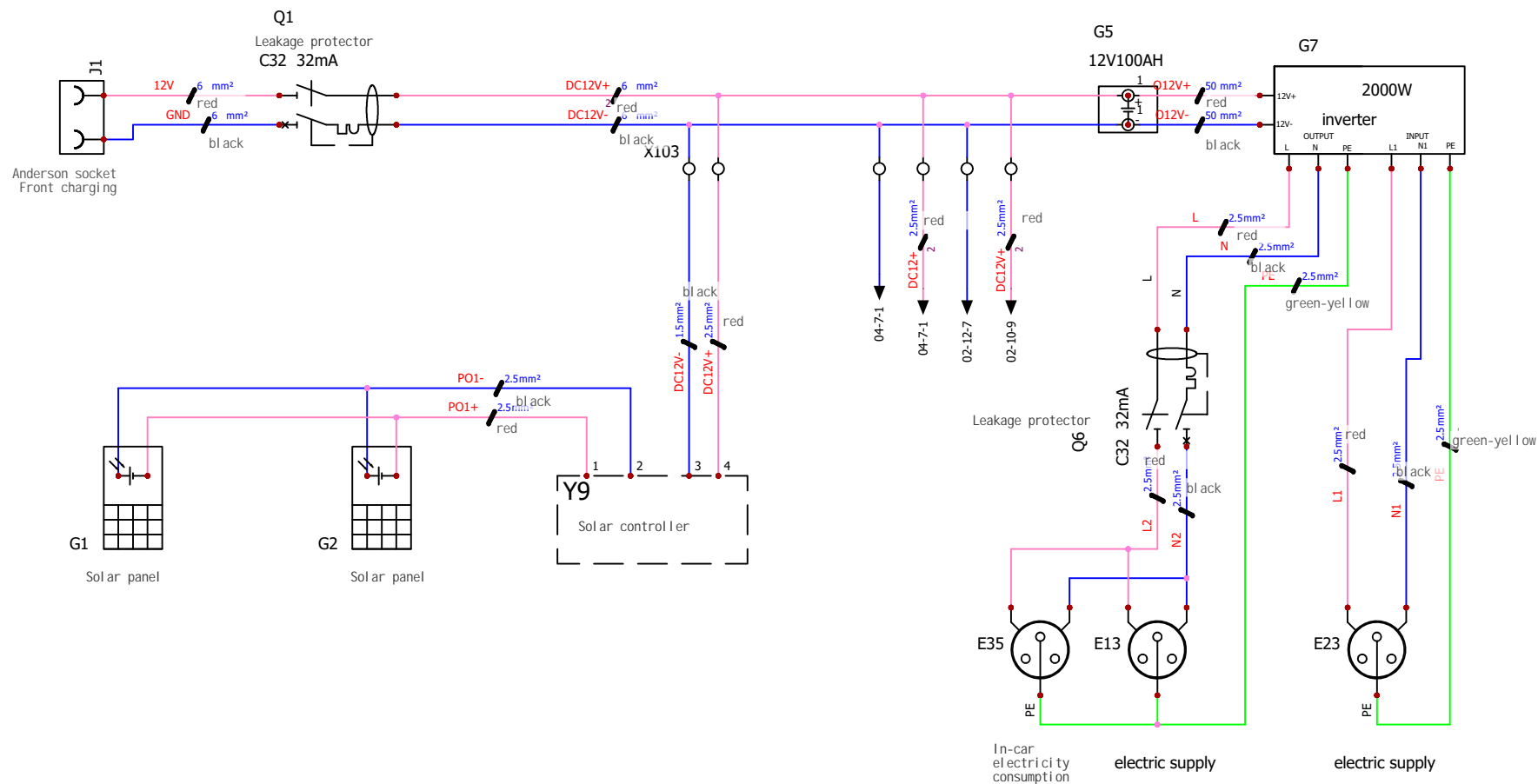
control wire

CONTRACT: LOCATION: L1

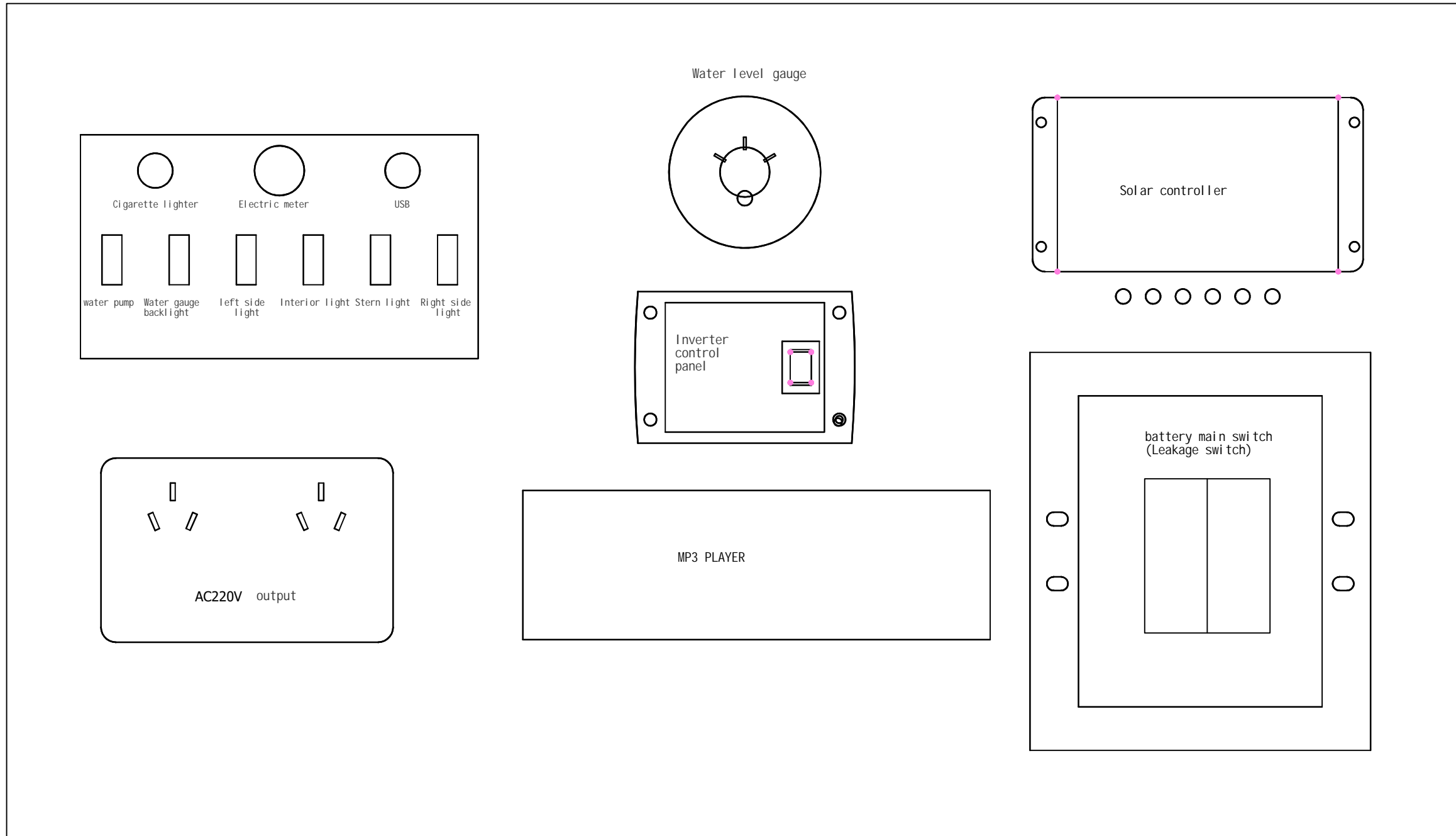
REV.	DATE	NAME	CHANGES
A	2022/1/13	Administrator	

REVISION	A
SCHEME	04

1
2
3
4
5
6
7
8
9
10
11
12



CONTRACT:		LOCATION: L1			REVISION		
					A		
A		2022/1/13	Administrator			SCHEME	
REV.		DATE	NAME	CHANGES		03	



CONTRACT: TB-21-07-12-IOR-03

LOCATION: L1

REV.	DATE	NAME	CHANGES
A	2022/1/25	Administrator	

REVISION A
SCHEME 09