

1

2

3

4

5

6

A

A

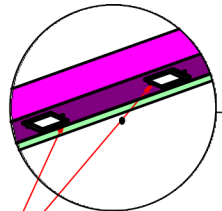
B

B

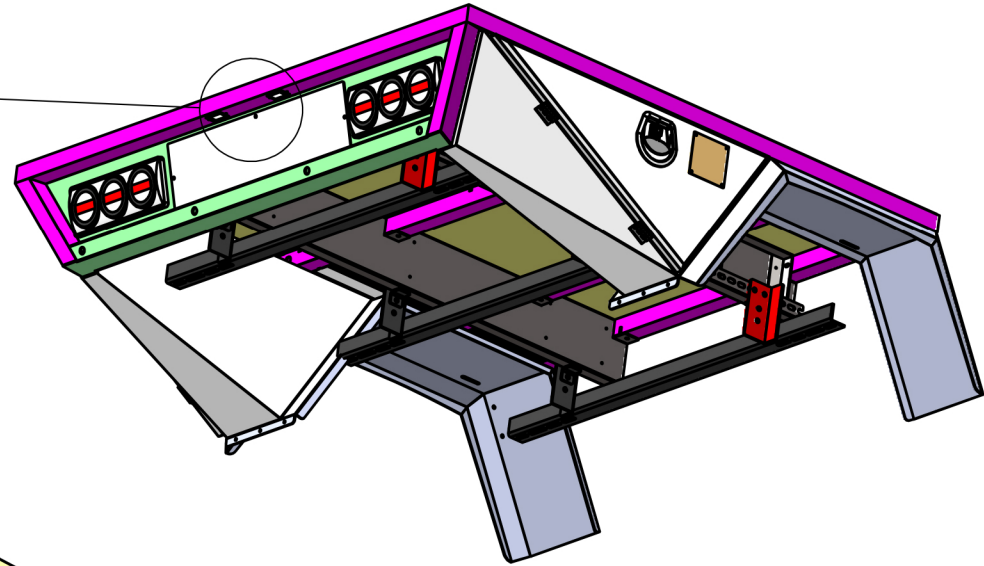
C

C

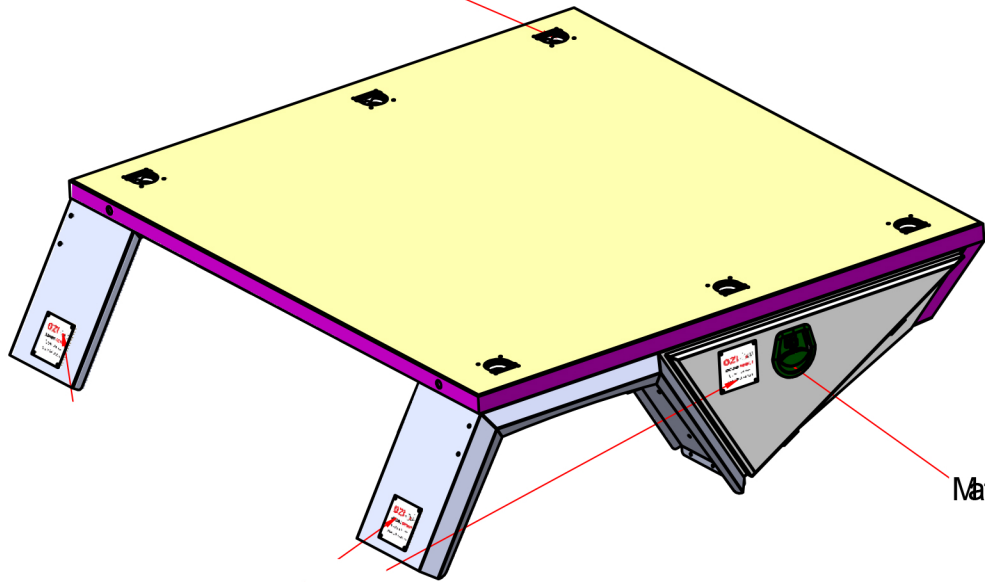
D



number-plate light



6 Tie Down Point



Matt black whale lock

4

5

