

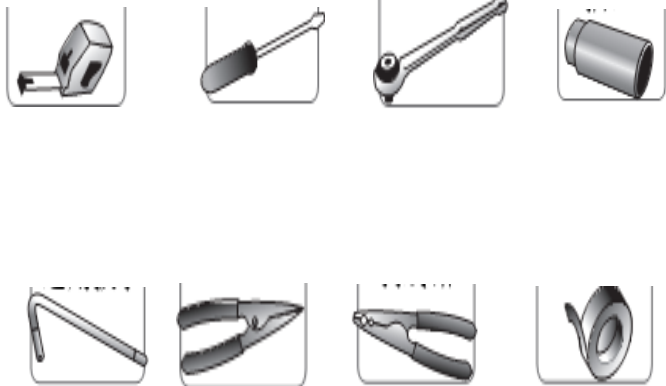
INSTALLATION MANUAL FOR RANGER /EVEREST /BT-50

Installtion time

0.5 1 **2** 3

Professional installation recommends

Tools



Attention:

We highly recommend you to find professional store to install the product.

Attention:

If not follow the instruction may damage the ECU, motor or the car.

INSTALLATION MANUAL FOR RANGER / EVEREST / BT-50

COMPONENTS LIST



board 2 pcs



ECU



LM motor bracket



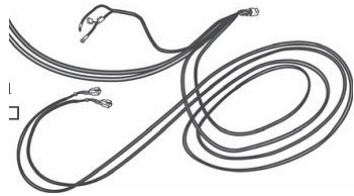
RM motor bracket



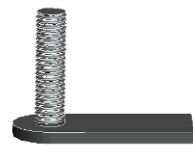
LF & RF idler bracket, 2pcs



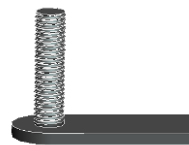
LR & RR idler bracket, 2pcs



Wiring harness



T-shape screw 2 pcs
(M8*30)



T-shape screw 2 pcs
(M6*25)



M10*25 socket
cap screw 8 pcs



M10*30 socket cap
screw 8 pcs



M8 nut 2pcs



M6 nut 2 pcs



Tie wire 20 pcs



M10 washer 8



U washer 10
pcs



M8 washer 8
pcs



M6 spring
washer 8



Plastic line 1 pc

Screw package

INSTALLATION MANUAL FOR RANGER / EVEREST / BT-50

1 Install ECU, OBD and wiring



1) take out fuse



2) connect power wire to battery: red one with fuse is positive.



Caution! Tighten battery screw very tight! If loose, may get damage to the car.



4) from this position, insert to left site



5) find negative at left position



6) ECU fixing as above by screw

INSTALLATION MANUAL FOR RANGER / EVEREST / BT-50



7) left motor wire from this position to left side



8) 2015-2018 version connect OBD as above, 2019+ refer to following page



9) right motor line from above position from chassis to cabin, under seat



10) motor line from above position from chassis to cabin



11) motor line from this hole to cabin

12) connect motor and use tape to protect. Connect OBD line with ECU connector. Insert fuse to test if motor work well.

INSTALLATION MANUAL FOR RANGER / EVEREST / BT-50

Regarding Ranger 2019+, should get information from driver side, not from OBD connector.

Before you unplug the connector, you have to shut down the engine and wait for 10 minutes so that the vehicle will be in deep sleep. And during installation, do not start engine until you plug in all connectors.



LHD:Connector is at left of LF Position as above picture
RHD:Connector is at right of RF



Connector covered by
tape along with wiring

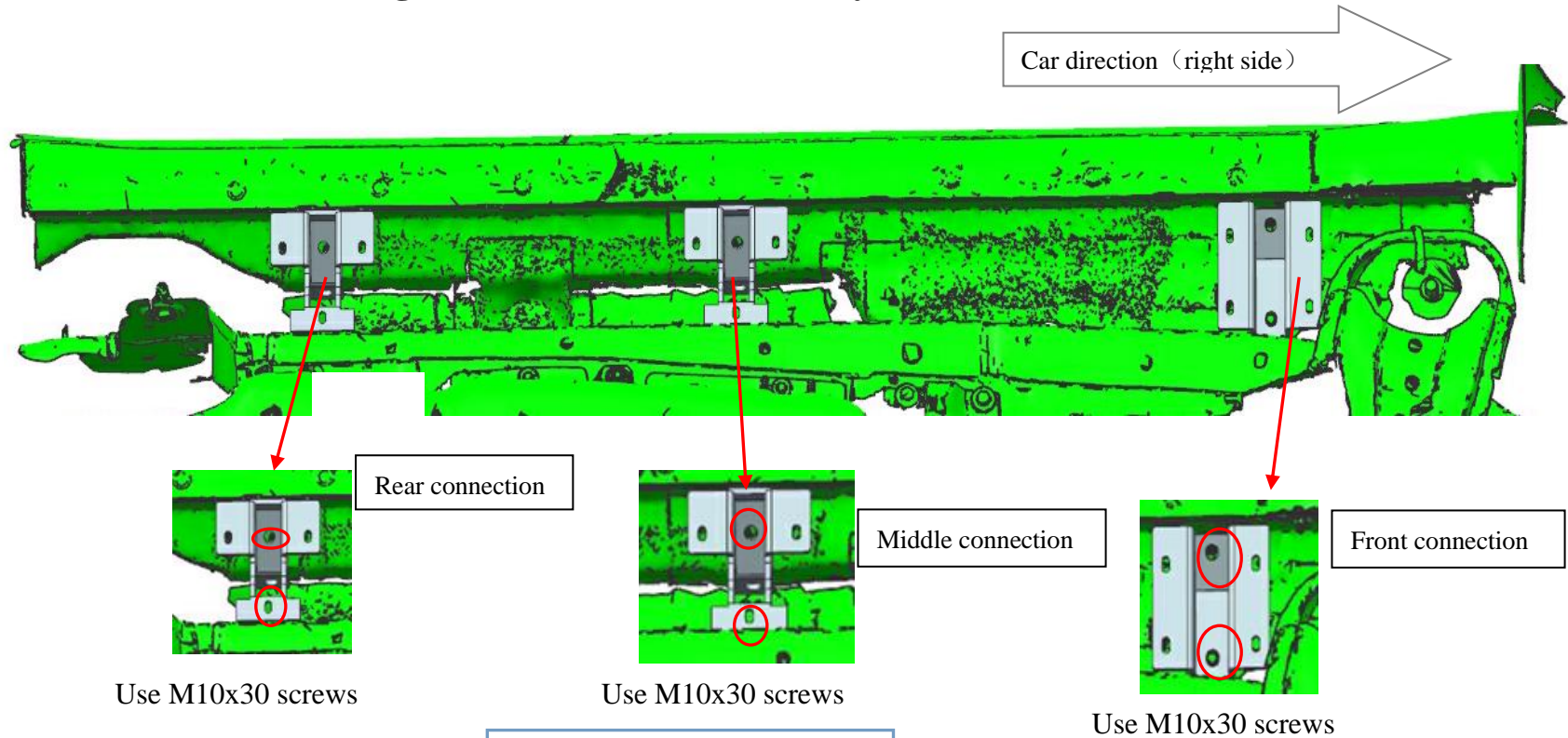


Plug it with upper one by our
connector and insert it back.

Others are same as above instruction

INSTALLATION MANUAL FOR RANGER / EVEREST / BT-50

2. Install connections base (right side, 2 sides in same way to install)



Tighten all screws !

INSTALLATION MANUAL FOR RANGER / EVEREST / BT-50

3. Install bracket (right side, 2 sides in same way to install)

Car direction (right direction)

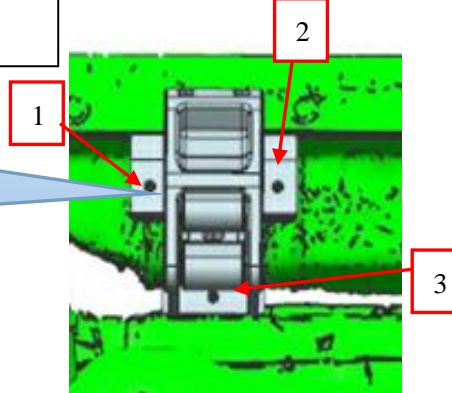


Rear idler bracket

Middle motor bracket

Front idler bracket

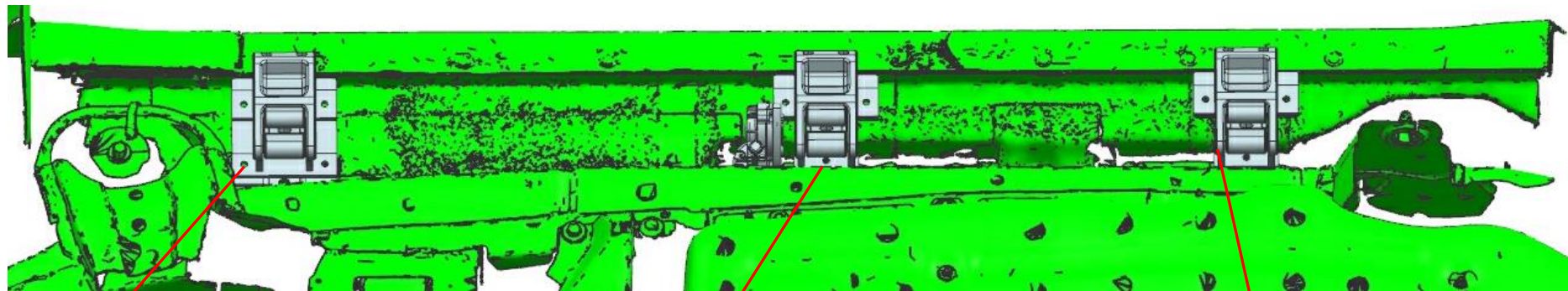
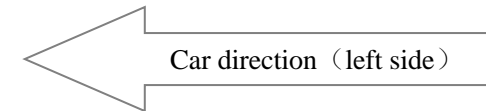
1.2.3. use M8x30 screws
to fix



KEEP ALL SCREWS A LITTLE LOOSE, SO THAT BRACKET CAN MOVE WITH RUNNING BOARD!!!

INSTALLATION MANUAL FOR RANGER / EVEREST / BT-50

4. install connection, left side (same as right side)
5. install brackets, left side

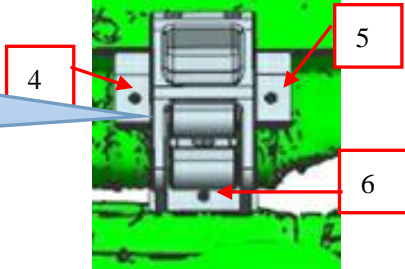


Front idler bracket

Middle motor bracket

Rear idler bracket

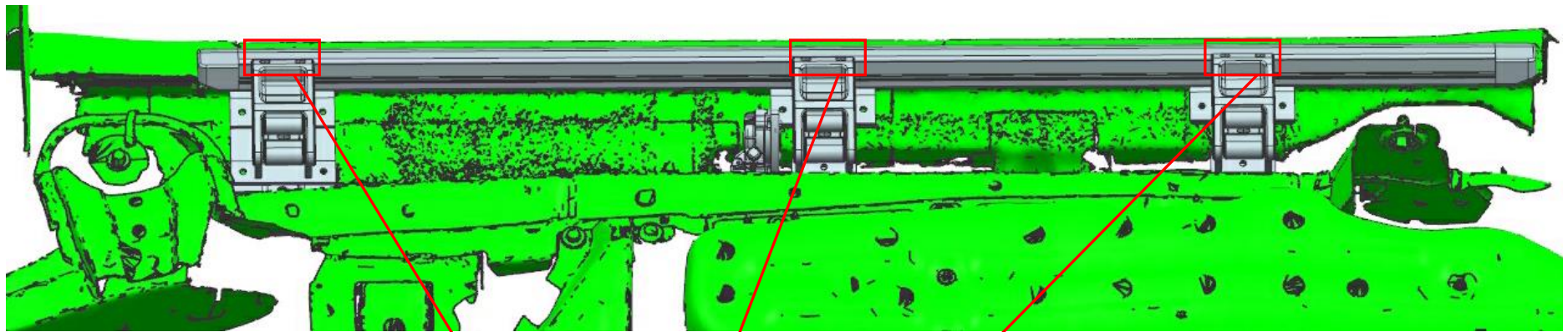
4.5.6. use M8x30 screws to fix



KEEP ALL SCREWS A LITTLE LOOSE, SO THAT BRACKET CAN MOVE WITH RUNNING BOARD!!!

INSTALLATION MANUAL FOR RANGER / EVEREST / BT-50

6. install running board (left and right side are in same way)



Use M6x25 screw and spring washers to fix running board with brackets.

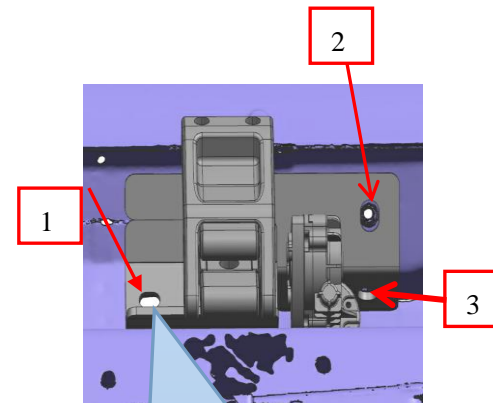
TIGHTEN SCREWS TO FIX BOARD WITH BRAKETS!

INSTALLATION MANUAL FOR RANGER / EVEREST / BT-50

7. Testing and adjust the balance



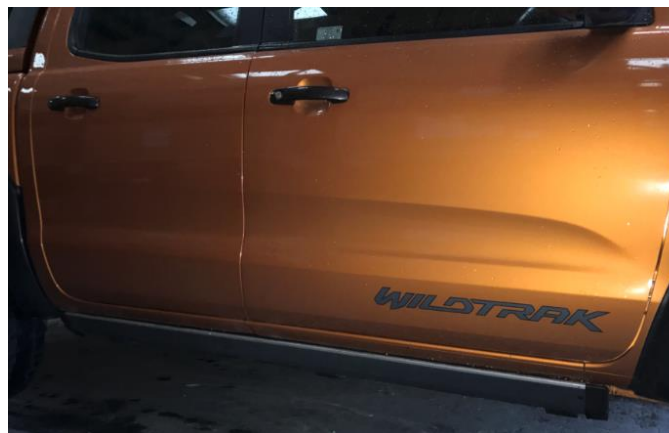
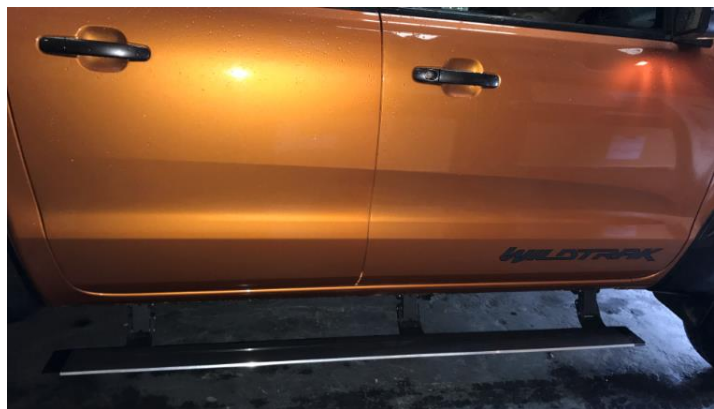
Insert fuse again. Then open and close doors to let step work.
To assure them up and down freely to adjust position by itself.



**FASTEN ALL SCRWS (3x6=18) ON THE 6
BRACKETS**

If still not balance, use U shape washer
to adjust it.

INSTALLATION MANUAL FOR RANGER / EVEREST / BT-50



8, Checking all doors activate, the side step work when doors open and close. Now the installation is finished. Protect all connectors with tap to avoid loose.

INSTALLATION MANUAL FOR RANGER / EVEREST / BT-50



To changing tire

Automatic power deploy:

The running boards will extend down and out when the door is opened.

Automatic stop:

If an object is in the way of the moving running board, the running board will automatically stop. To reset, clear any obstruction, then simply open and close the door to resume normal operation.

Manually set in the deployed (OUT) position for access to the roof:

Step your foot while at the same time closing the door. To resume normal operation, open and close the door.

Maintenance: In adverse conditions, debris such as mud, dirt, and salt may become trapped in the running board mechanism, possibly leading to unwanted noise. If this occurs, manually set the running boards to avoid spraying the motors directly. After washing, apply silicone spray lubricant to the hinge pivot pins.

Caution! Keep hands and feet away when the running board is in motion.