

CAUTION: STAINLESS STEEL EDGES CAN BE SHARP!

REMOVE: REAR SEAT, FRONT SEAT, (2 ALLENS UNDER REAR CORNERS).
REAR FENDER (4 ALLENS IN STORAGE, SEE FIG. A). UNPLUG ALL WIRES TO FENDER.
UPPER TAIL (ALLEN ON TOP REAR, 2 RIVETS TOP FRONT (TURN WITH PHILLIPS
SCREWDRIVER ¼ TURN THEN PULL OUT), 2 RIVETS ON BOTTOM SIDES (PULL
UP THEN PULL DOWN), DISCONNECT SEAT LATCH CABLE.
6 PHILLIPS HOLDING THE 2 RUBBER CAPS (FIG A), 2 RIVETS TOP FRONT AND 2 RIVETS
TOP REAR HOLDING THE LOWER PANEL (FIG A). 2 EXHAUST MOUNTING BOLTS
UNDER THE RUBBER CAPS. PUSH DOWN ON THE LOWER PANEL SO THAT IT
DROPS DOWN ENOUGH SO THAT YOU CAN FEED THE WIRE HARNESS WITH THE
4 PLUGS BACK THROUGH TOWARDS THE FRONT OF THE BIKE AND OUT THE
ROUND OPENING IN THE STORAGE AREA. REPLACE SCREWS, BOLTS & RIVETS.

FIG. F: REMOVE 2 ALLEN BOLTS AND PULL ALL WIRING UNITS TO THE SIDE.

FIG. G: DRILL HOLES AS SHOWN, THE ¼ " HOLE SHOULD BE CENTERED AND ¾ " BACK FROM
LARGE ALLEN BOLTS, THE 5/16" HOLE SHOULD BE RIGHT IN THE CORNER OF THE
LOWER SECTION AS SHOWN.

MOUNT: SIGNALS TO THE SIGNAL MOUNT USING ALL THE 2 SIDED TAPE PROVIDED. RUN WIRES
THROUGH HOLES AND ZIP TIE THEM TOGETHER AS SHOWN IN FIG. B. ATTACH THE
SIGNAL MOUNT AND LICENSE PLATE TO THE LICENSE PAN USING 6x10 ALLEN BOLTS
PROVIDED. RUN WIRES UP THROUGH ACCESS HOLE. SEE FIGS. B, C, D.

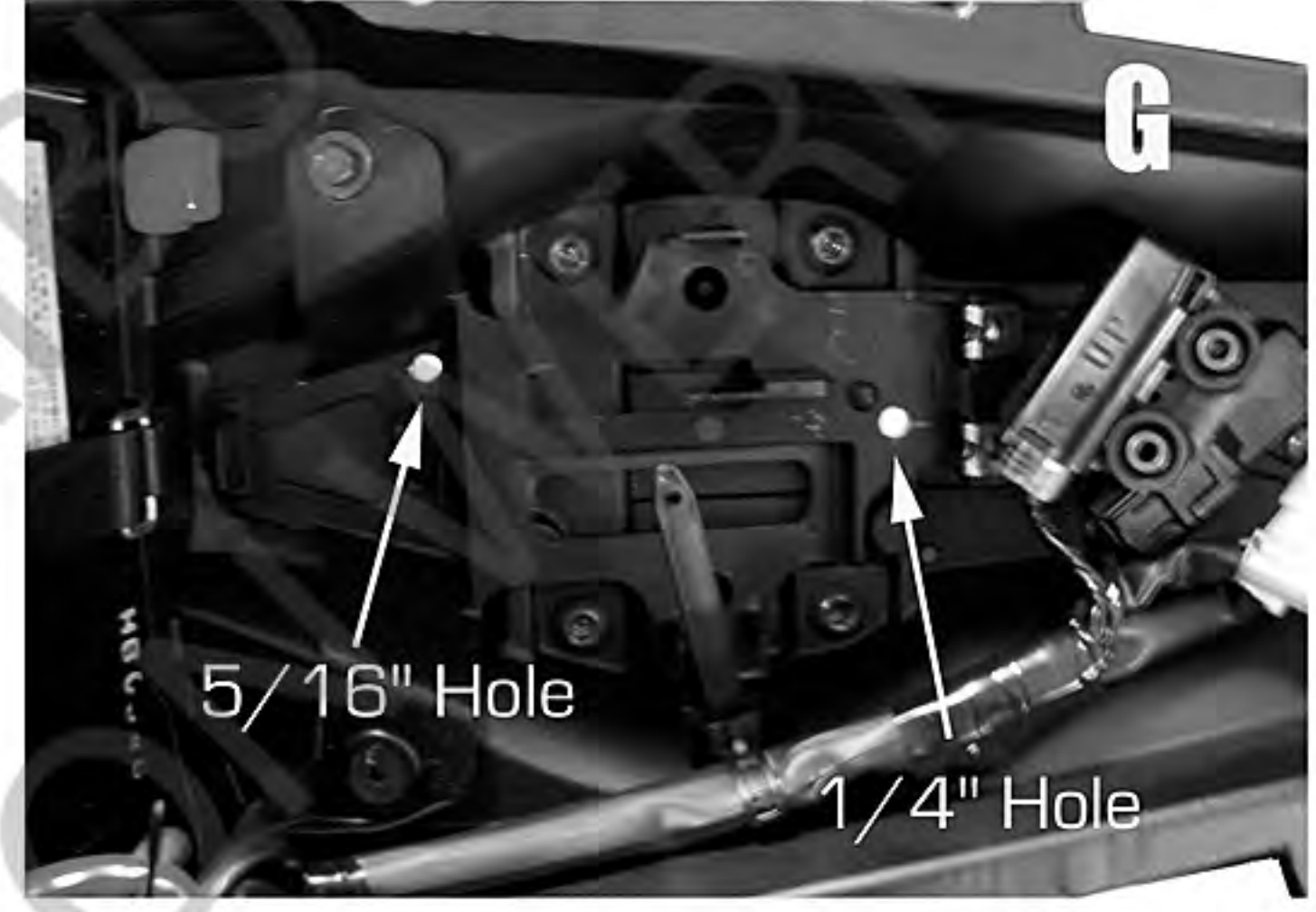
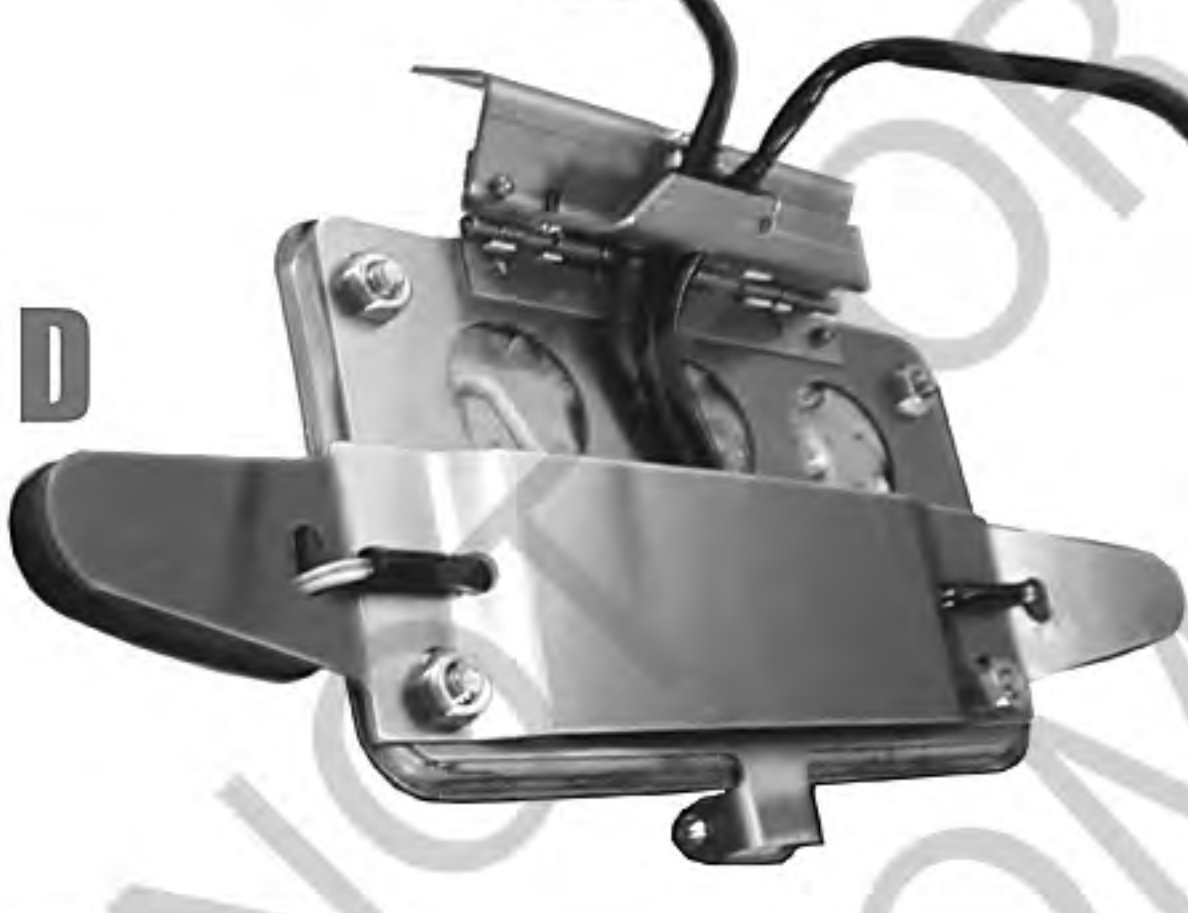
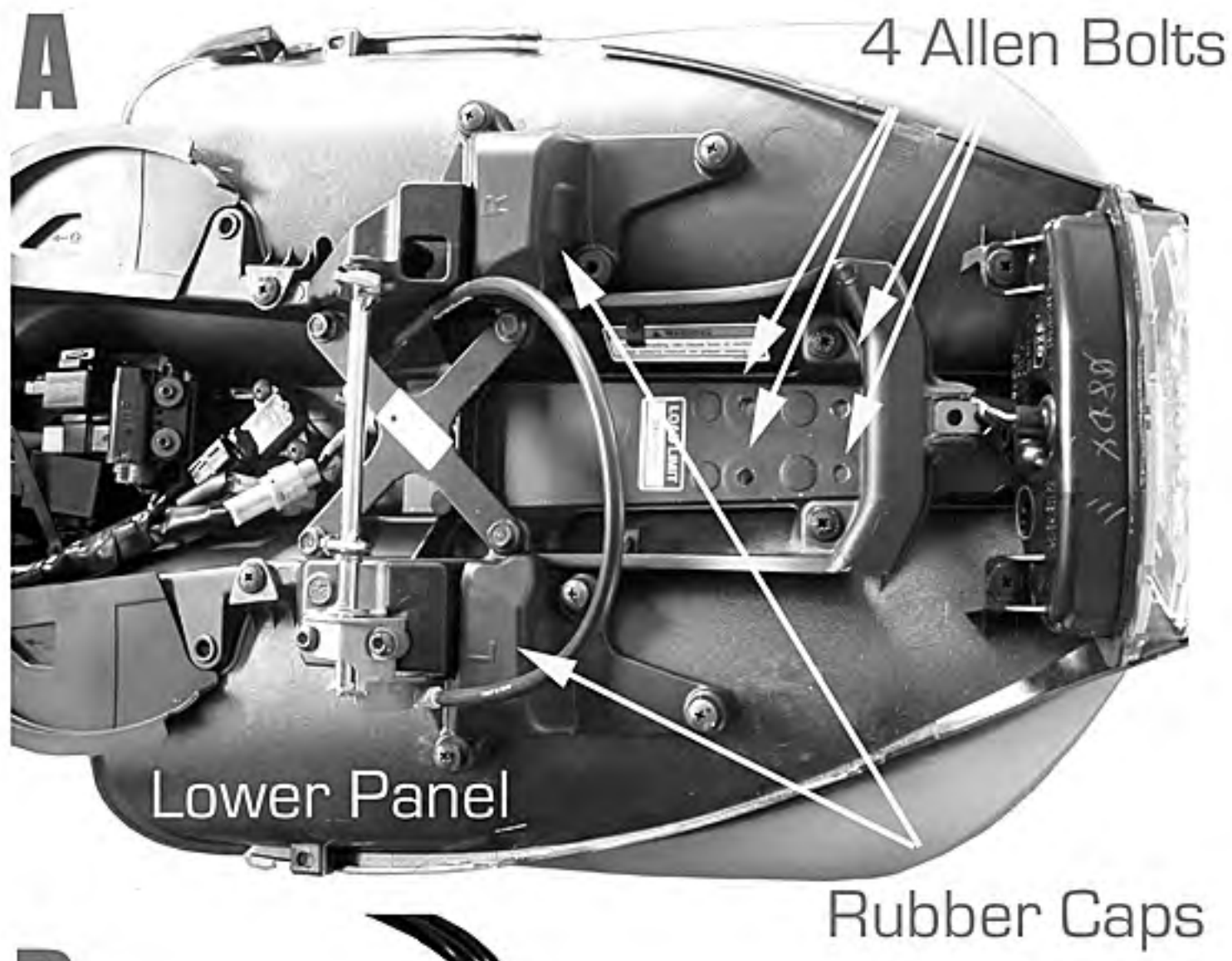
LOOSEN: THE 4 ALLEN BOLTS HOLDING THE REAR FOOT PEG MOUNTS, REMOVE THE 2
FORWARD BOLTS. SLIDE THE ENTIRE ASSEMBLY BETWEEN FRAME AND FOOTPEG
MOUNTS WHILE ALSO GUIDING THE WIRES UP THROUGH THE 5/16 HOLE.
RETIGHTEN BOLTS.

MOUNT: LICENSE PLATE LIGHT RUNNING WIRES UP THROUGH ¼ HOLE (FIG E).

REMOVE: STOCK CONNECTORS FROM THE STOCK SIGNALS BY CUTTING OFF WITH A COUPLE
INCHES OF WIRE AND THEN SPLICING TO SIGNALS SUPPLIED USING PINK SPLICERS.

REPLACE: WIRES UNITS TO ORIGINAL LOCATION. INSERT LARGE METAL PLUG SUPPLIED IN
THE LARGE HOLE UNDERNEATH LOWER PANEL BETWEEN THE MUFFLERS, AND FILL
THE REMAINING 4 HOLES WITH 6X20 ALLEN BOLTS PROVIDED. REMOUNT BODY
WORK AND SEATS.

PARTS LIST: MAIN PAN W/HINGE AND SPRING, PAIR TURN SIGNALS, 4 – 6X10 ALLEN BOLTS, 4 –
6X20 ALLEN BOLTS, 8 NUTS, 8 WASHERS, 1 SM. ZIP TIE, 6 CONNECTORS, 1 LARGE PLUG ,
1 LICENSE PLATE LIGHT.



YAMAHA R1



*** Important!**

