

96 CBR900RR

CAUTION: STAINLESS STEEL EDGES CAN BE SHARP!

NOTE: HARDWARE MAY OR MAY NOT BE METRIC

1. REMOVE FRONT SEAT (2 BOLTS UNDER REAR CORNERS OF SEAT).
2. REMOVE TAIL SECTION OF BODY WORK (2 BOLTS IN EACH SIDE, 2 SMALL SCREWS AT REAR, AND 2 METAL CLIPS UNDER SEATS HOLDING THE TWO SIDE COVERS TOGETHER) THEN LIFT OFF AS A SINGLE UNIT.
3. REMOVE THE 2 BOLTS THAT HOLD TAIL LIGHT ASSEMBLY TO FENDER. UNPLUG.
4. UNPLUG AND REMOVE TURN SIGNALS AND REMOVE FROM FENDER.
5. UNPLUG AND REMOVE LICENSE PLATE LIGHT ASSEMBLY, THEN SEPARATE LIGHT FROM MOUNT. (FIG.B).
6. MARK AND CUT FENDER -TAKE YOUR TIME. THE CUTTING IS EASY BUT THE FENDER IS COMPLICATED- USE THE ILLUSTRATION (FIG. A).IT'S BEST TO FIRST MAKE THE CUTS SHOWN IN THE SIDE VIEW STARTING WITH THE HORIZONTAL CUT THEN THE VERTICAL ONE. NEXT CUT ALONG BACK AS SHOWN IN REAR VIEW AND THEN CUT OUT AREA SHOWN IN TOP VIEW. CAN BE CUT WITH HACKSAW BLADE, RECIPRICATING SAW, OR HEATED PUTTY KNIFE BLADE.
7. SET FENDER SUPPORT IN PLACE (FIG B) TO CHECK THAT IT FITS FLUSH, IF NOT, TRIM.
8. USING *SUPPORT* AS A TEMPLATE HOLD UP IN PLACE AND DRILL 6 MOUNTING HOLES, 4 IN BOTTOM, 2 IN REAR OF FENDER, THEN DRILL 2 HOLES FOR SIGNAL WIRES TO COME UP THROUGH (FIG. C).
9. MOUNT FENDER SUPPORT, LICENSE PAN, SIGNAL BRACKETS, AND MUD GUARD IN PLACE TOGETHER USING 6 6X16M BOLTS, 6 LARGE WASHERS ON TOP AND 6 SMALL WASHERS ON BOTTOM, AND LOCKNUTS.
10. MARK PLACE ON FENDER USING FIG. D AND USING SIDE OF DRILL BIT GRIND DOWN 2 NOTCHES ABOUT AN 1/8 INCH DEEP FOR MOUNTING CLEARANCE OF LICENSE PLATE LIGHT.
11. MOUNT LICENSE PLATE, TURN SIGNALS, AND LICENSE PLATE LIGHT AS SHOWN IN FIG. B. SIGNAL WITH ORANGE WIRE GOES ON LEFT. RUN WIRES UP THROUGH HOLES IN FENDER. CONNECT ALL WIRES AND CHECK FOR PROPER OPERATION BEFORE CONTINUING.
12. PLUG IN TAIL LIGHT ASSEMBLY AND MOUNT BACK IN PLACE ON FENDER, BE SURE TO CATCH THE NOTCHES IN THE MUD GUARD ON THE 2 PROTUSIONS ON THE BOTTOM INSIDE LIP OF TAIL LIGHT ASSEMBLY NEAR THE 2 BOTTOM SCREW HOLES. REMOUNT TAIL SECTION CAREFULLY PUSHING MUD GUARD UP INTO PLACE.

REAR VIEW (AFTER CUT)

SIDE VIEW

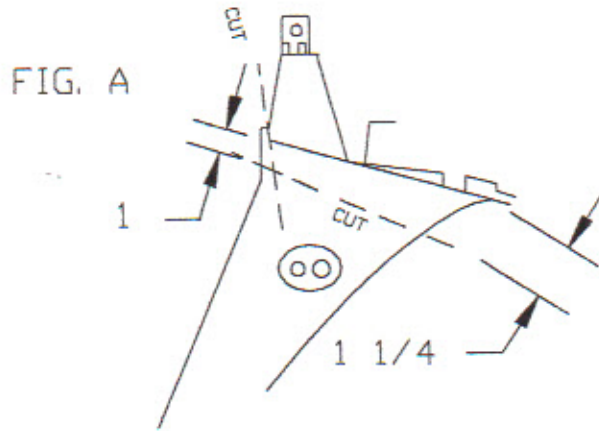


FIG. A

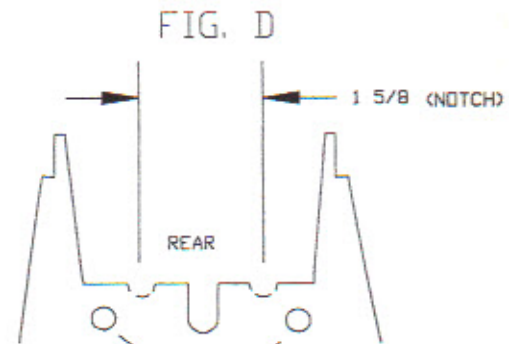
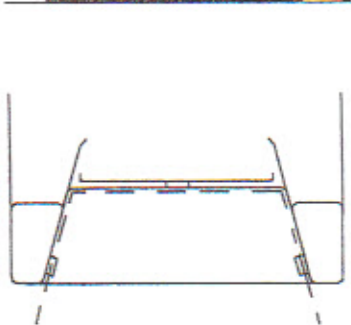


FIG. D



TOP VIEW

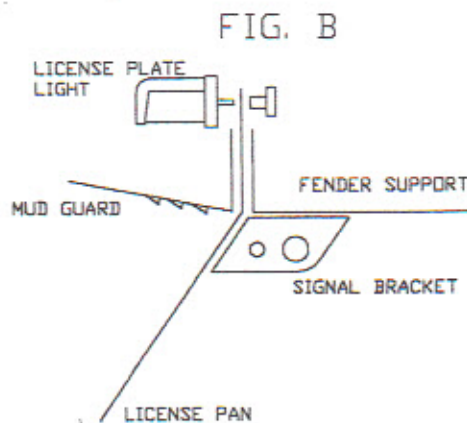


FIG. B

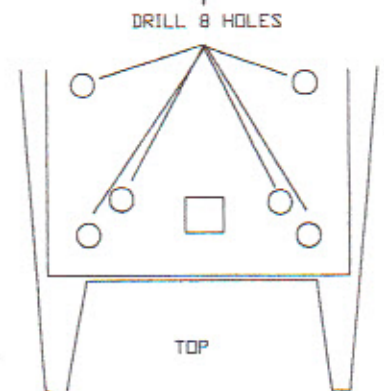


FIG. C