



---

## Cornerstone Raised Garden Bed

### Installation Guide

---

#### Thank You!

You're only a few steps away from your perfect vegetable garden or elevated planter. We hope you enjoy!

Model# R212421  
Dimensions 24" L x 21" W x 21" H

#### Before You Start

Please read the instructions carefully to familiarize yourself with every detail and step involved. Keep this manual for future reference. Find a suitable space to assemble your new Cornerstone Raised Garden Bed.

You need at least 24" x 21" (61 x 54cm) for the finished product. A flat and firm area (like a garage floor or flat yard space) is perfect! The only tool you may need is a rubber mallet.

#### Important Notes

Small parts are included; we advise you to keep them away from children and pets.

We also suggest having another person help you assemble. Maximum Load capacity: approximately 5 cu. ft. of soil

★ **Subscribe at [www.everbloom-garden.com](http://www.everbloom-garden.com) for extra savings and upgrading information!**



**Everbloom-Garden.com**

Questions or Comments?

Email us at [service@everbloom-garden.com](mailto:service@everbloom-garden.com)

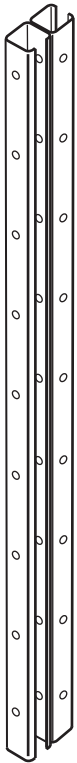
# Parts List

Cornerstone Raised Garden Bed - 24" L x 21" W x 21" H

---

Left Corner  
Post  
X 2

Top



Bottom

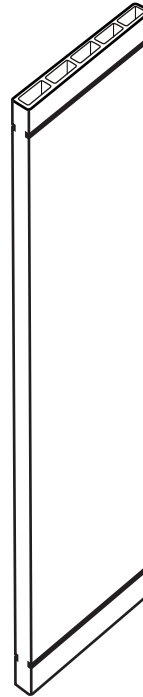
Right Corner  
Post  
X 2

Top



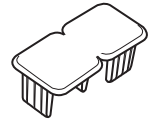
Bottom

Short Board  
X 12



540mm

Post Cap  
X 4



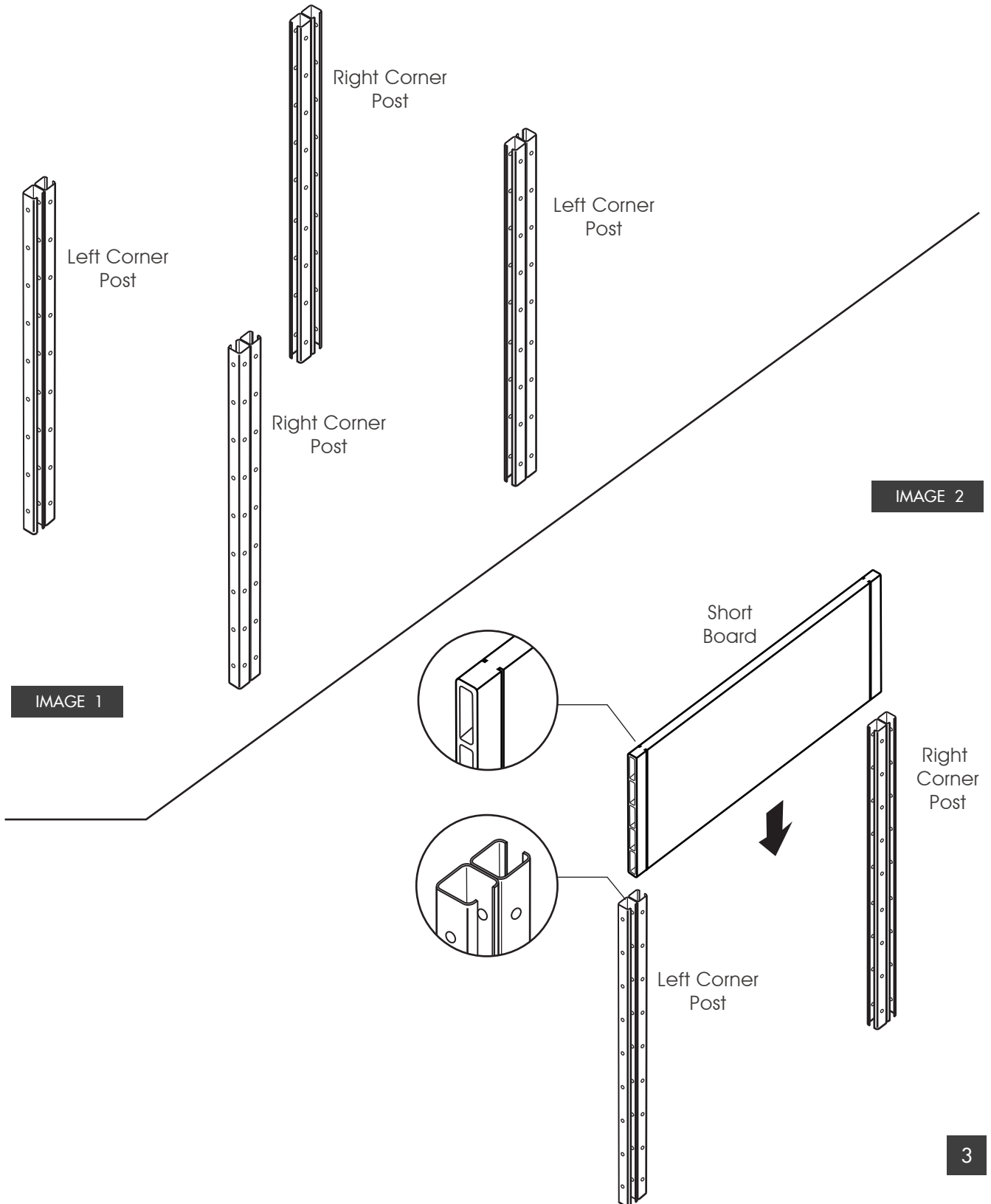
+ 2pc  
replacement

# Assembly

## Cornerstone Raised Garden Bed - 24" L x 21" W x 21" H

Start by making sure each corner post is oriented correctly. Reference Image 1. Slide one short board into the corner posts from above.

Note: The boards need to be placed in the inward "U" shape of the brackets. (Image 2).

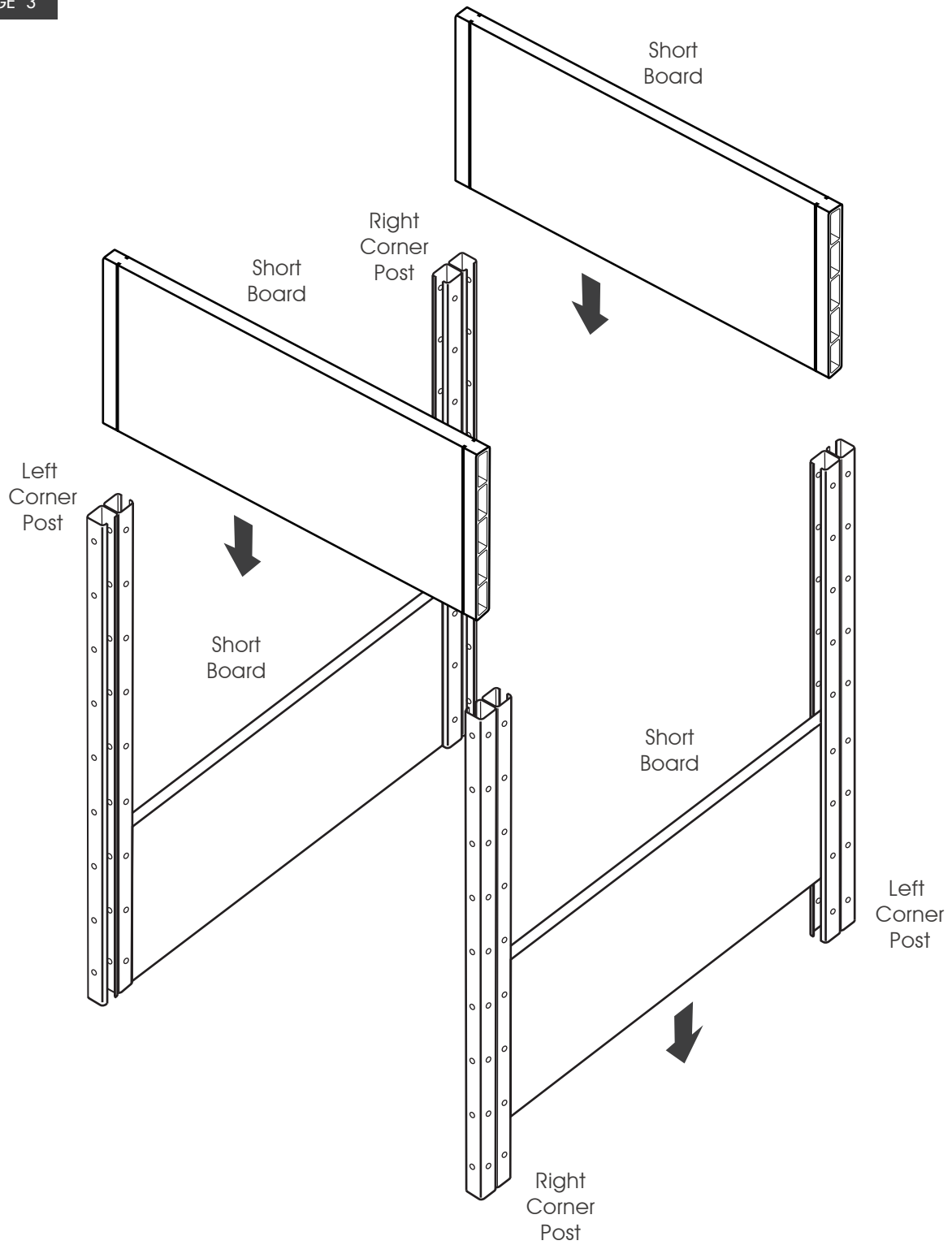


# Assembly

## Cornerstone Raised Garden Bed - 24" L x 21" W x 21" H

Slide three short boards into the corner posts from above, as shown in Image 3.

IMAGE 3



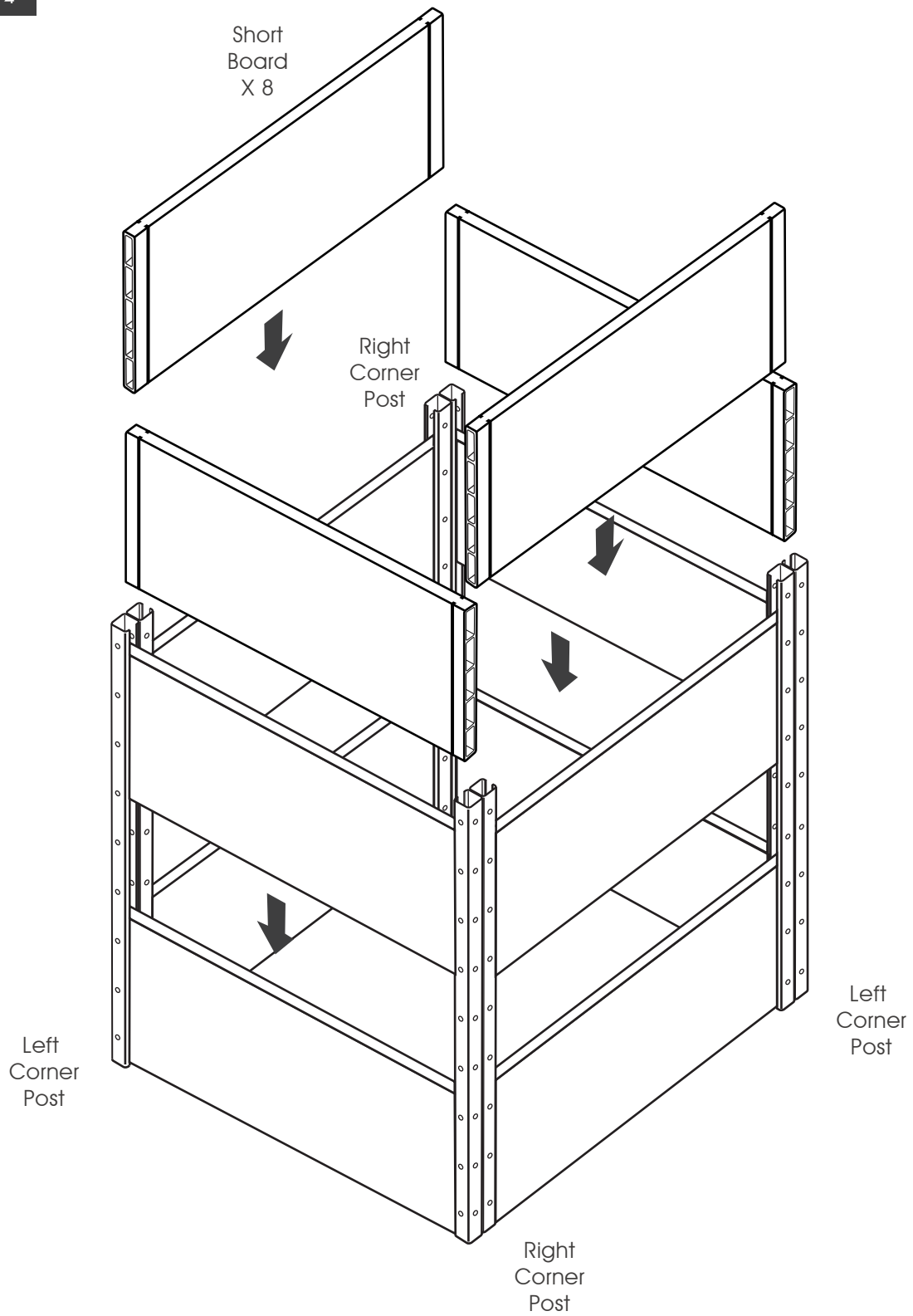
# Assembly

## Cornerstone Raised Garden Bed - 24" L x 21" W x 21" H

---

Slide the rest eight boards to form the second and third layers, as shown in Image 4.

IMAGE 4

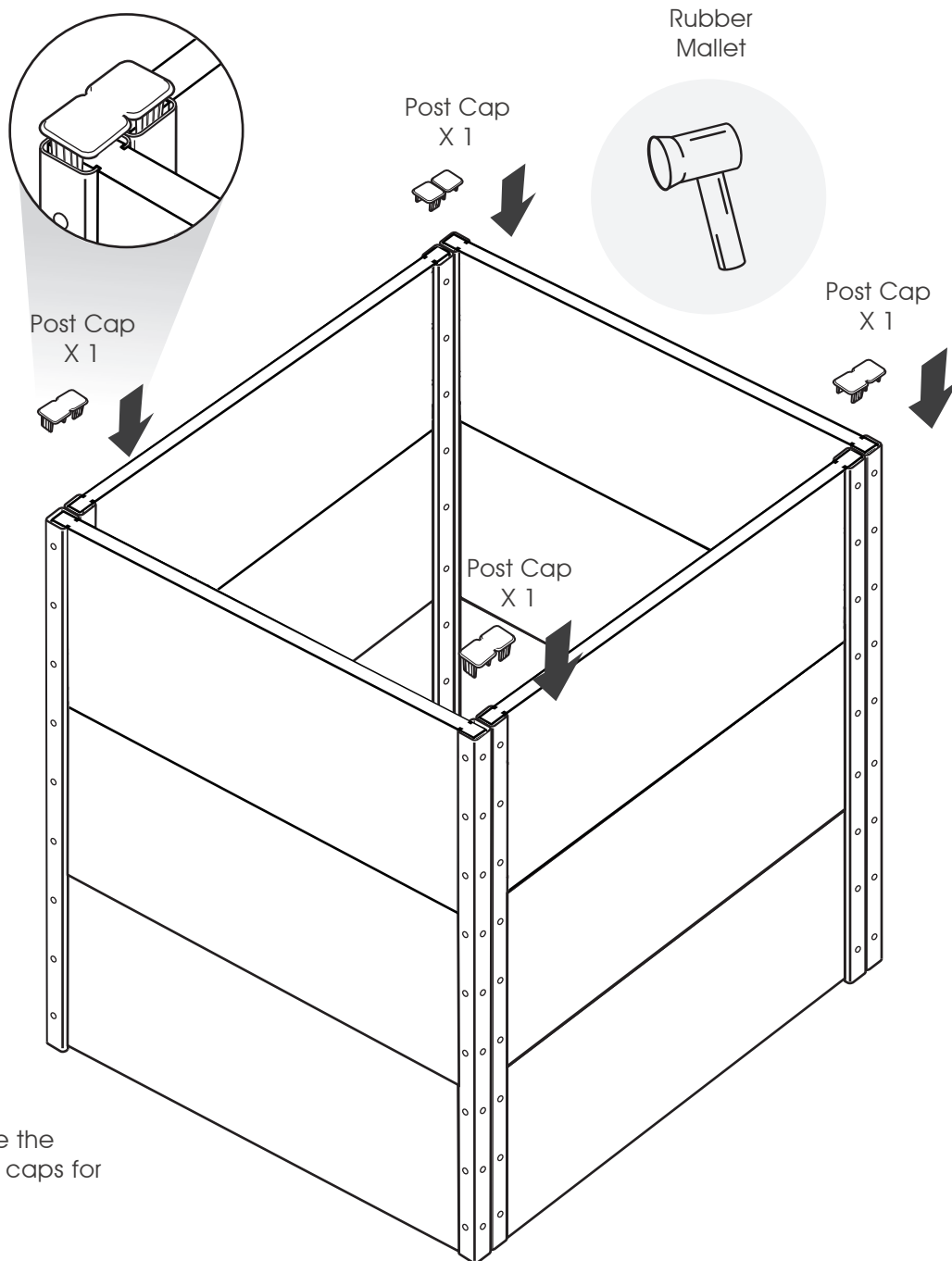


# Assembly

## Cornerstone Raised Garden Bed - 24" L x 21" W x 21" H

If necessary, use your rubber mallet to ensure the boards are tightly in place. Cover the brackets with the 4 end caps, as shown in Image 5.

IMAGE 5



Note: Store the additional caps for future use.

# Notes

## Cornerstone Raised Garden Bed - 24" L x 21" W x 21" H

---

Sometimes there might be a misalignment of the Corner Posts as shown in Image 6 and Image 7, which may result in difficulty of sliding boards into the brackets. Please adjust them to the right position so that they are parallel to each other, and perpendicular to the ground.

IMAGE 6

Assembling Problem 1

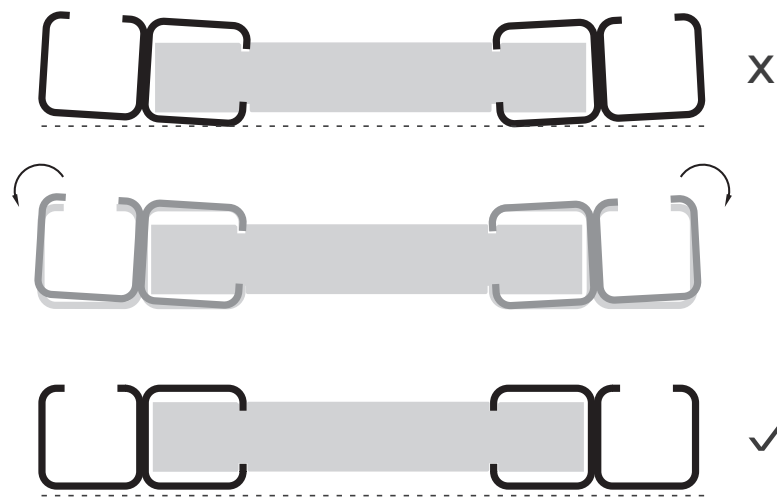
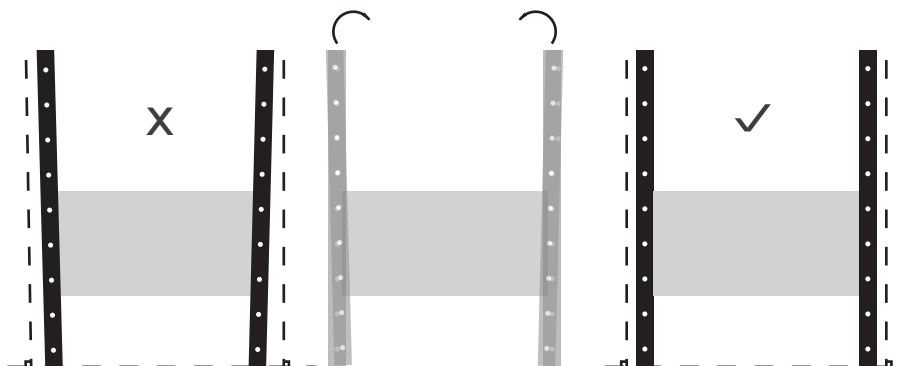


IMAGE 7

Assembling Problem 2



# Bloom On.

Everbloom-Garden.com

US Patent Pending

★ Subscribe at [www.everbloom-garden.com](http://www.everbloom-garden.com) for  
extra savings and upgrading information!



Distributed by:  
Dynaforge Trading LLC  
St. Paul, MN55101  
Email: [service@everbloom-garden.com](mailto:service@everbloom-garden.com)