



Deep Trough Planter Box

Installation Guide

Thank You!

You're only a few steps away from your perfect vegetable garden or elevated planter. We hope you enjoy!

Model# E213612 / E213612G
Dimensions 36" L x 12" W x 21" H

Before You Start

Please read the instructions carefully to familiarize yourself with every detail and step involved. Keep this manual for future reference. Find a suitable space to assemble your new Trough Planter Box.

You need at least 37" x 13" (94 x 33cm) for the finished product. A flat and firm area (like a garage floor or flat yard space) is perfect! The only tool you may need is a rubber mallet.

Important Notes

Small parts are included; we advise you to keep them away from children and pets.

We also suggest having another person help you assemble. Maximum Load Capacity: approximately 4 cu. ft. of soil

★ **Subscribe at www.everbloom-garden.com for extra savings and upgrading information!**



Everbloom-Garden.com

Questions or Comments?

Email us at service@everbloom-garden.com

Parts List

Deep Trough Planter Box - 36" L x 12" W x 21" H

Left Corner
Post
X 2

Top



Bottom

Right Corner
Post
X 2

Top



Bottom

Long
Board A
X 2



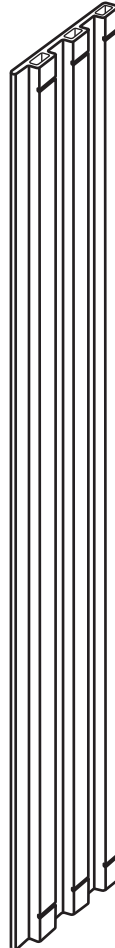
900mm

Long
Board B
X 2



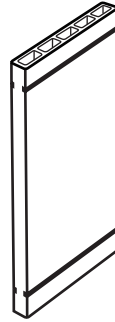
900mm

Long Support
Board
X 2



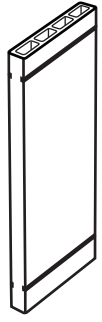
900mm

Short
Board A
X 4



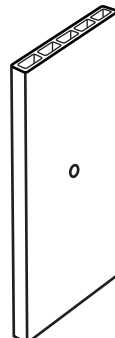
240mm

Short
Board B
X 2



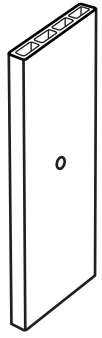
240mm

Bottom
Board A
X 2



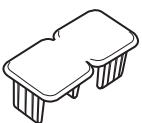
280mm

Bottom
Board B
X 4



280mm

Post Cap
X 4



+ 2pc
replacement

Assembly

Deep Trough Planter Box - 36" L x 12" W x 21" H

Eleven depths are available by changing the sequence of the boards and position of the bottom boards, as shown in below images. You can choose according to different needs first.

* For depth of 2.5", 5", 7.25", 9.5", 9.75", 12", 14.4" and 17" as shown in Image 1, 2, 3 and 4, please refer to steps from page 4.

* For depth of 4.75", 7" and 11.9" as shown in Image 2, 3 and Image 4, please refer to steps from page 10.

IMAGE 1

Depth 2.5", 5"

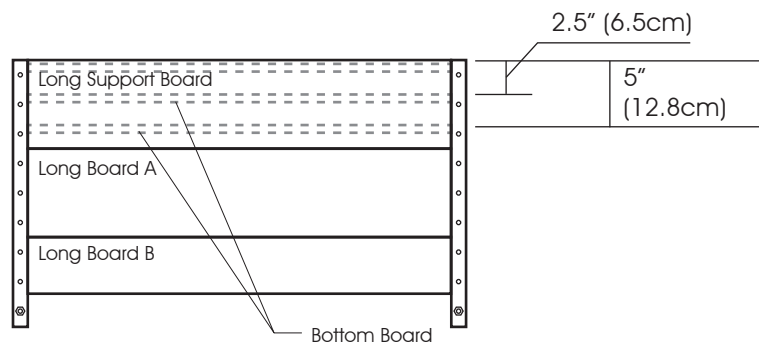


IMAGE 2

Depth 4.75", 7.25", 9.75"

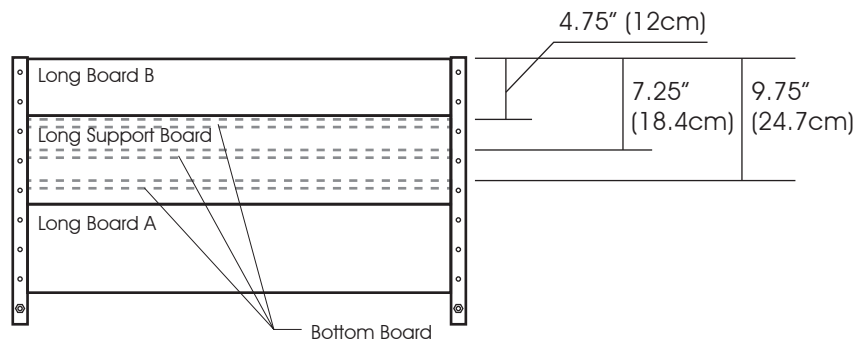


IMAGE 3

Depth 7", 9.5", 12"

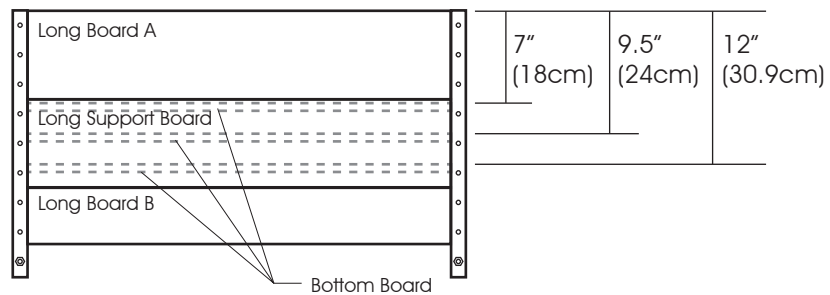
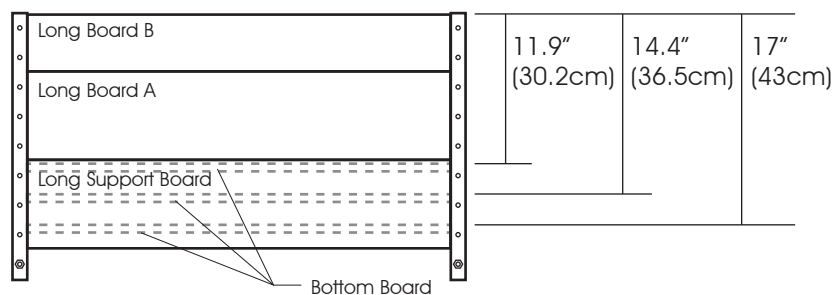


IMAGE 4

Depth 11.9", 14.4", 17"



Assembly

Deep Trough Planter Box - 36" L x 12" W x 21" H

For the deeper planting depths of 17", please follow steps below.

For other depths, the assembly methods are similar, just pay attention to the sequence of the boards and position of the bottom boards, please refer to page 3.

Start by making sure each corner post is oriented correctly, as shown in Image 3. Slide one short board A into the corner brackets from above.

Note: The short boards need to be placed in the inward "U" shape of the brackets, as shown in Image 4.

IMAGE 3

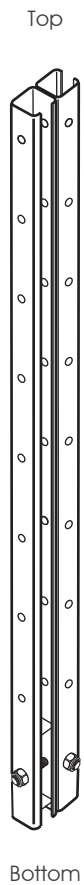
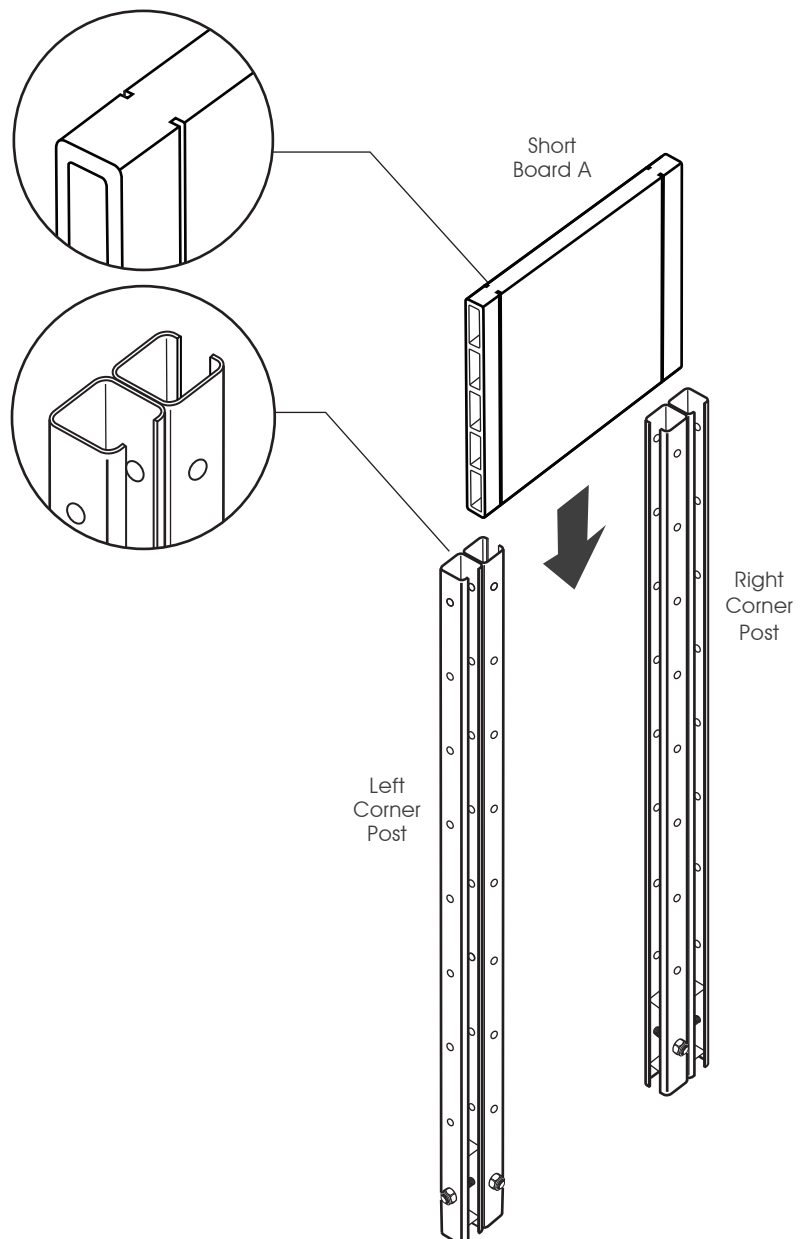


IMAGE 4

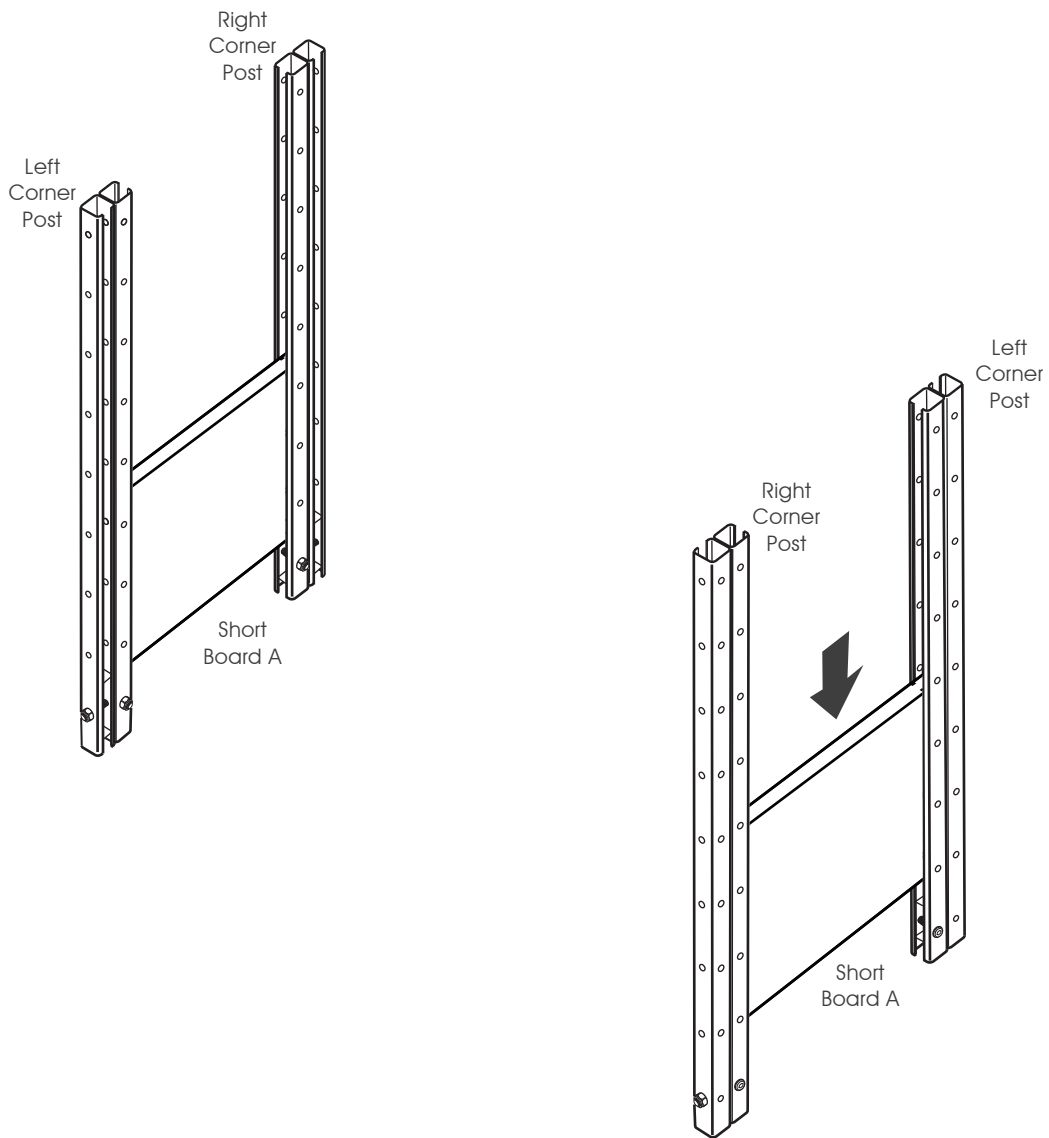


Assembly

Deep Trough Planter Box - 36" L x 12" W x 21" H

Slide another short board A into the other two corner brackets from above, as shown in Image 5.

IMAGE 5

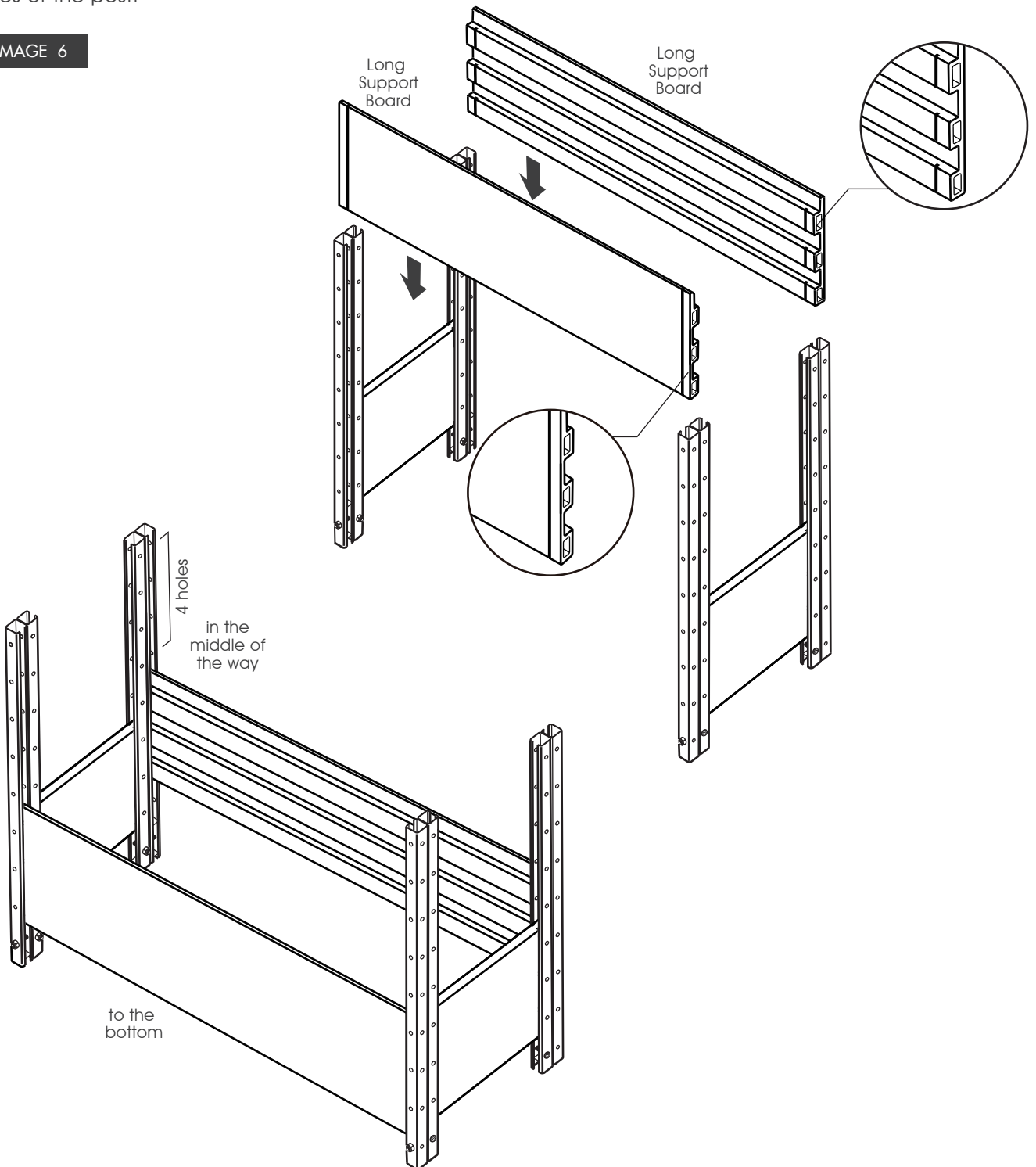


Assembly

Deep Trough Planter Box - 36" L x 12" W x 21" H

With the help of another person holding the 2 assembled parts, slide the 2 long support boards into the brackets from above. Make sure that one support board goes straight to the bottom, while the other one stays in the middle of the way (don't push it to the bottom), with the top edge between the 4th and 5th holes of the post.

IMAGE 6

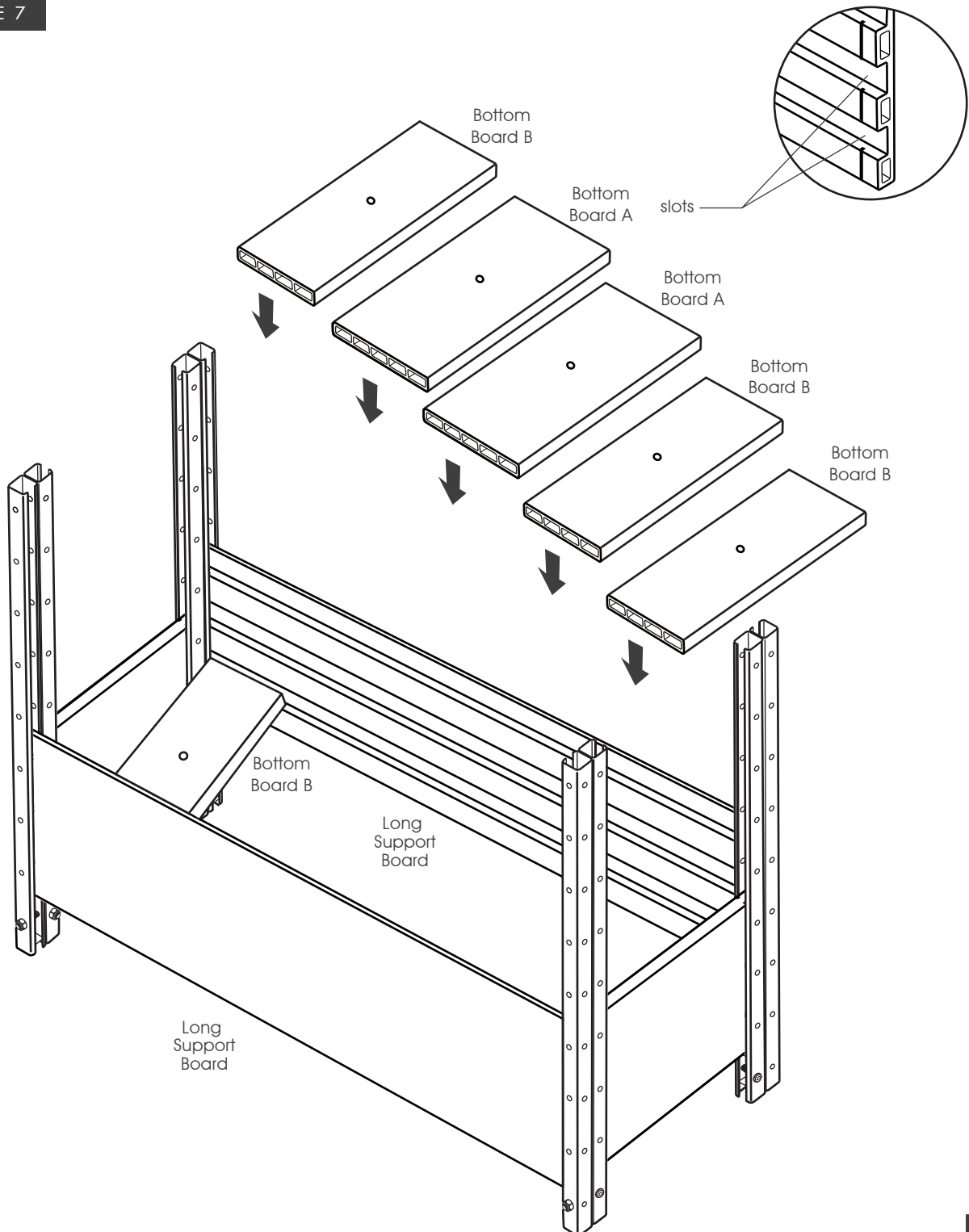


Assembly

Deep Trough Planter Box - 36" L x 12" W x 21" H

Put the bottom boards on the lower slot of long support boards. Make sure the 2 ends of these bottom boards go into the slot and rest in them with enough contact as shown in Image 7. Adjust the height of the higher long support board slightly to hold these bottom boards if necessary.

IMAGE 7

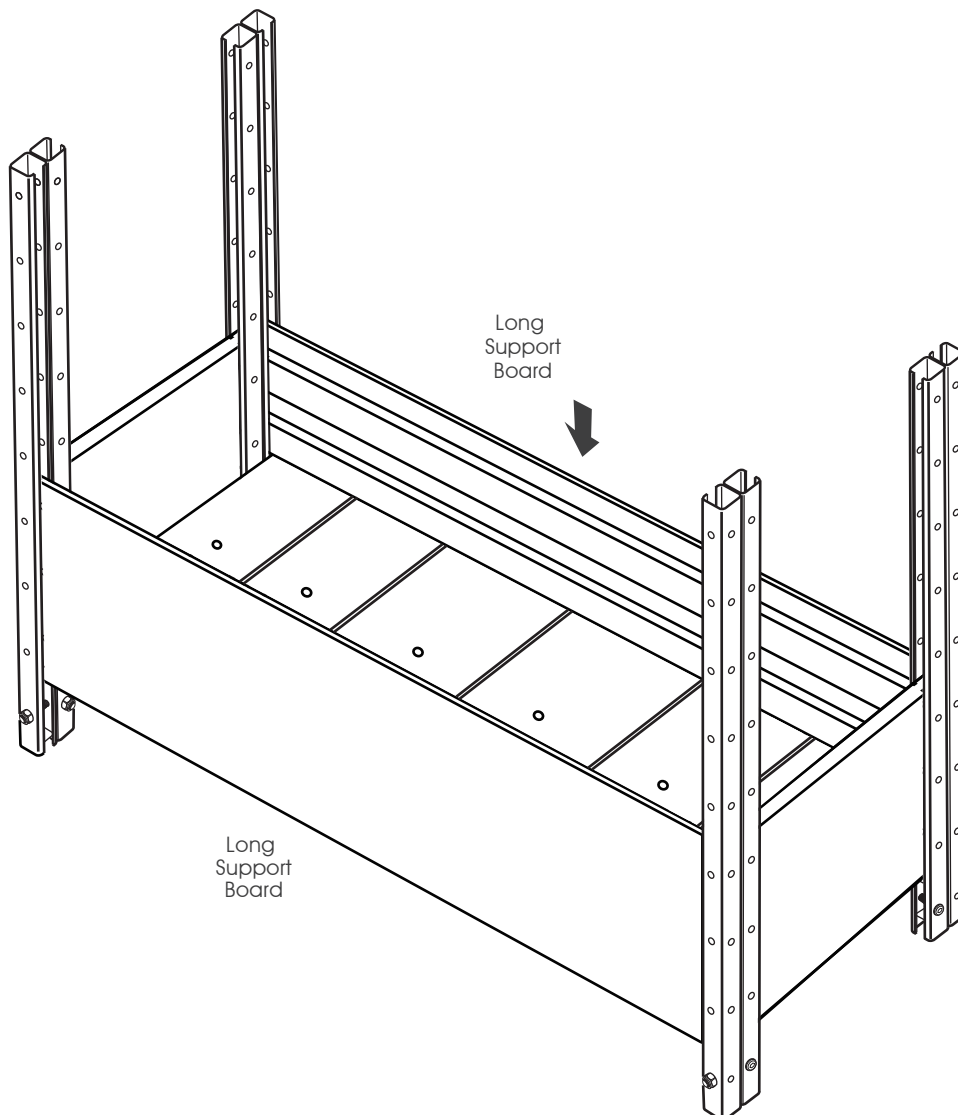


Assembly

Deep Trough Planter Box - 36" L x 12" W x 21" H

Push down the higher long support board to the bottom, as shown in Image 8.

IMAGE 8



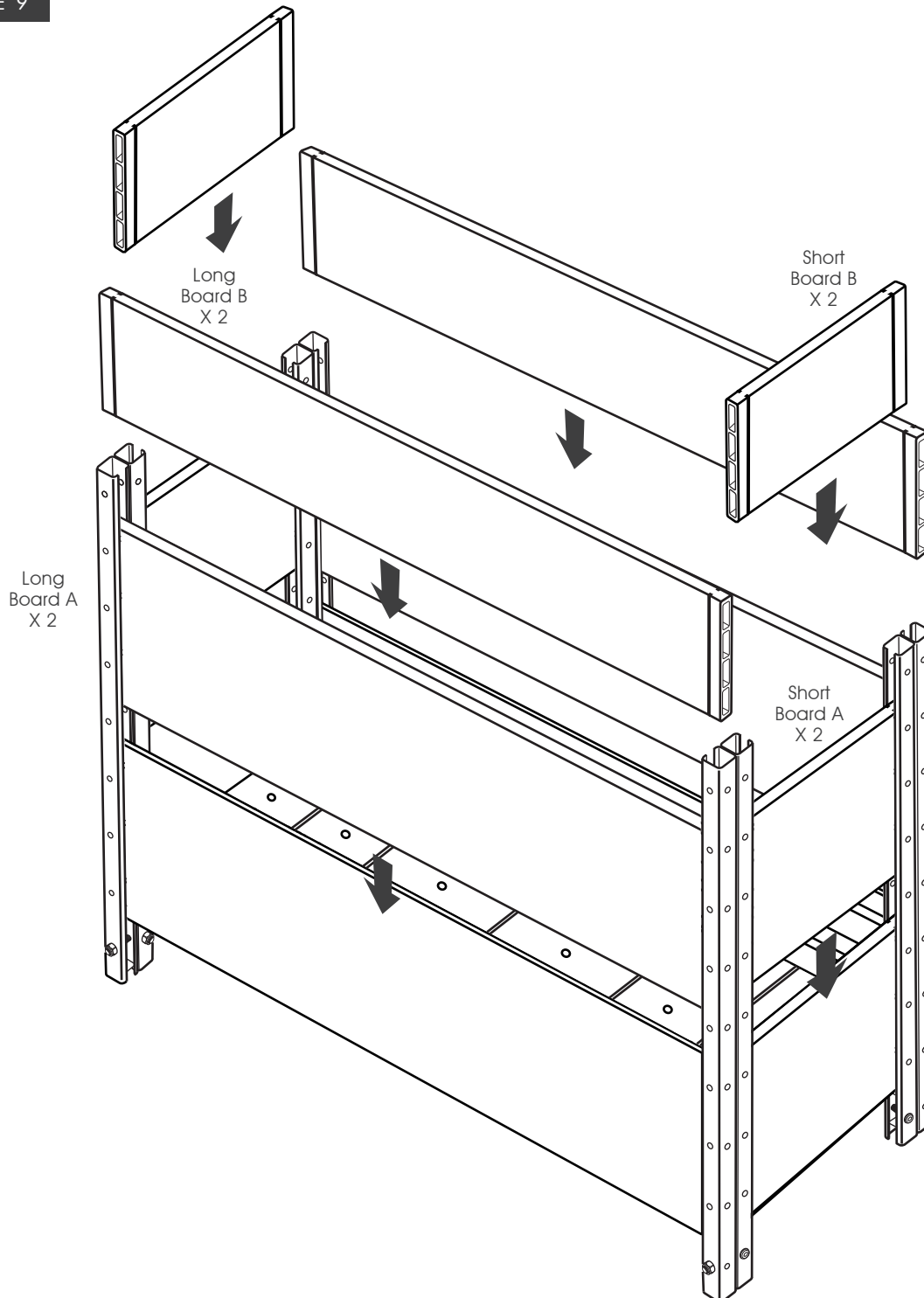
Assembly

Deep Trough Planter Box - 36" L x 12" W x 21" H

Slide the remaining boards into place, as shown in Image 9. Now you get an trough planter box with 17" planting depth. Then, go to page 15, and follow the steps afterwards.

Note: If you want to add trellis kit onto this bed, please assemble the extension connectors **before** this step, to avoid disassembling the boards later.

IMAGE 9



Assembly

Deep Trough Planter Box - 36" L x 12" W x 21" H

For the planting depth of 11.9", please follow steps below.

For depth of 4.75" or 7", the assembly methods are similar, just pay attention to the sequence of the boards and position of the bottom boards, please refer to page 3.

Start by making sure each corner post is oriented correctly, as shown in Image 3a. Slide one short board B into the corner brackets from above.

Note: The short boards need to be placed in the inward "U" shape of the brackets, as shown in Image 4a.

IMAGE 3a

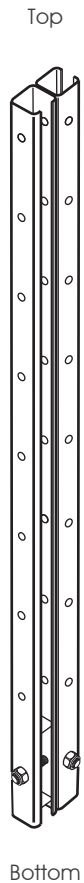
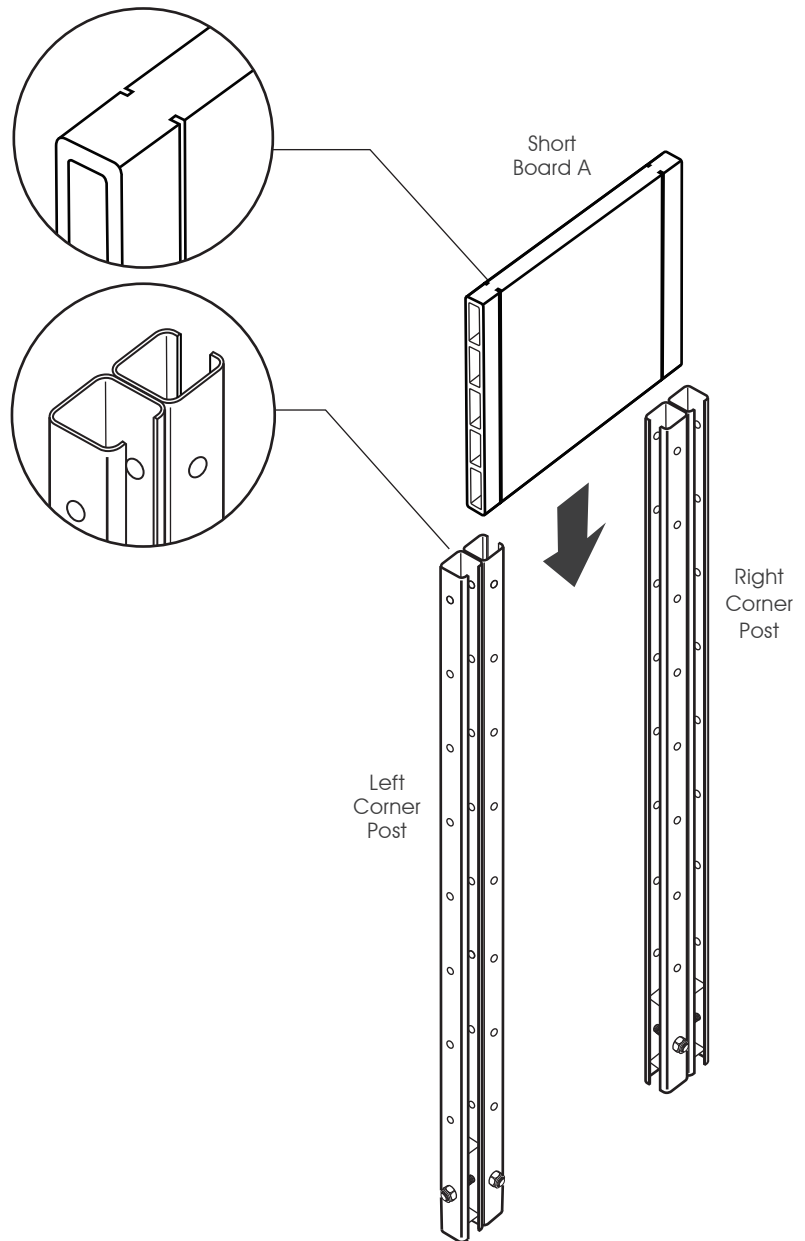


IMAGE 4a

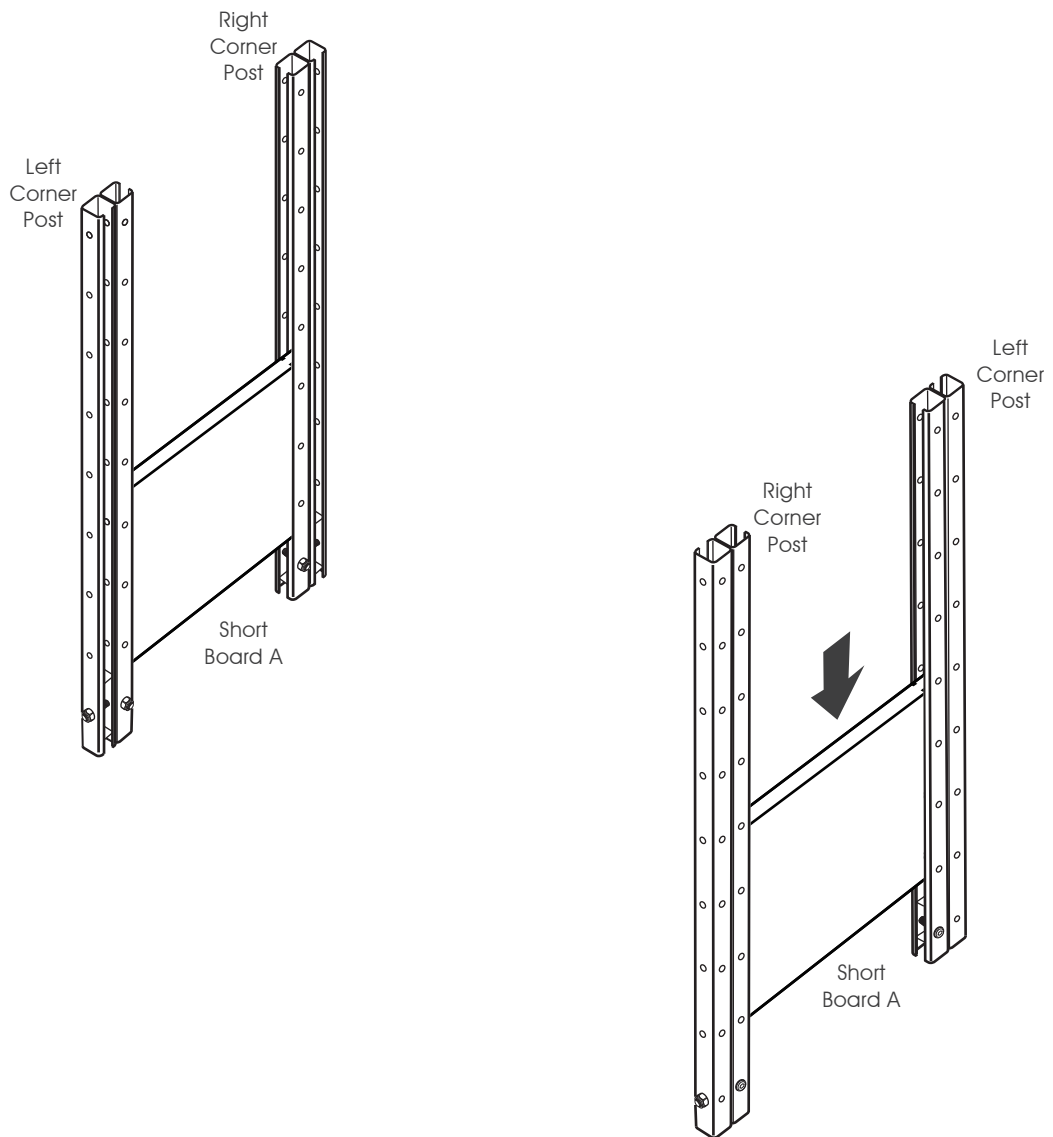


Assembly

Deep Trough Planter Box - 36" L x 12" W x 21" H

Slide another short board A into the other two corner brackets from above, as shown in Image 5a.

IMAGE 5a

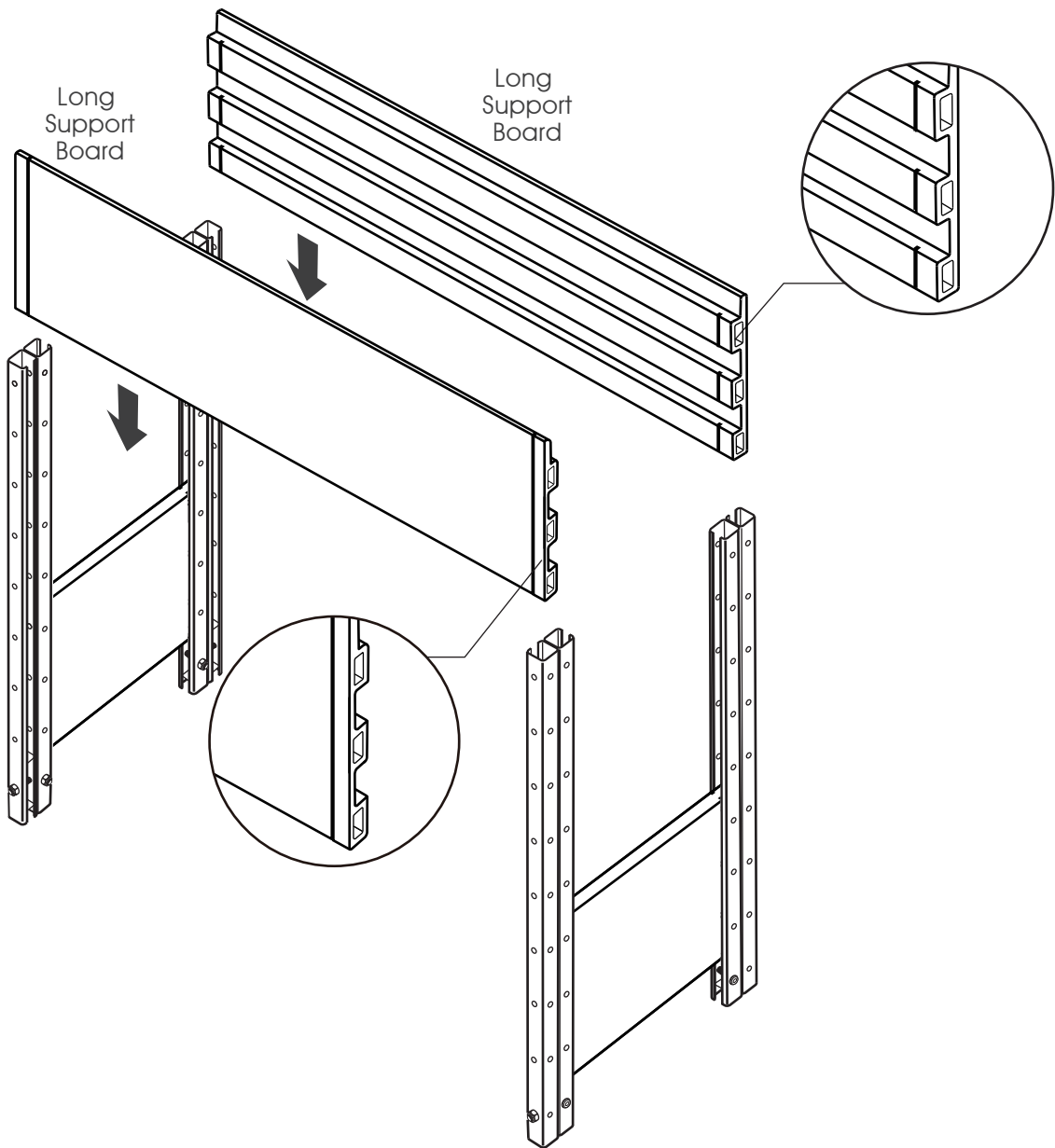


Assembly

Deep Trough Planter Box - 36" L x 12" W x 21" H

With the help of another person holding the 2 assembled parts, slide the 2 long support boards into the brackets from above to the bottom, as shown in Image 6a.

IMAGE 6a

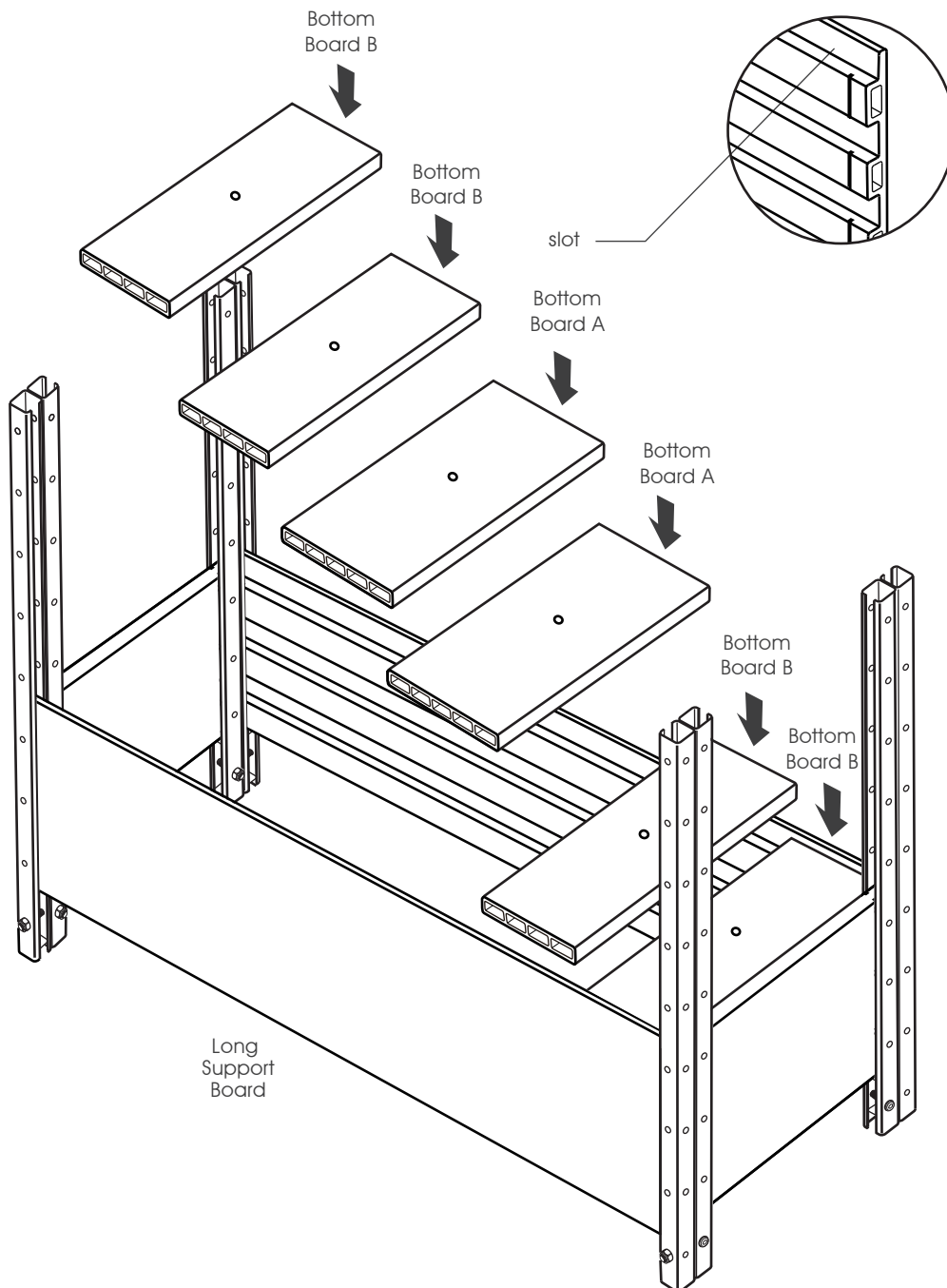


Assembly

Deep Trough Planter Box - 36" L x 12" W x 21" H

Put the bottom boards on the long support boards, as shown in Image 7a.

IMAGE 7a



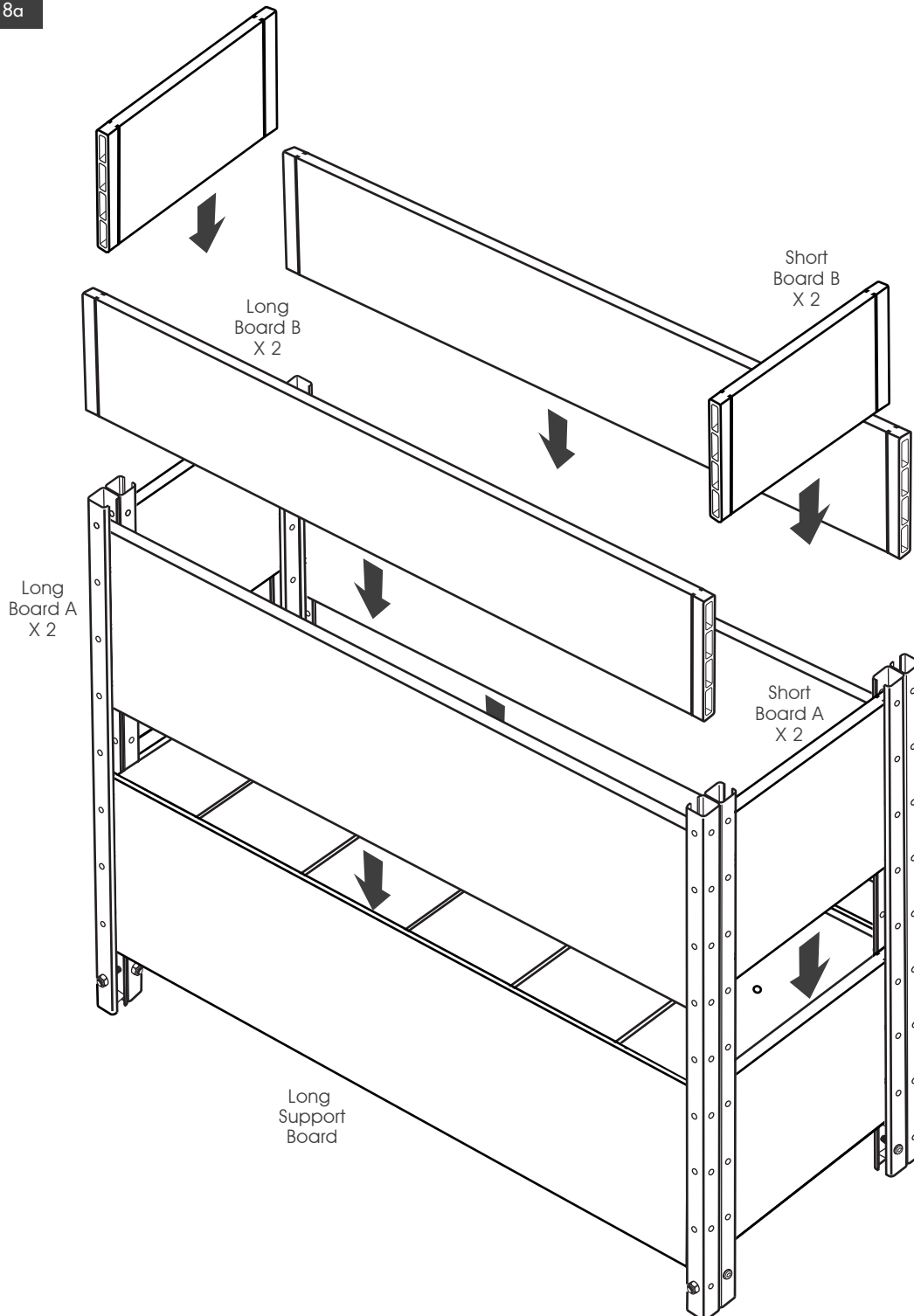
Assembly

Deep Trough Planter Box - 36" L x 12" W x 21" H

Slide the remaining boards into place, as shown in Image 8a. Now you get an trough planter box with 11.9" planting depth. Then, go to page 15, and follow the steps afterwards.

Note: If you want to add trellis kit onto this bed, please assemble the extension connectors **before** this step, to avoid disassembling the boards later.

IMAGE 8a

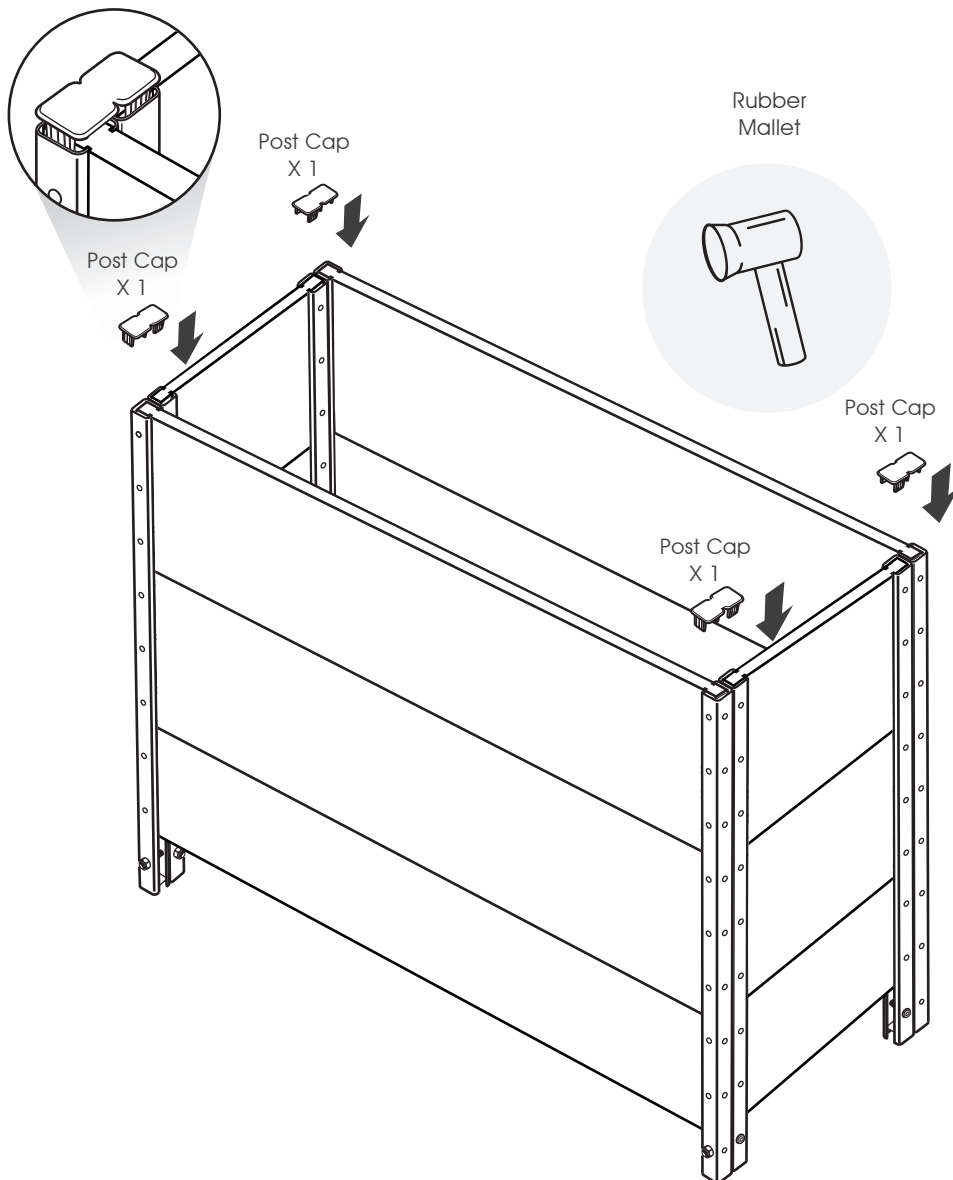


Assembly

Deep Trough Planter Box - 36" L x 12" W x 21" H

If necessary, use your rubber mallet to ensure the boards are tightly in place. Cover the brackets with the 4 end caps, as shown in Image 10.

IMAGE 10

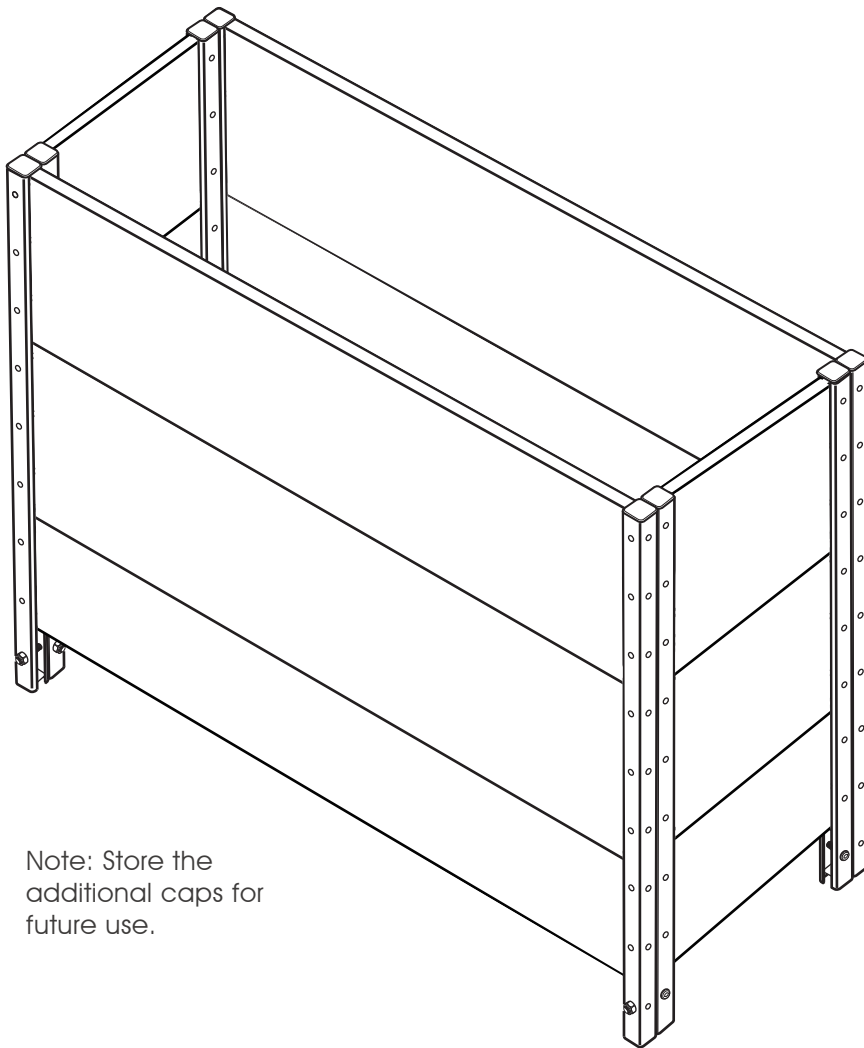


Assembly

Deep Trough Planter Box - 36" L x 12" W x 21" H

Then you get an Everbloom Deep Trough Planter Box, as shown in Image 11.

IMAGE 11



Note: Store the additional caps for future use.

Note

Deep Trough Planter Box - 36" L x 12" W x 21" H

Sometimes there might be a misalignment of the Corner Posts as shown in Image 12 and Image 13, which may result in difficulty of sliding boards into the brackets. Please adjust them to the right position so that they are parallel to each other, and perpendicular to the ground.

IMAGE 12

Assembling Problem 1

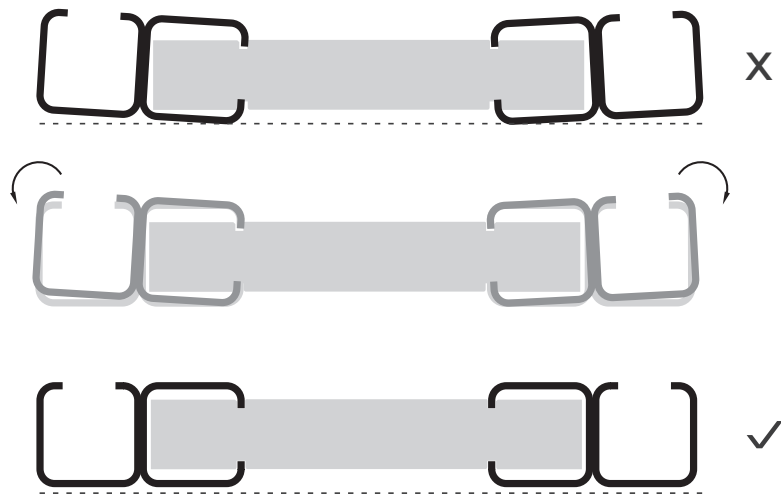
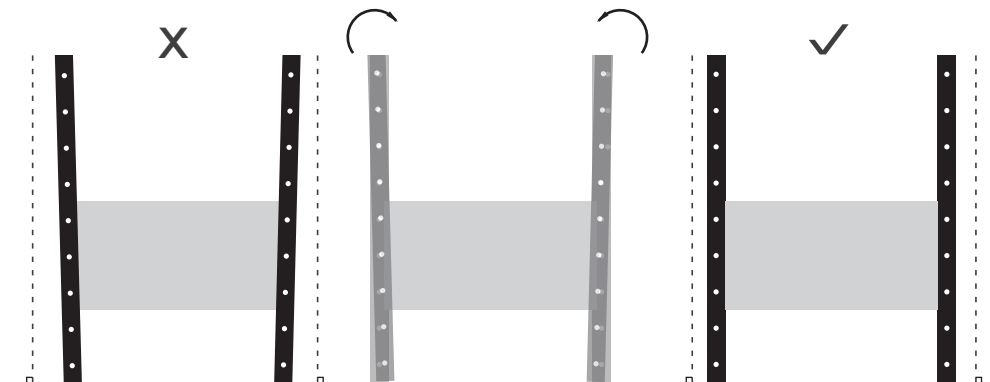


IMAGE 13

Assembling Problem 2



Bloom On.

Everbloom-Garden.com

US Patent Pending

★ Subscribe at www.everbloom-garden.com for
extra savings and upgrading information!



Distributed by:
Dynaforge Trading LLC
St. Paul, MN55101
Email: service@everbloom-garden.com