



Deskside Planter Box

Installation Guide

Thank You!

You're only a few steps away from your perfect vegetable garden or elevated planter. We hope you enjoy!

Model# E144519 / E144519G
Dimensions 45" L x 19" W x 14" H

Before You Start

Please read the instructions carefully to familiarize yourself with every detail and step involved. Keep this manual for future reference. Find a suitable space to assemble your new Deskside Planter Box.

You need at least 46" x 20" (117 x 51cm) for the finished product. A flat and firm area (like a garage floor or flat yard space) is perfect! The only tool you may need is a rubber mallet.

Important Notes

Small parts are included; we advise you to keep them away from children and pets.

We also suggest having another person help you assemble. Maximum Load Capacity: approximately 4 cu. ft. of soil

★ **Subscribe at www.everbloom-garden.com for extra savings and upgrading information!**



Everbloom-Garden.com

Questions or Comments?

Email us at service@everbloom-garden.com

Parts List

Deskside Planter Box - 45" L x 19" W x 14" H

Left Corner
Post
X 2

Top



Bottom

Right Corner
Post
X 2

Top



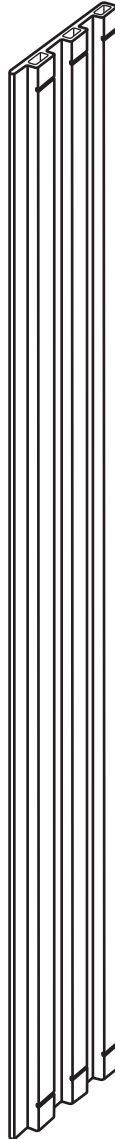
Bottom

Long
Board
X 2



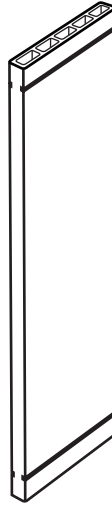
1140mm

Long Support
Board
X 2



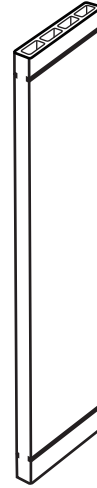
1140mm

Short
Board A
X 2



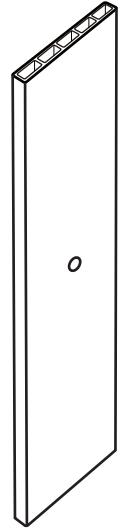
420mm

Short
Board B
X 2



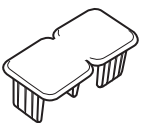
420mm

Bottom
Board
X 6



460mm

Post Cap
X 4



+ 2pc
replacement

Assembly

Deskside Planter Box - 45" L x 19" W x 14" H

Five depths are available by changing the sequence of the boards and position of the bottom boards, as shown in below images. You can choose according to different needs first.

* For depth of 2.5", 5", 7.25", 9.75" as shown in Image 1 and 2, please refer to steps from page 4.

* For depth of 4.75" as shown in Image 2, please refer to steps from page 10.

IMAGE 1

Depth 2.5", 5"

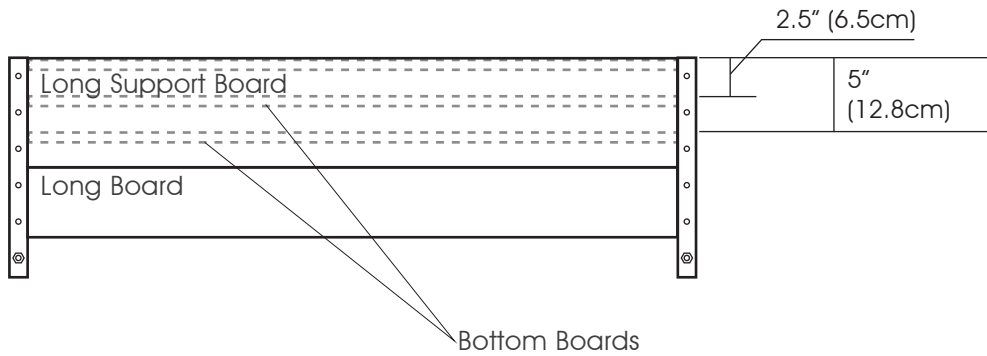
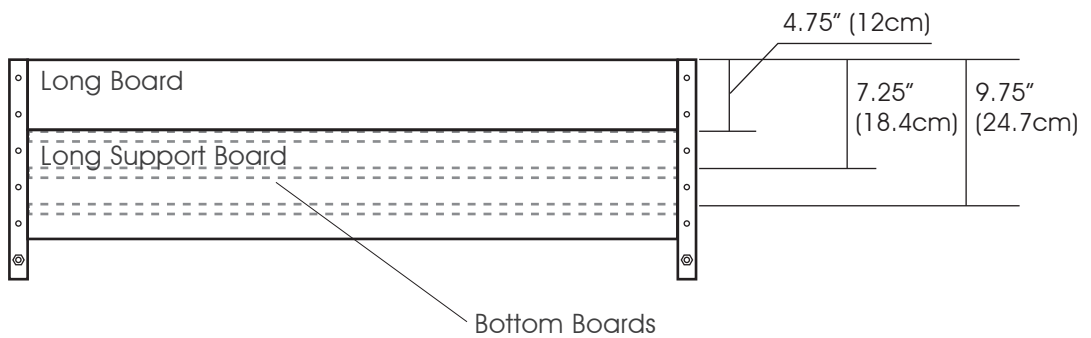


IMAGE 2

Depth 4.75", 7.25", 9.75"



Assembly

Deskside Planter Box - 45" L x 19" W x 14" H

Start by making sure each corner post is oriented correctly, as shown in Image 3. Slide one short board A into the corner brackets from above.

Note: The short boards need to be placed in the inward "U" shape of the brackets, as shown in Image 4.

IMAGE 3

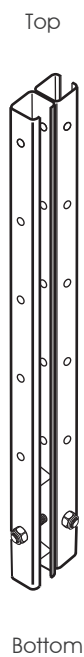
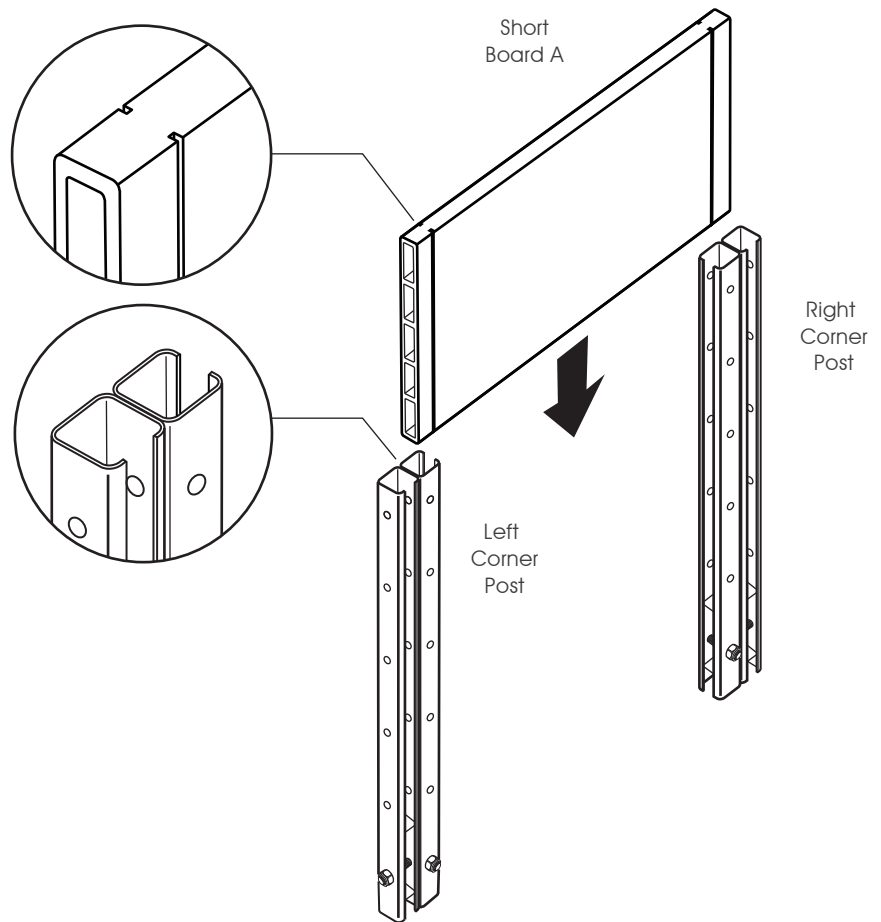


IMAGE 4

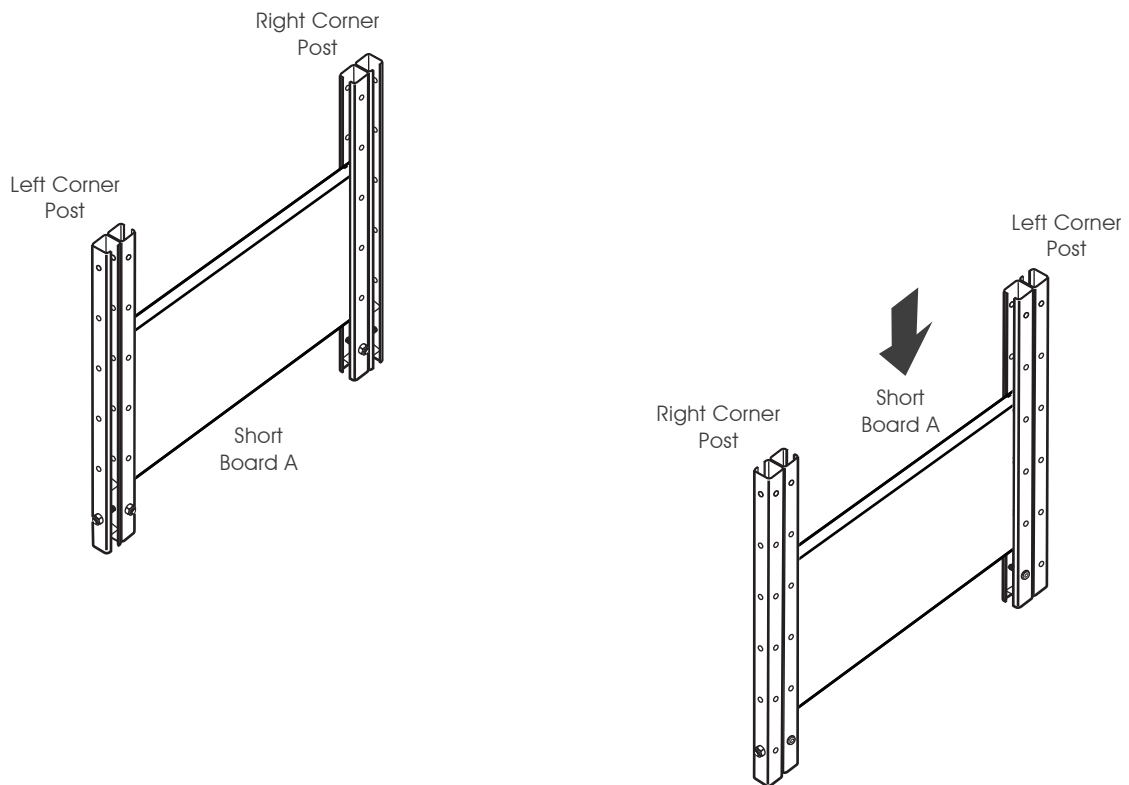


Assembly

Deskside Planter Box - 45" L x 19" W x 14" H

Slide another short board A into the other two corner brackets from above, as shown in Image 5.

IMAGE 5

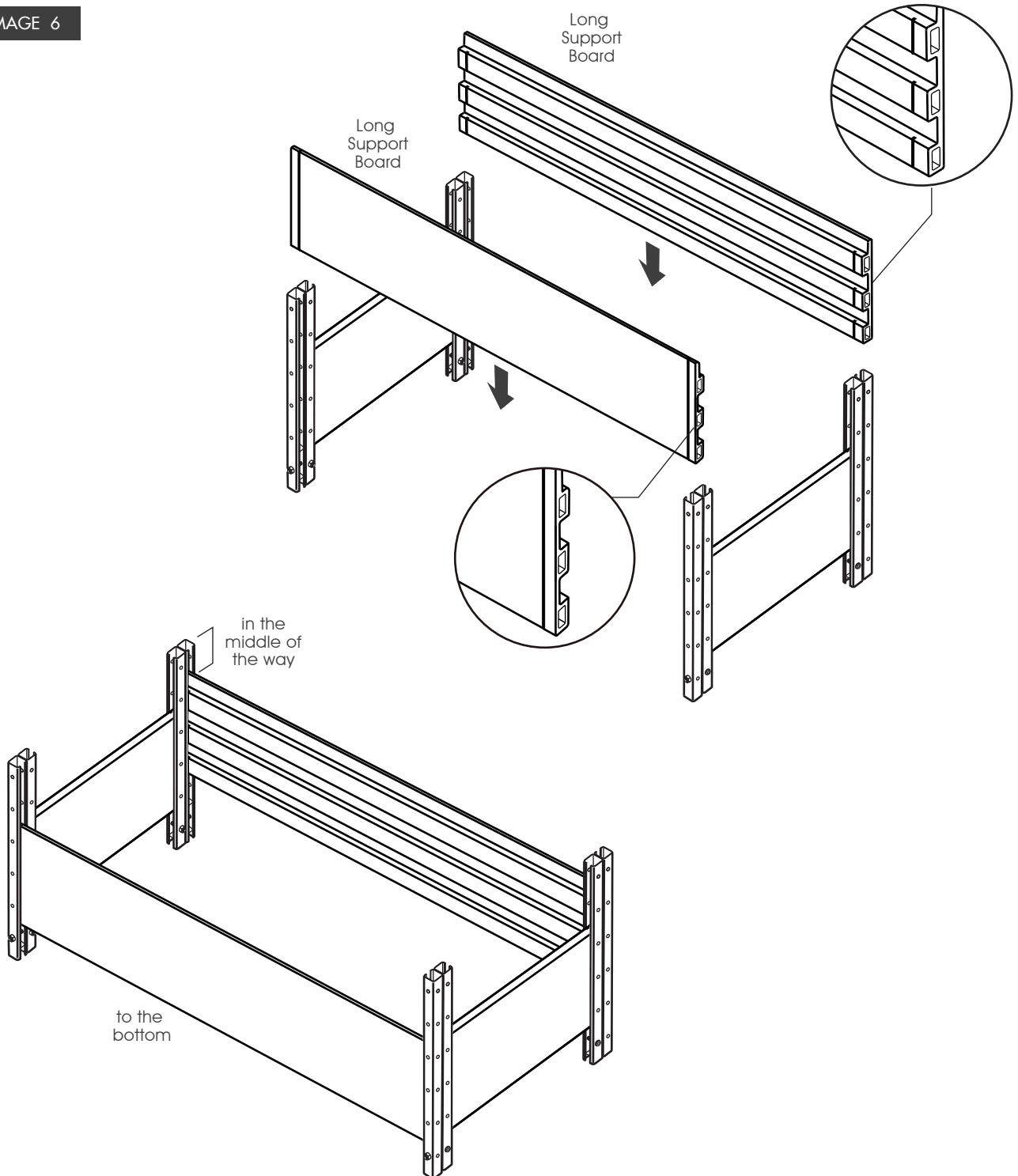


Assembly

Deskside Planter Box - 45" L x 19" W x 14" H

With the help of another person holding the 2 assembled parts, slide the 2 long supporting boards into the brackets from above. Make sure that one support board goes straight to the bottom, while the other one stays in the middle of the way (don't push to the bottom), with the top edge between the 1st and 2nd holes of the post.

IMAGE 6

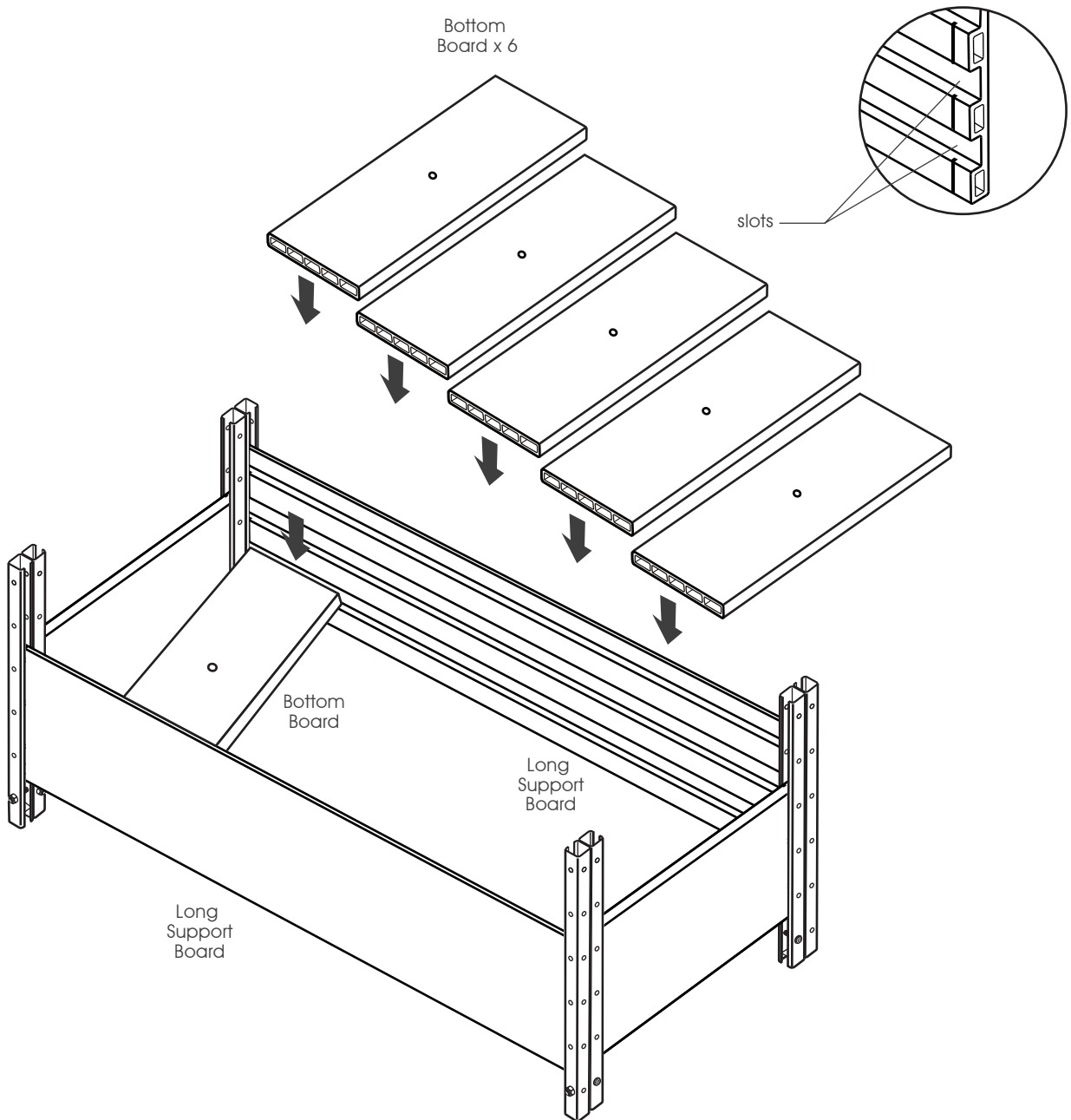


Assembly

Deskside Planter Box - 45" L x 19" W x 14" H

Put the bottom boards on lower slots of long support boards. Make sure the 2 ends of these bottom boards go into the lower slots and rest in them with enough contact as shown in Image 7. Adjust the height of the higher long support board slightly to hold these bottom boards if necessary.

IMAGE 7

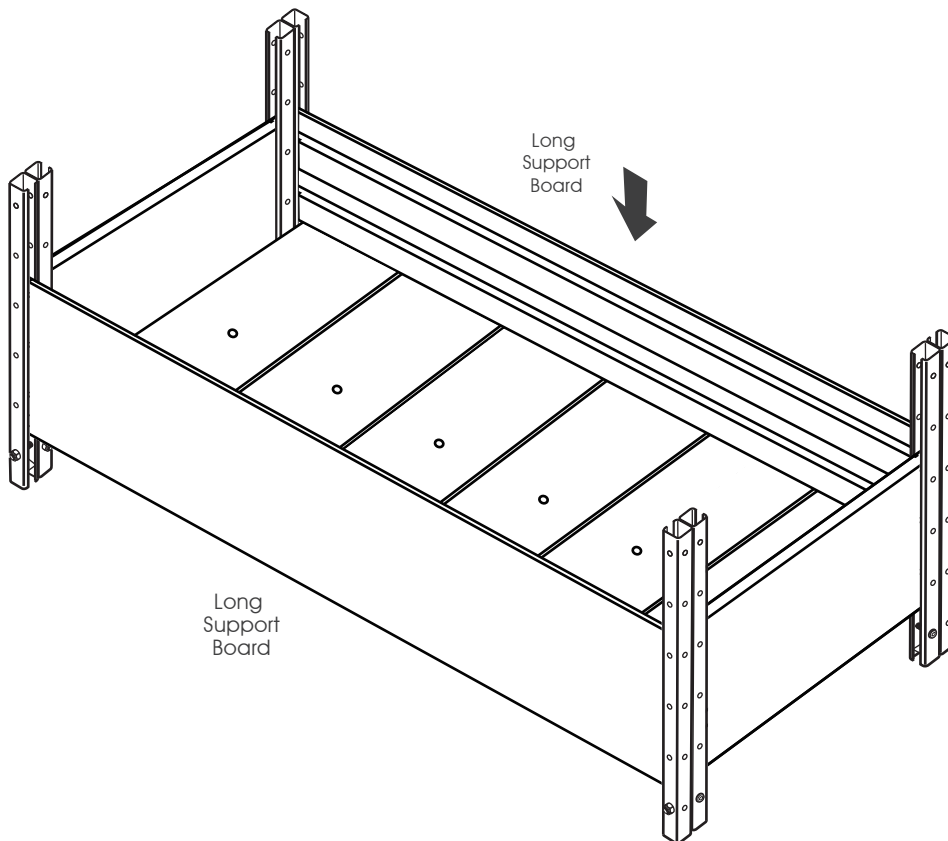


Assembly

Deskside - 45" L x 19" W x 14" H

Push down the higher long support board to the bottom, as shown in Image 8.

IMAGE 8



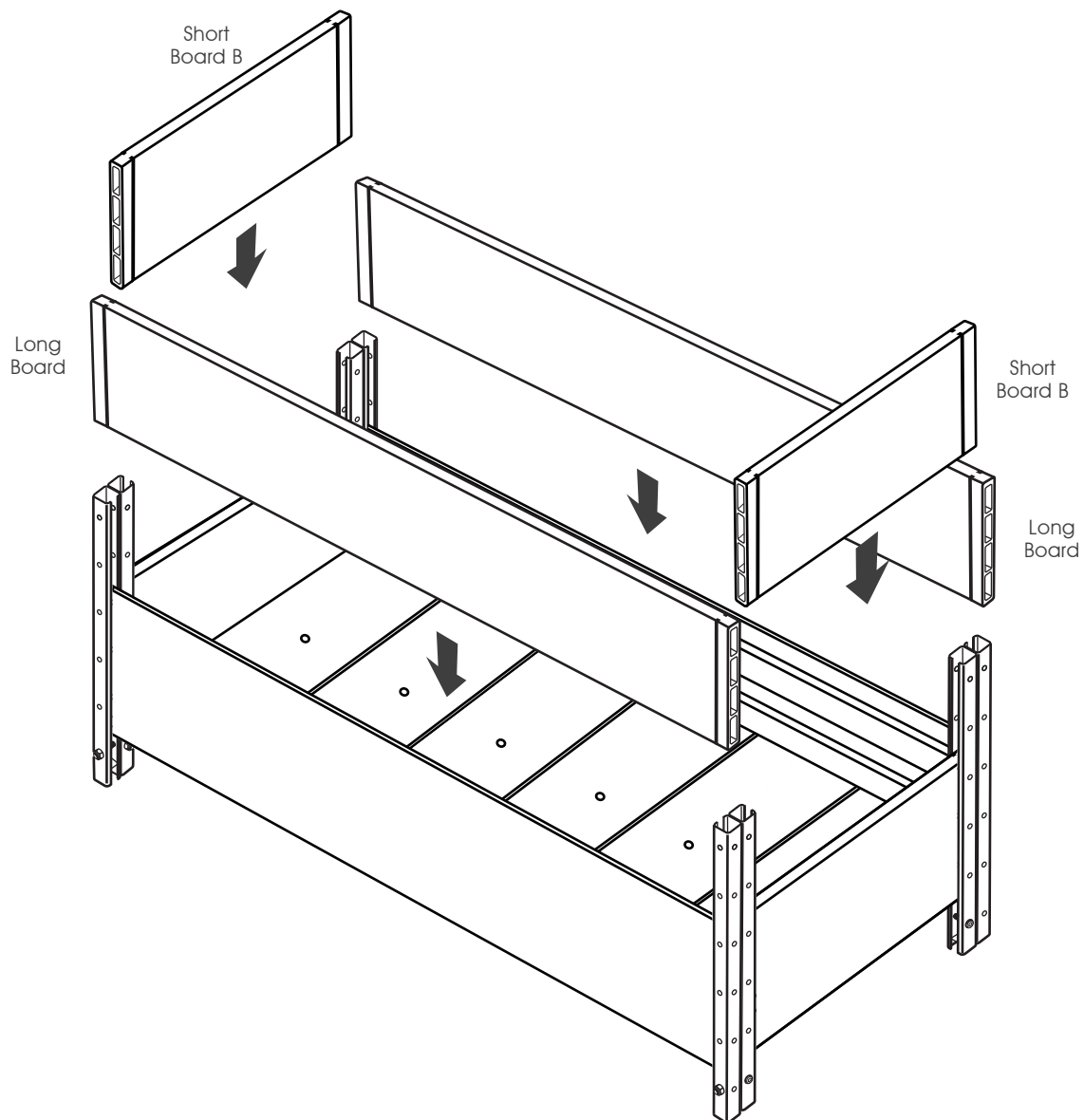
Assembly

Deskside Planter Box - 45" L x 19" W x 14" H

Slide the remaining boards into place, as shown in Image 9. Now you get an deskside planter box with 9.75" planting depth. Then, go to page 15, and follow the steps afterwards.

Note: If you want to add trellis kit onto this bed, please assemble the extension connectors **before** this step, to avoid disassembling the boards later.

IMAGE 9



Assembly

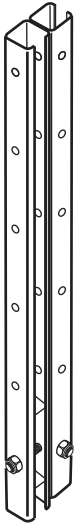
Deskside Planter Box - 45" L x 19" W x 14" H

Start by making sure each corner post is oriented correctly, as shown in Image 3a. Slide one short board A into the corner brackets from above.

Note: The short boards need to be placed in the inward "U" shape of the brackets, as shown in Image 4a.

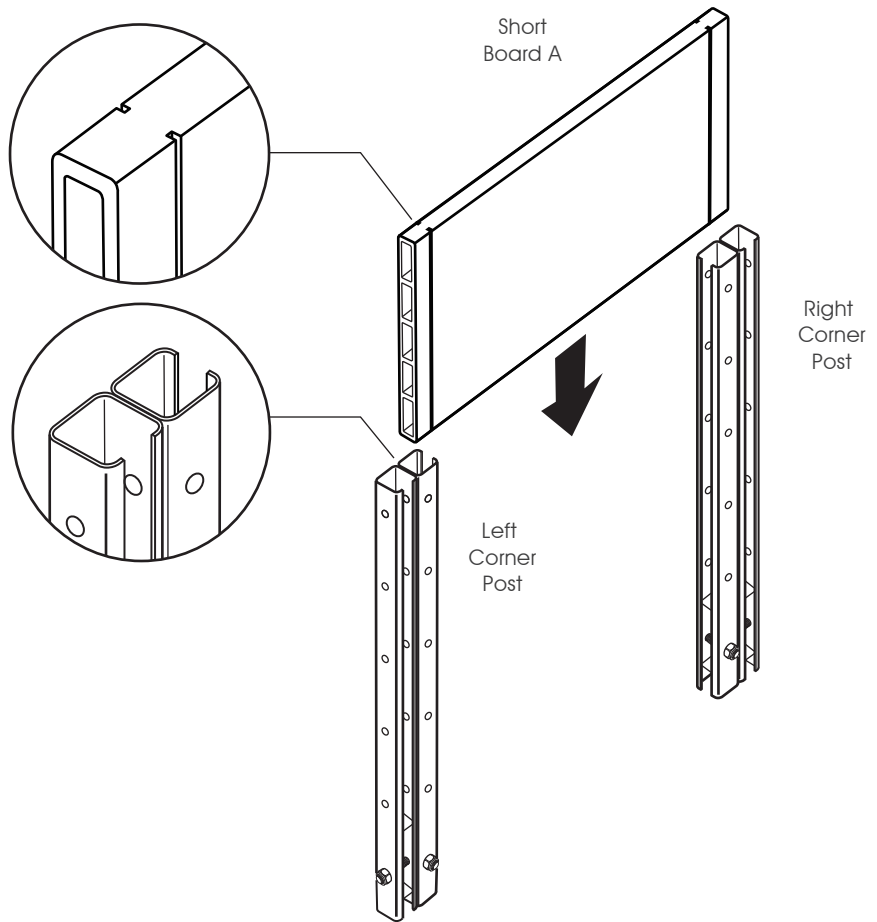
IMAGE 3a

Top



Bottom

IMAGE 4a

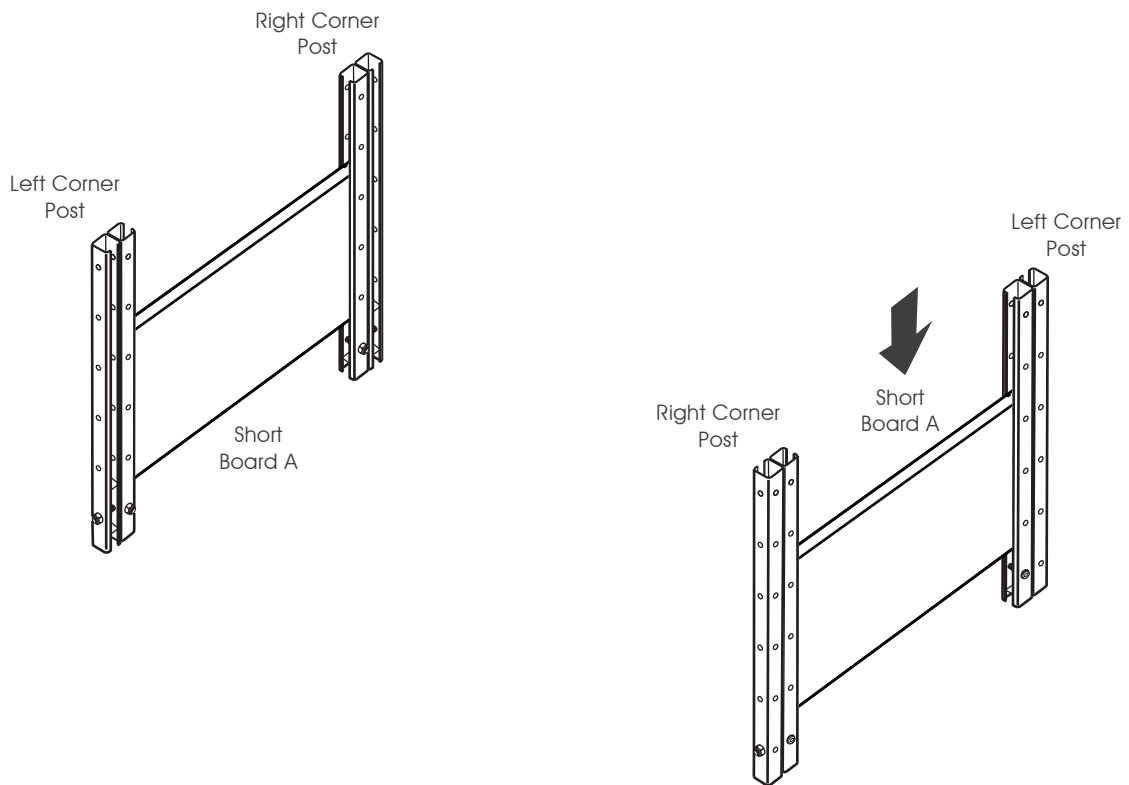


Assembly

Deskside Planter Box - 45" L x 19" W x 14" H

Slide another short board A into the other two corner brackets from above, as shown in Image 5a.

IMAGE 5a

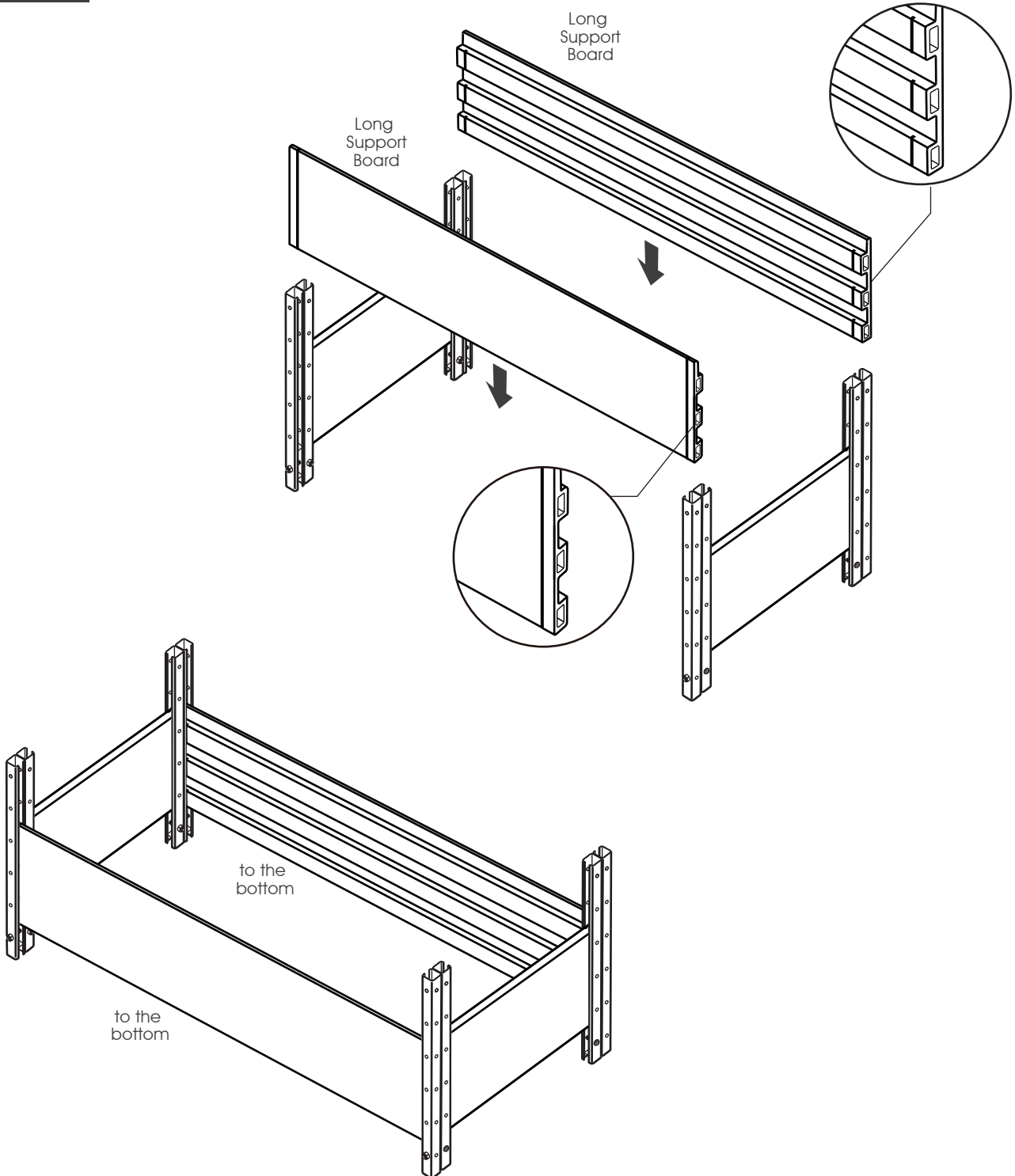


Assembly

Deskside Planter Box - 45" L x 19" W x 14" H

With the help of another person holding the 2 assembled parts, slide the 2 long support boards into the brackets from above, as shown in Image 6a.

IMAGE 6a

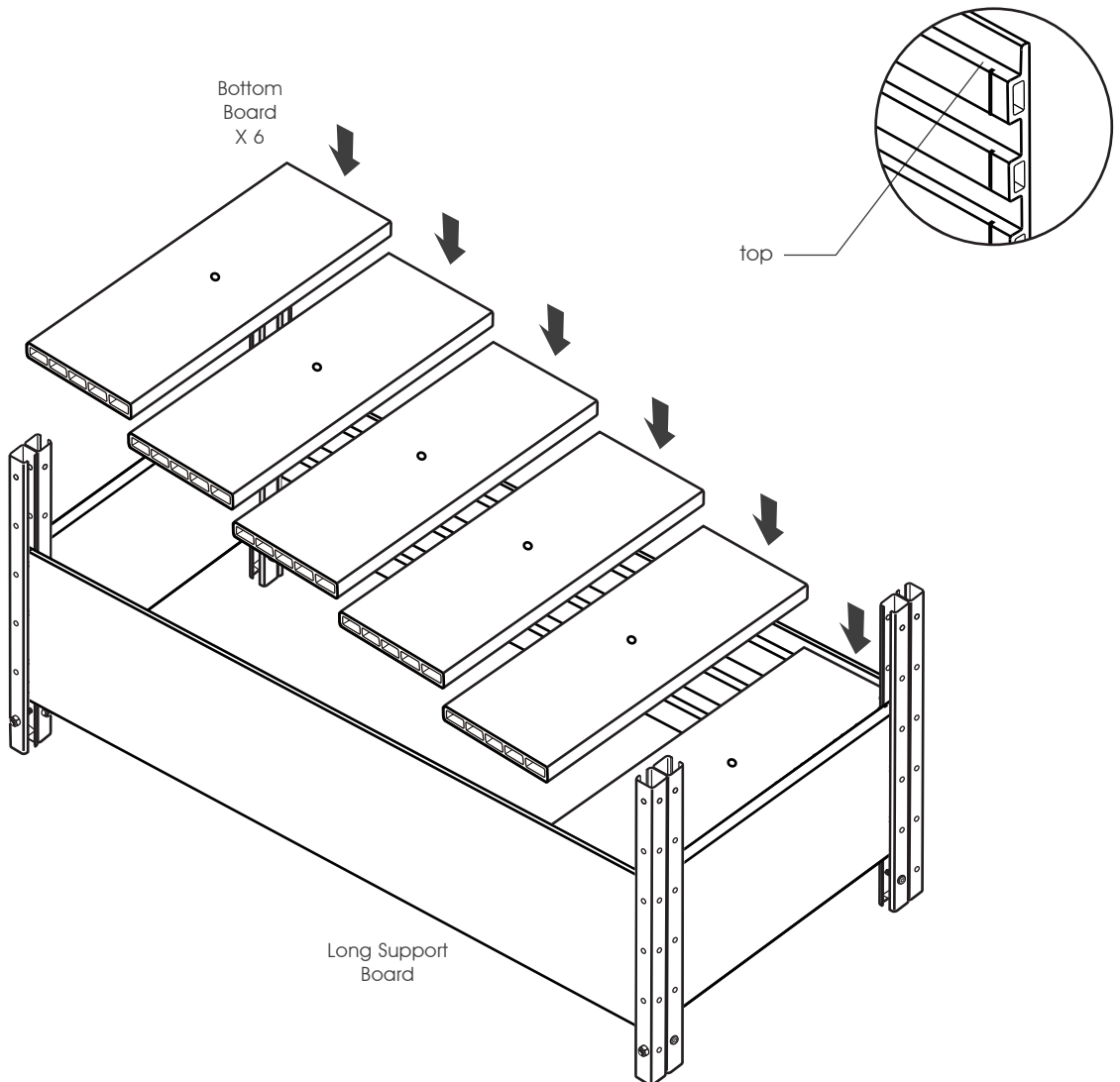


Assembly

Deskside Planter Box - 45" L x 19" W x 14" H

Put the bottom boards on the top of long support boards, as shown in Image 7a.

IMAGE 7a



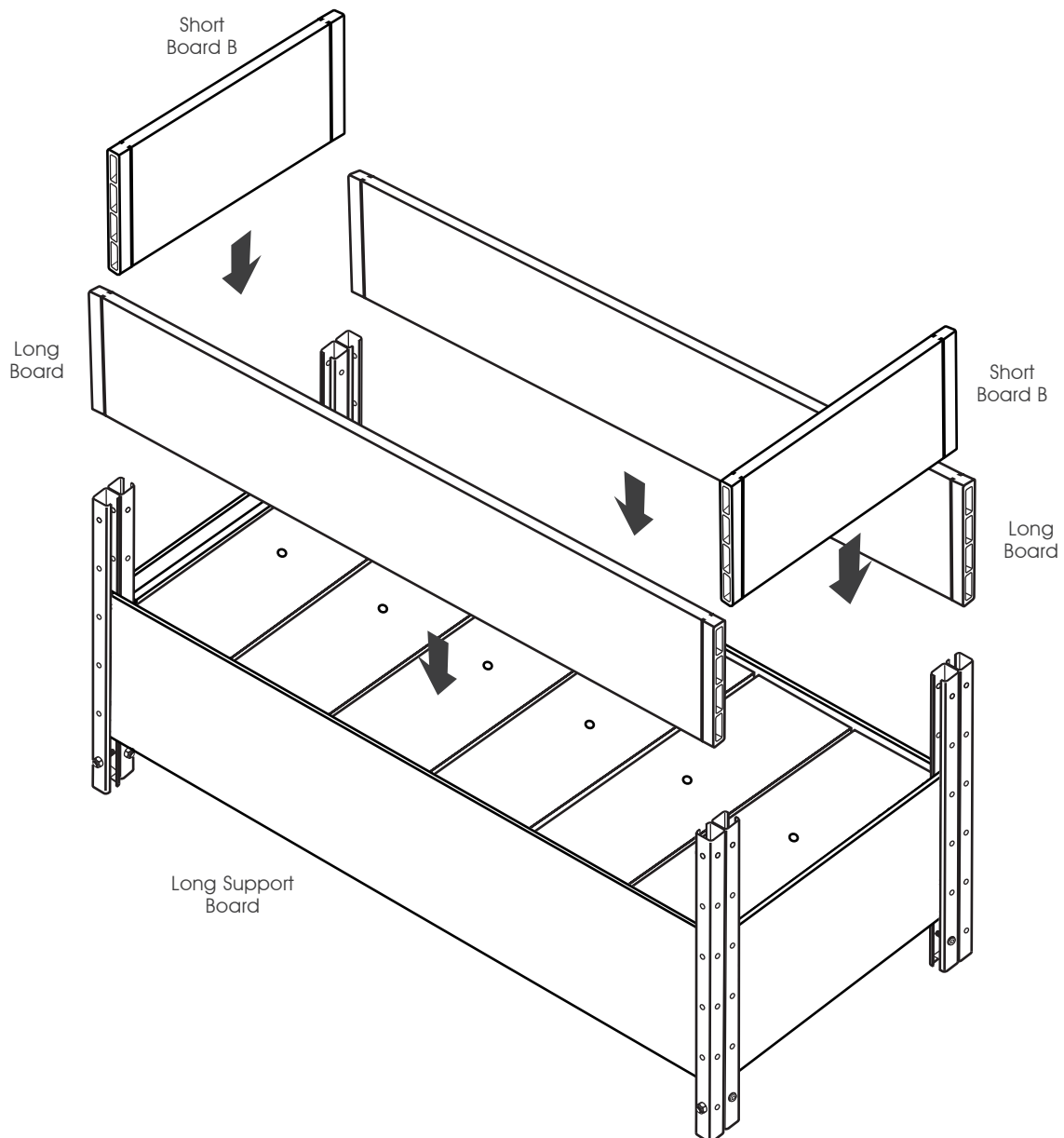
Assembly

Deskside Planter Box - 45" L x 19" W x 14" H

Slide the remaining boards into place, as shown in Image 8a. Now you get an deskside planter box with 4.75" planting depth.

Note: If you want to add trellis kit onto this bed, please assemble the extension connectors **before** this step, to avoid disassembling the boards later.

IMAGE 8a

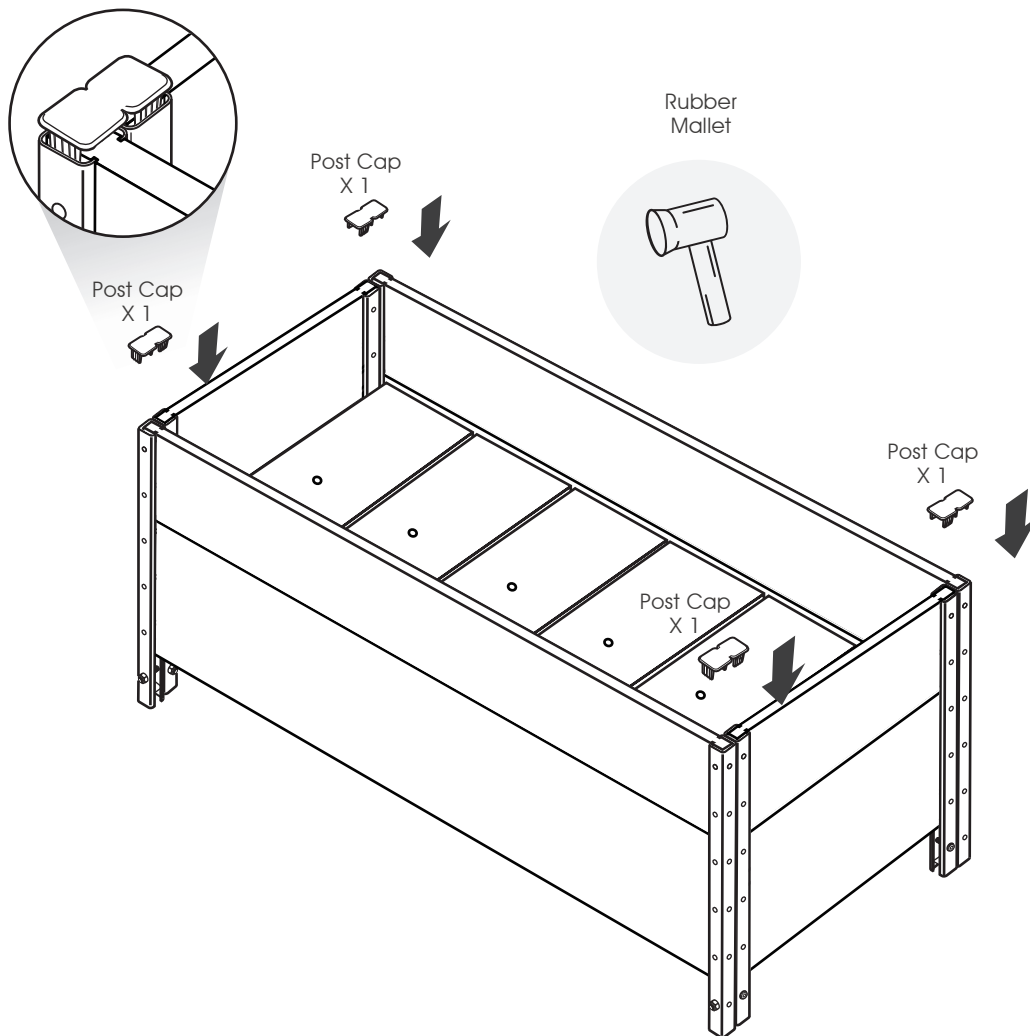


Assembly

Deskside Planter Box - 45" L x 19" W x 14" H

If necessary, use your rubber mallet to ensure the boards are tightly in place. Cover the brackets with the 4 end caps, as shown in Image 10.

IMAGE 10

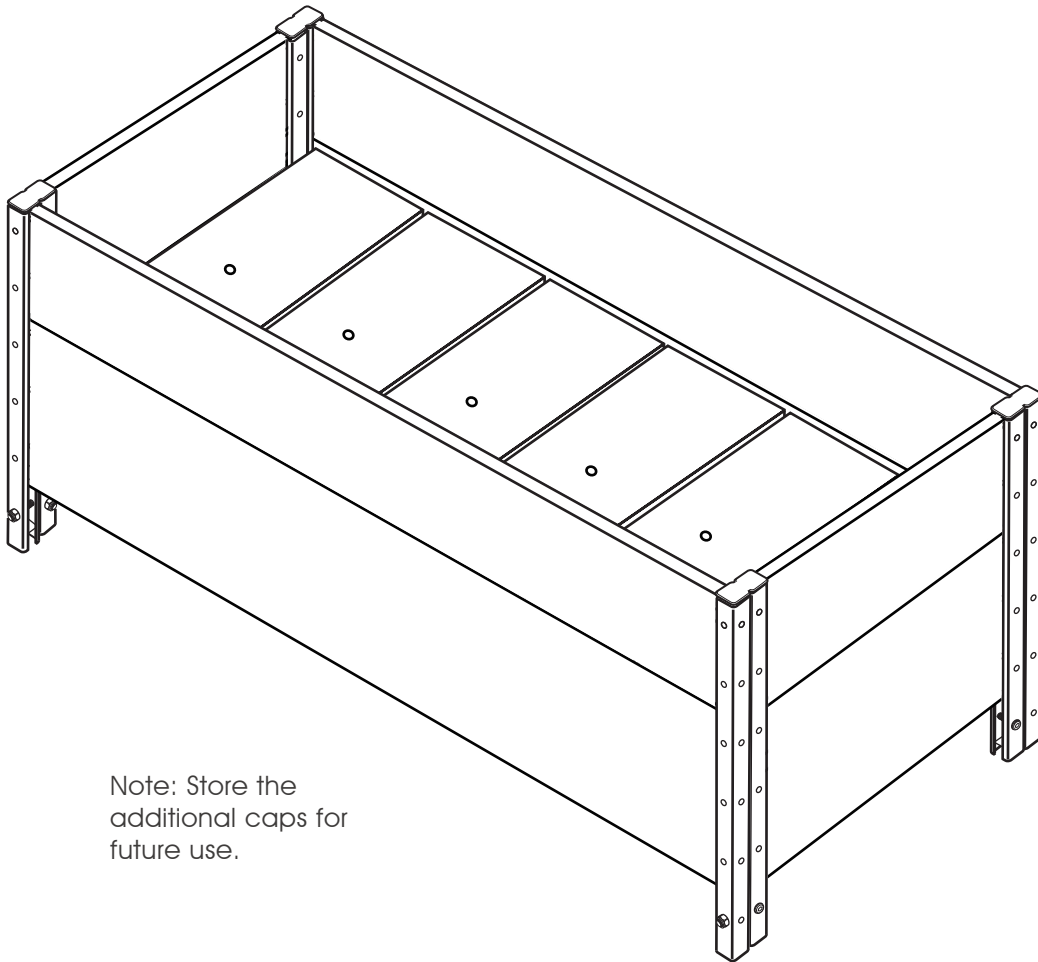


Assembly

Deskside Planter Box - 45" L x 19" W x 14" H

Then you get an Everbloom Deskside Planter Box, as shown in Image 11.

IMAGE 11



Note: Store the additional caps for future use.

Note

Deskside Planter Box - 45" L x 19" W x 14" H

Sometimes there might be a misalignment of the Corner Posts as shown in Image 12 and Image 13, which may result in difficulty of sliding boards into the brackets. Please adjust them to the right position so that they are parallel to each other, and perpendicular to the ground.

IMAGE 12

Assembling Problem 1

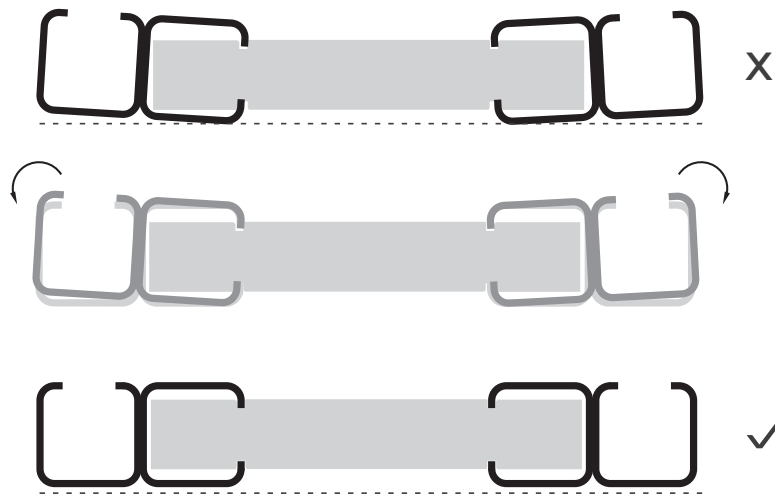
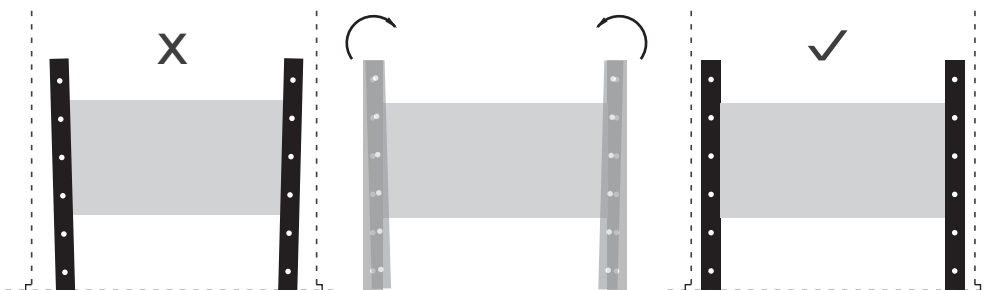


IMAGE 13

Assembling Problem 2



Bloom On.

Everbloom-Garden.com

US Patent Pending

★ Subscribe at www.everbloom-garden.com for
extra savings and upgrading information!



Distributed by:
Dynaforge Trading LLC
St. Paul, MN55101
Email: service@everbloom-garden.com