



---

## Trough Planter Box

### Installation Guide

---

### Thank You!

You're only a few steps away from your perfect vegetable garden or elevated planter. We hope you enjoy!

Model# E143612 / E143612G  
Dimensions 36" L x 12" W x 14" H

### Before You Start

Please read the instructions carefully to familiarize yourself with every detail and step involved. Keep this manual for future reference. Find a suitable space to assemble your new Trough Planter Box.

You need at least 37" x 13" (94 x 33cm) for the finished product. A flat and firm area (like a garage floor or flat yard space) is perfect! The only tool you may need is a rubber mallet.

### Important Notes

Small parts are included; we advise you to keep them away from children and pets.

We also suggest having another person help you assemble. Maximum Load Capacity: approximately 3 cu. ft. of soil

★ [Subscribe at www.everbloom-garden.com](http://www.everbloom-garden.com) for extra savings and upgrading information!



**Everbloom-Garden.com**

Questions or Comments?

Email us at [service@everbloom-garden.com](mailto:service@everbloom-garden.com)

# Parts List

Trough Planter Box - 36" L x 12" W x 14" H

Left Corner  
Post  
X 2

Top



Bottom

Right Corner  
Post  
X 2

Top



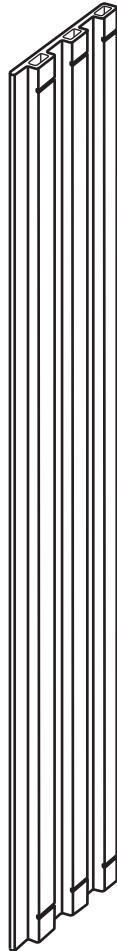
Bottom

Long  
Board  
X 2



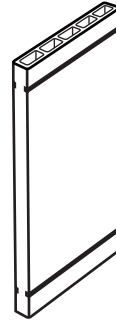
900mm

Long Support  
Board  
X 2



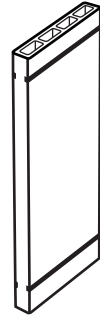
900mm

Short  
Board A  
X 2



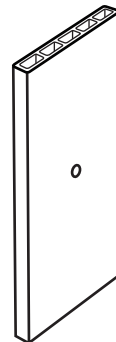
240mm

Short  
Board B  
X 2



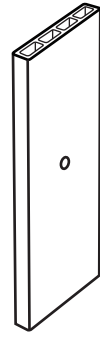
240mm

Bottom  
Board A  
X 2



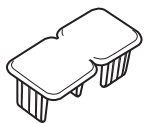
280mm

Bottom  
Board B  
X 4



280mm

Post Cap  
X 4



+ 2pc  
replacement

# Assembly

Trough Planter Box - 36" L x 12" W x 14" H

Five depths are available by changing the sequence of the boards and position of the bottom boards, as shown in below images. You can choose according to different needs first.

\* For depth of 2.5", 5", 7.25", 9.75" as shown in Image 1 and 2, please refer to steps from page 4.

\* For depth of 4.75" as shown in Image 2, please refer to steps from page 10.

IMAGE 1

Depth 2.5", 5"

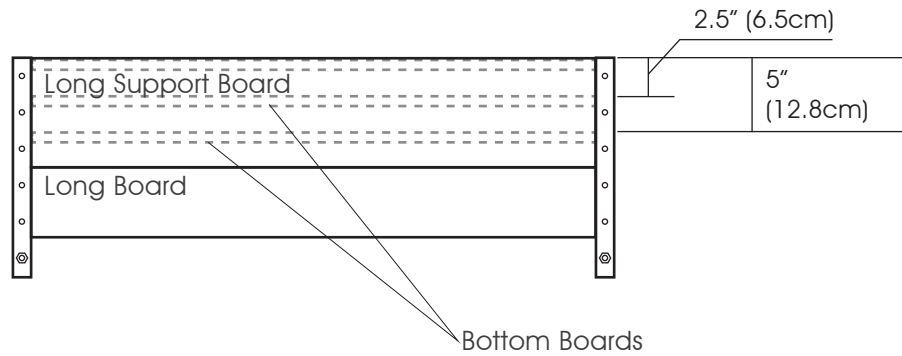
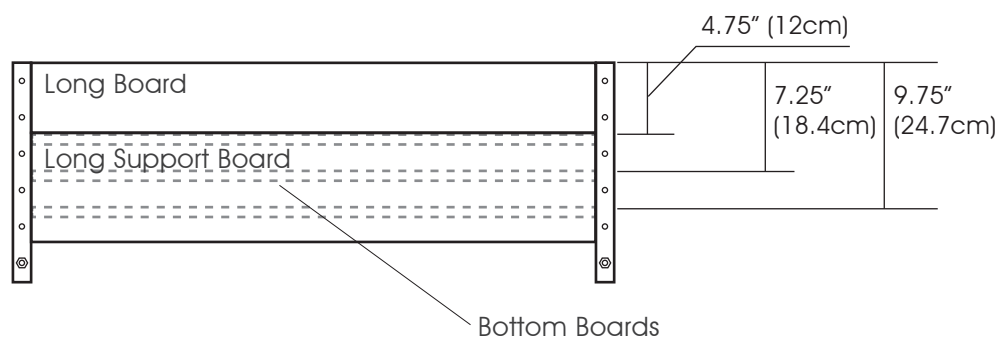


IMAGE 2

Depth 4.75", 7.25", 9.75"



# Assembly

Trough Planter Box - 36" L x 12" W x 14" H

*For the planting depth of 9.75", please follow steps below.*

*For depth of 2.5", 5" or 7.25", the assembly methods are similar, just pay attention to the sequence of the boards and position of the bottom boards, please refer to page 3.*

Start by making sure each corner post is oriented correctly, as shown in Image 3. Slide one short board A into the corner brackets from above.

Note: The short boards need to be placed in the inward "U" shape of the brackets, as shown in Image 4.

IMAGE 3

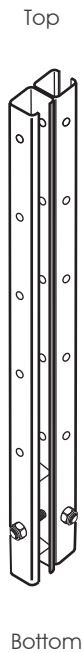
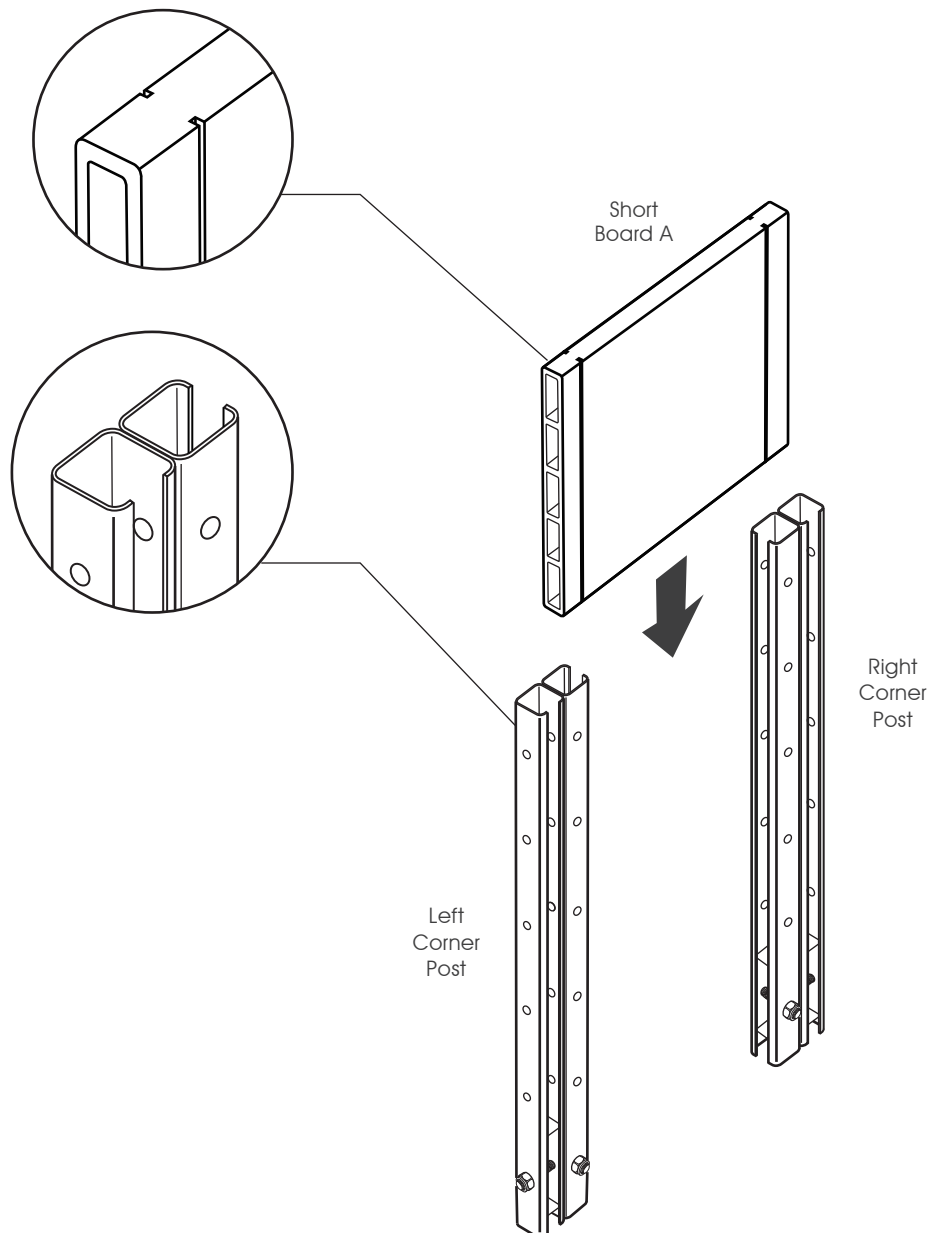


IMAGE 4



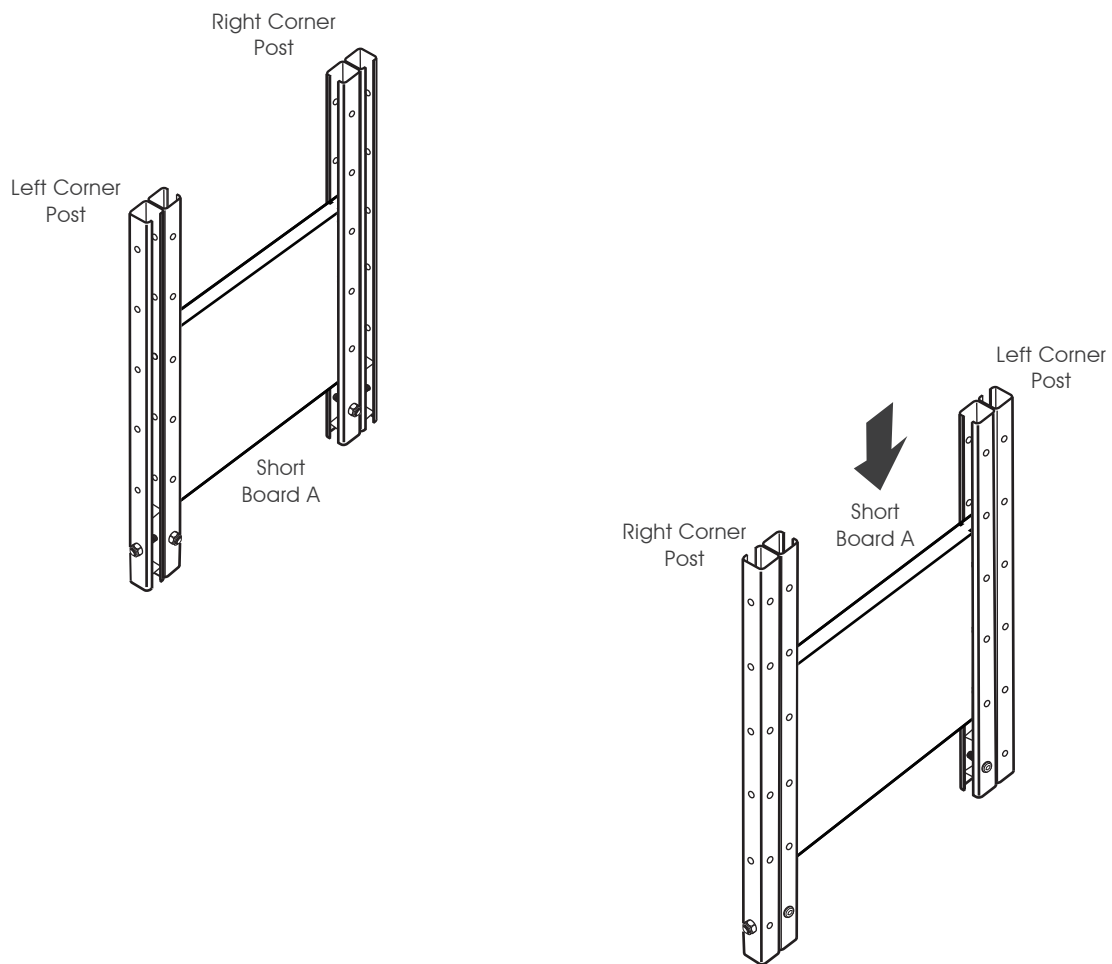
# Assembly

Trough Planter Box - 36" L x 12" W x 14" H

---

Slide another short board A into the other two corner brackets from above, as shown in Image 5.

IMAGE 5

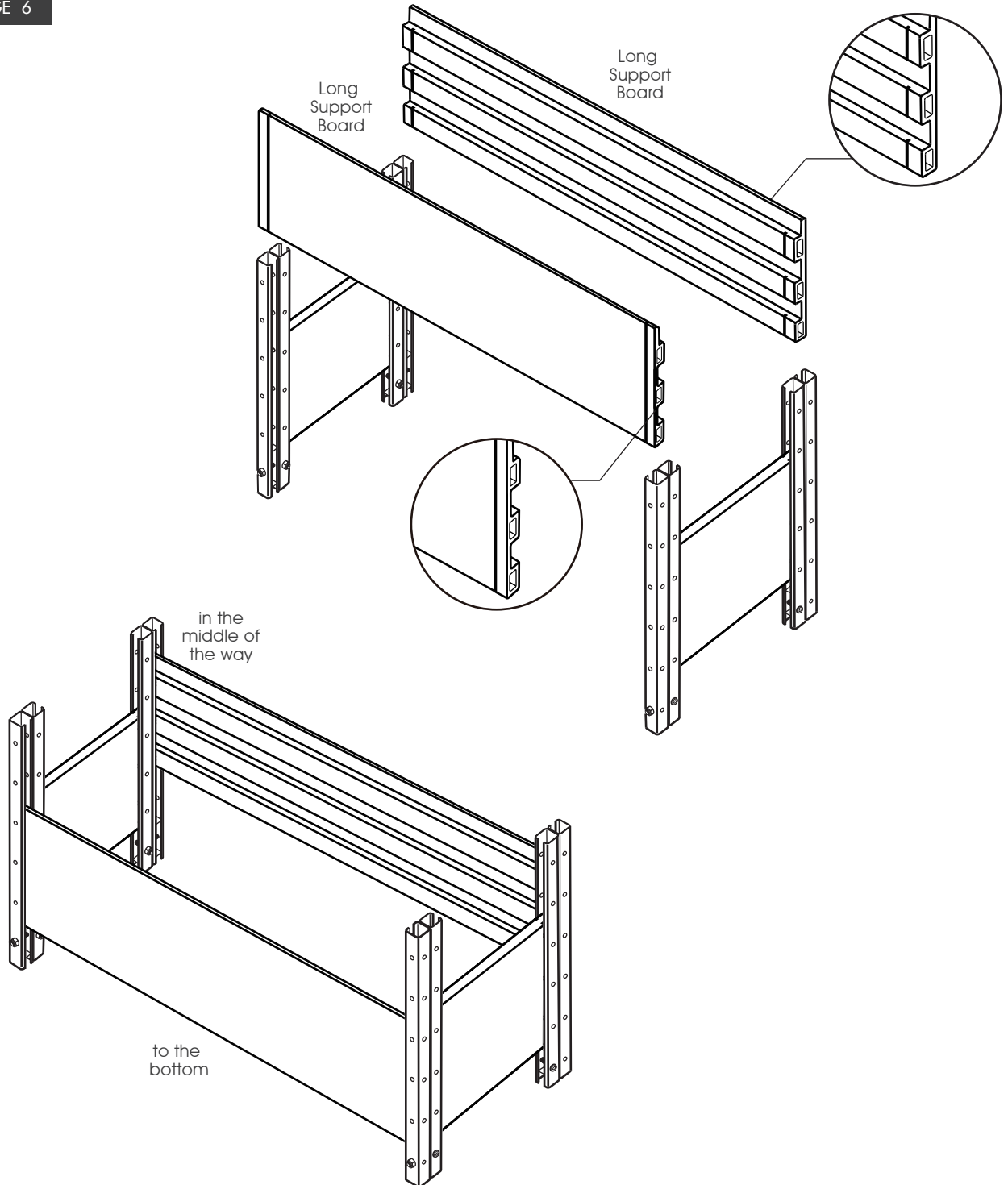


# Assembly

Trough Planter Box - 36" L x 12" W x 14" H

With the help of another person holding the 2 assembled parts, slide the 2 long supporting boards into the brackets from above. Make sure that one support board goes straight to the bottom, while the other one stays in the middle of the way (don't push to the bottom), with the top edge between the 1st and 2nd holes of the post.

IMAGE 6

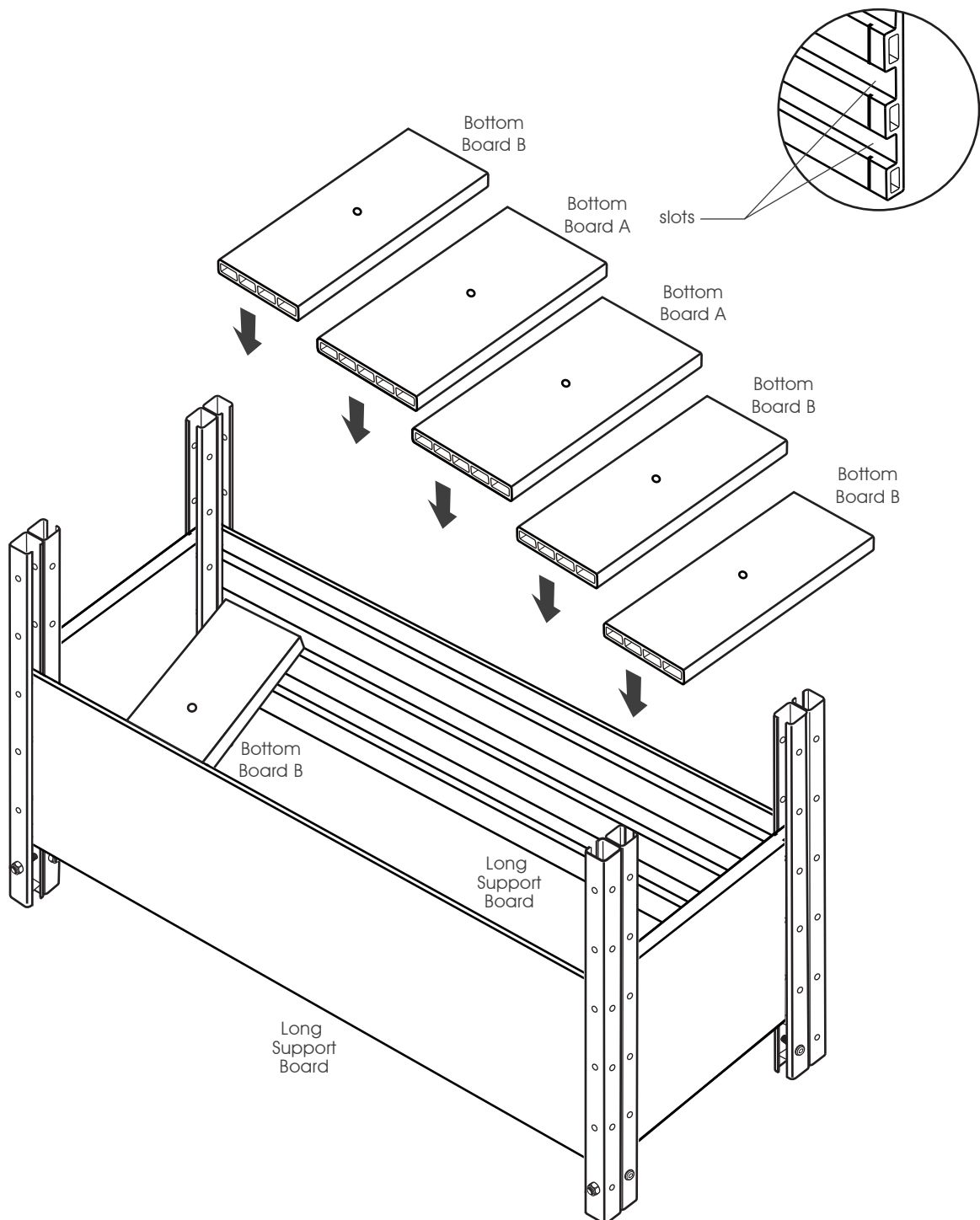


# Assembly

Trough Planter Box - 36" L x 12" W x 14" H

Put the bottom boards on lower slots of long support boards. Make sure the 2 ends of these bottom boards go into the lower slots and rest in them with enough contact as shown in Image 7. Adjust the height of the higher long support board slightly to hold these bottom boards if necessary.

IMAGE 7



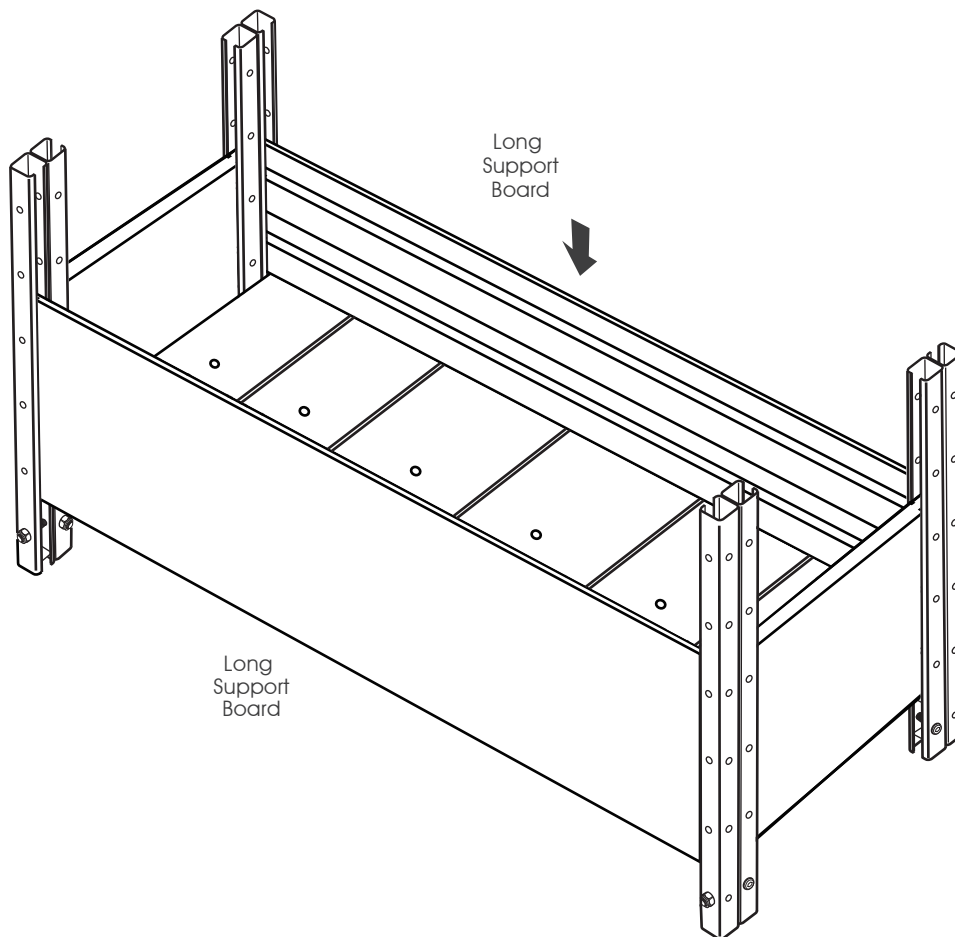
# Assembly

Trough Planter Box - 36" L x 12" W x 14" H

---

Push down the higher long support board to the bottom, as shown in Image 8.

IMAGE 8





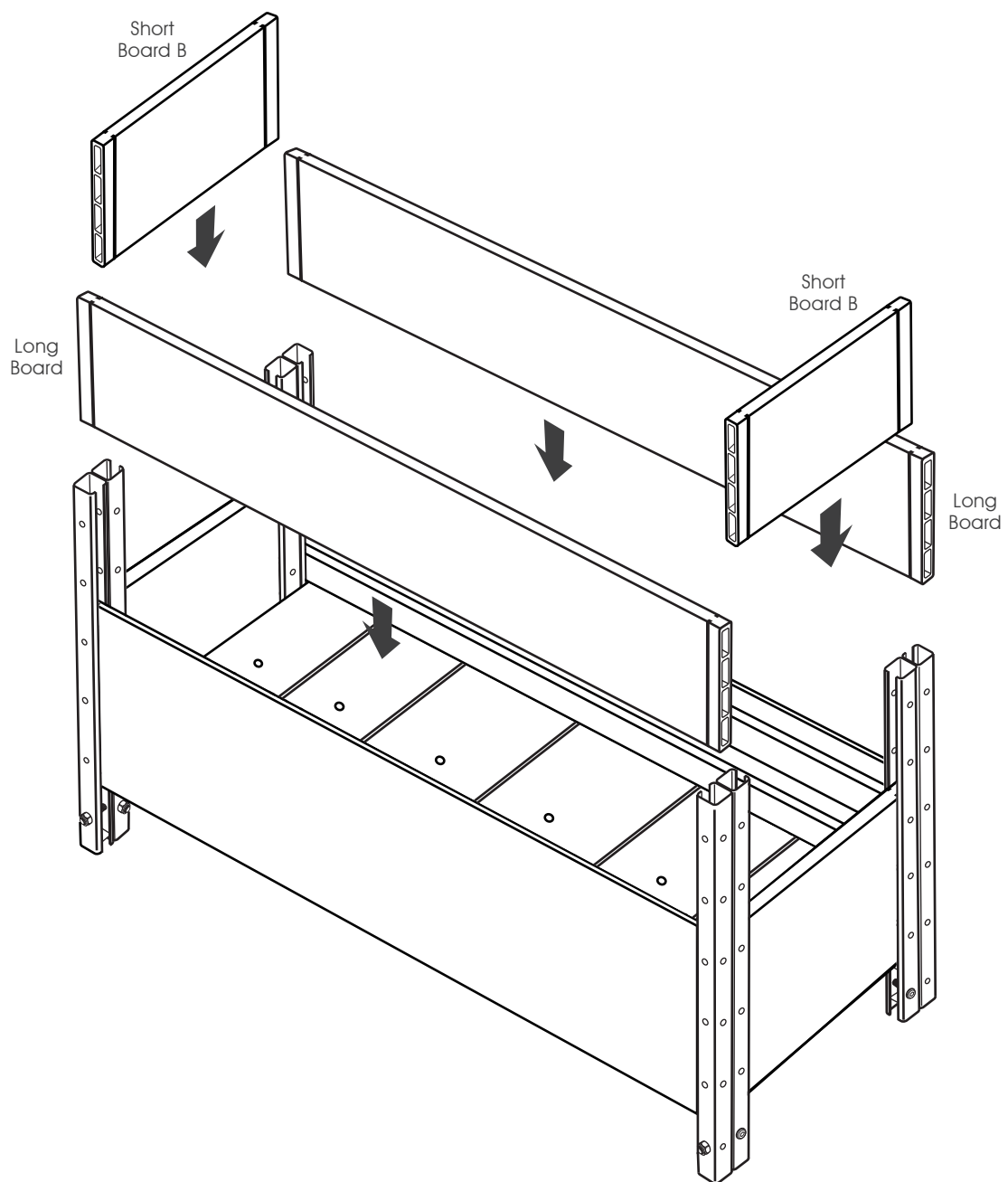
# Assembly

Trough Planter Box - 36" L x 12" W x 14" H

Slide the remaining boards into place, as shown in Image 9. Now you get a trough planter box with 9.75" planting depth. Then, go to page 15, and follow the steps afterwards.

Note: If you want to add trellis kit onto this bed, please assemble the extension connectors **before** this step, to avoid disassembling the boards later.

IMAGE 9



# Assembly

Trough Planter Box - 36" L x 12" W x 14" H

*For the planting depth of 4.75", please follow steps below.*

Start by making sure each corner post is oriented correctly, as shown in Image 3a. Slide one short board A into the corner brackets from above.

Note: The short boards need to be placed in the inward "U" shape of the brackets, as shown in Image 4a.

IMAGE 3a

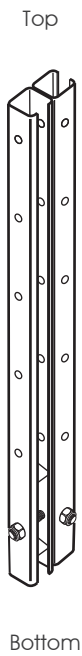
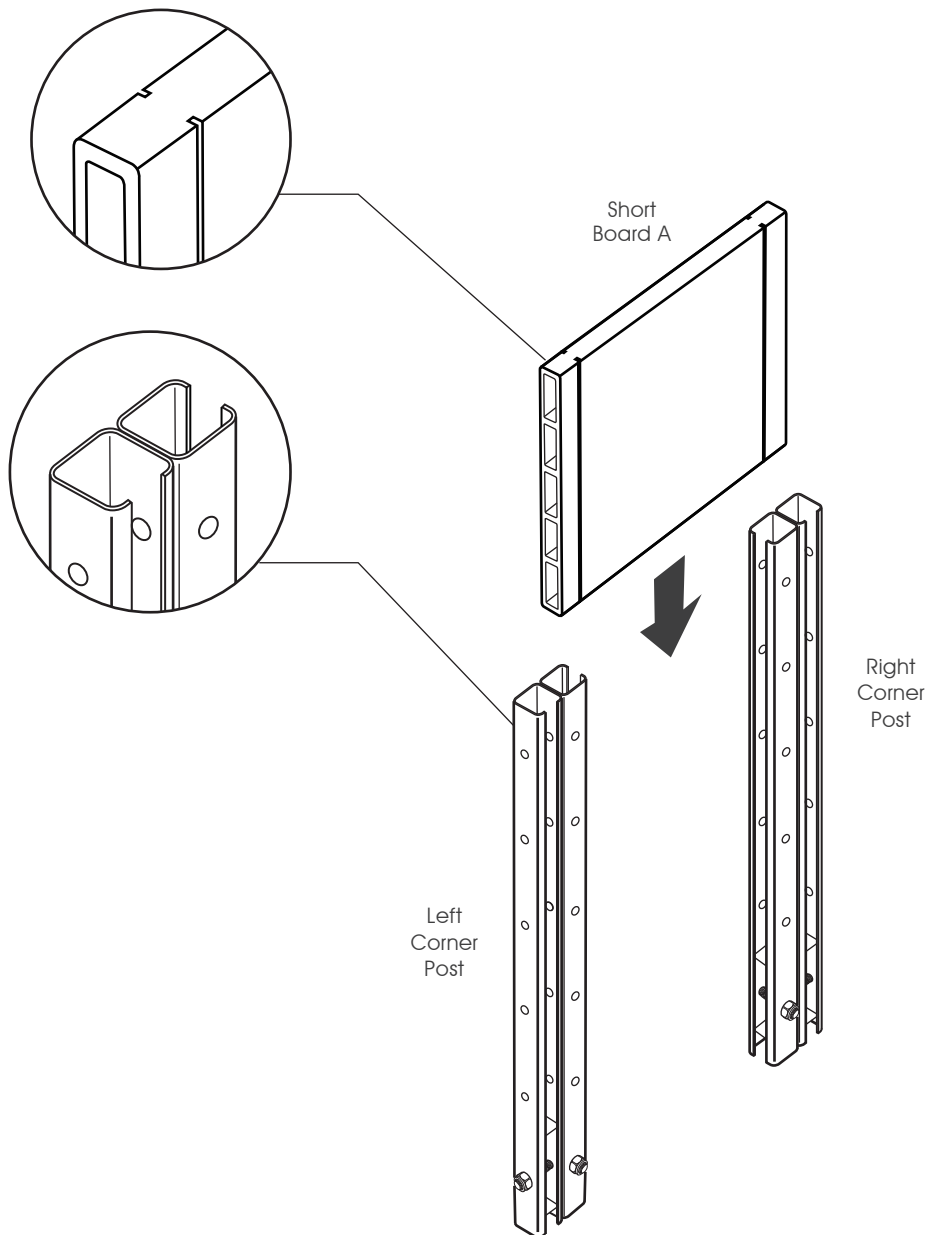


IMAGE 4a



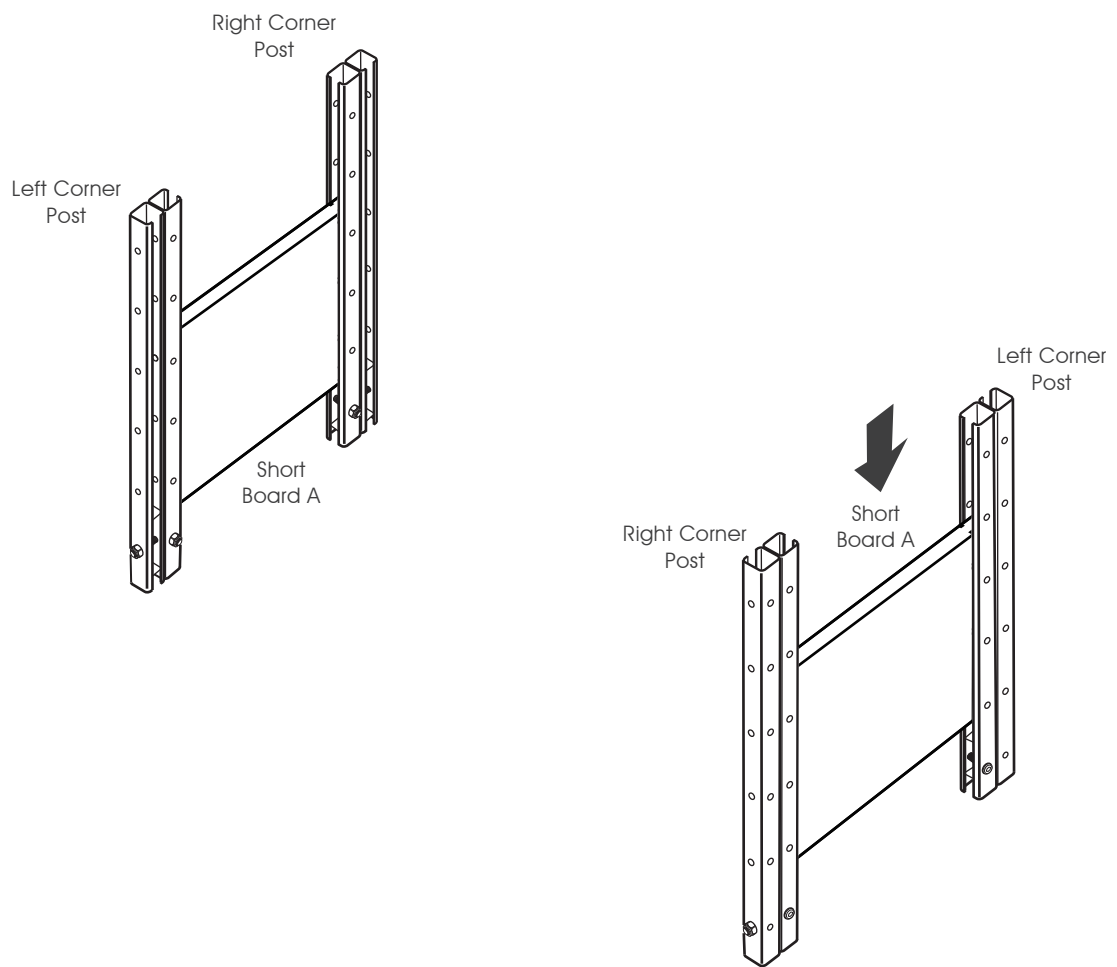
# Assembly

Trough Planter Box - 36" L x 12" W x 14" H

---

Slide another short board A into the other two corner brackets from above, as shown in Image 5a.

IMAGE 5a

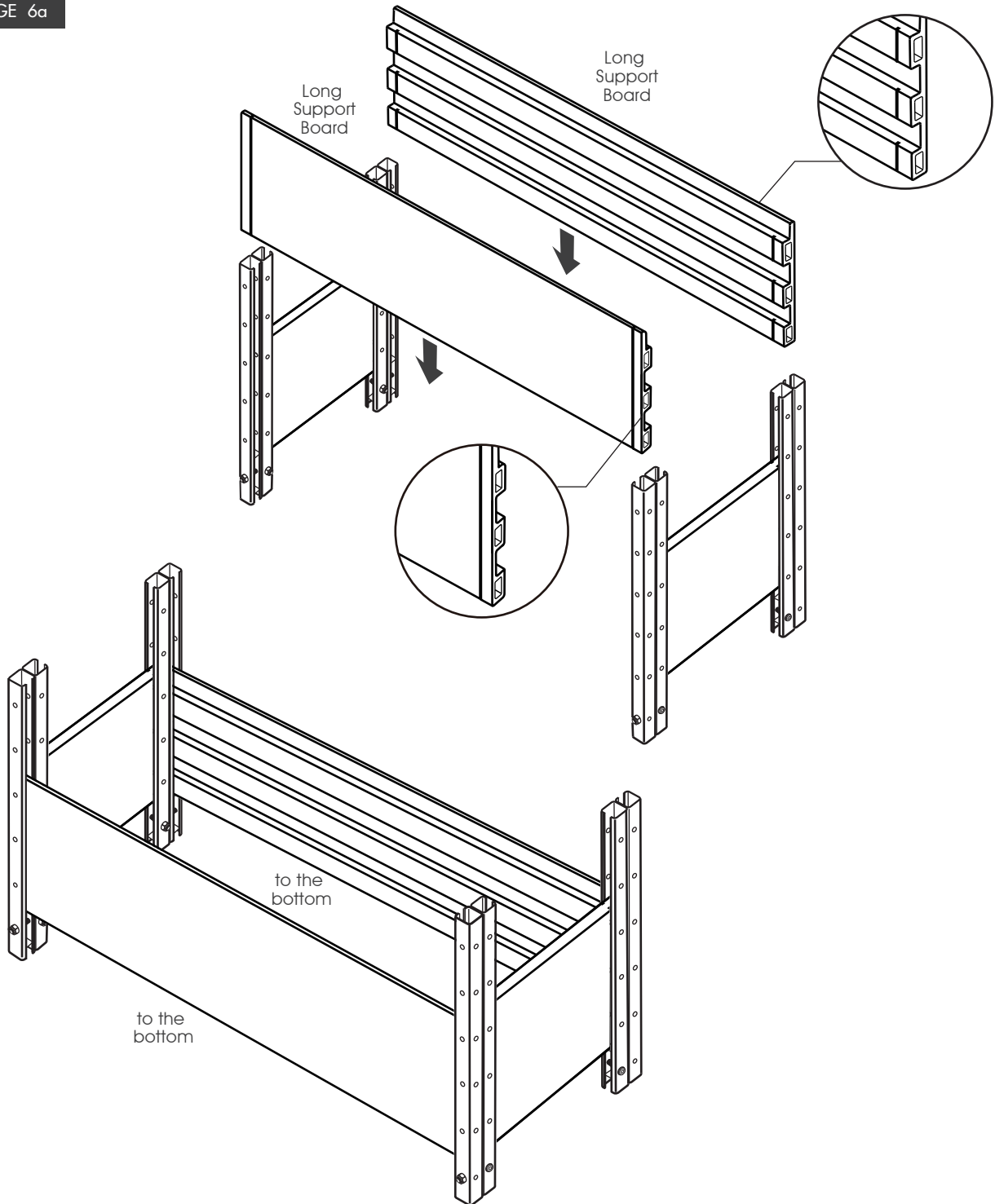


# Assembly

Trough Planter Box - 36" L x 12" W x 14" H

With the help of another person holding the 2 assembled parts, slide the 2 long support boards into the brackets from above, as shown in Image 6a.

IMAGE 6a

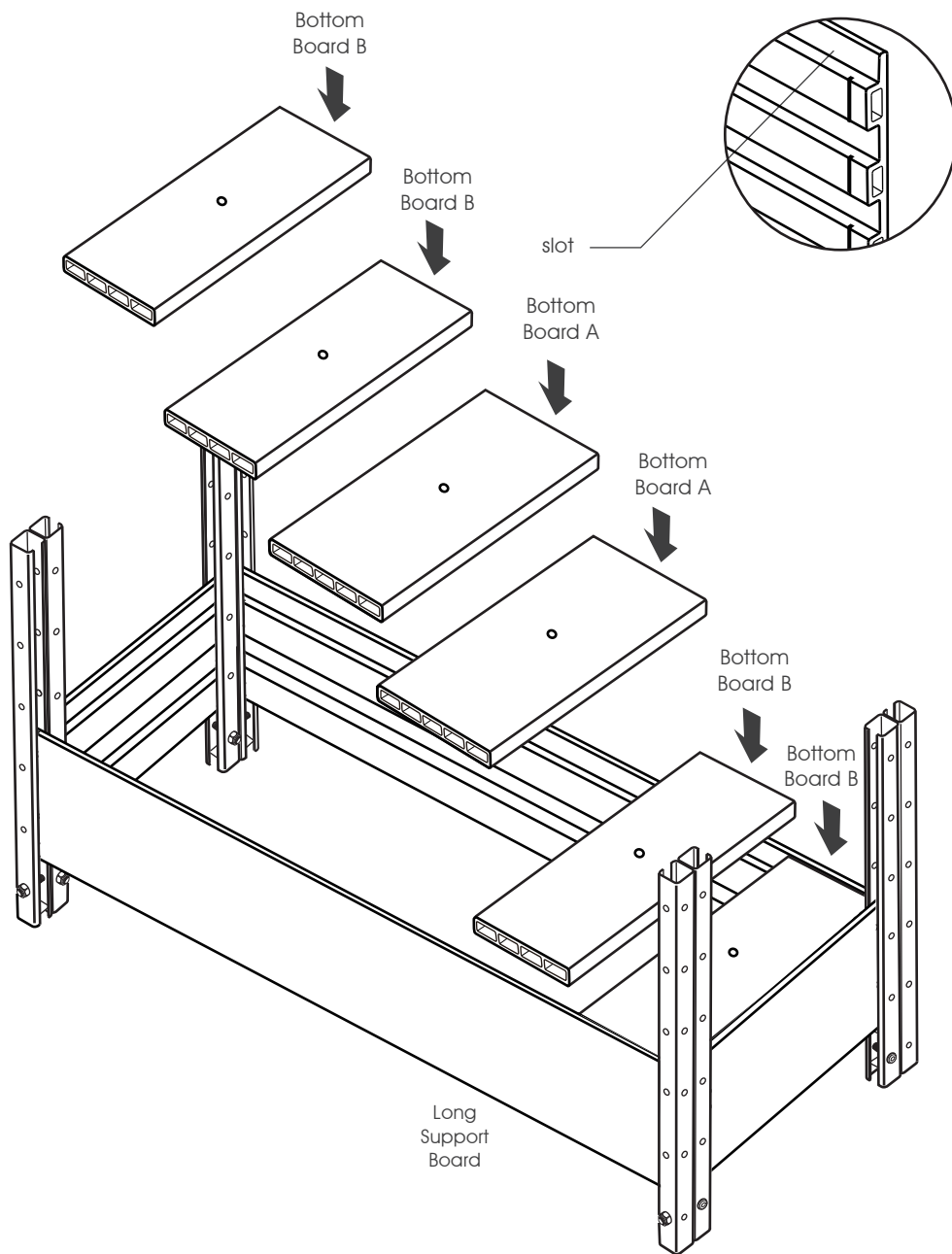


# Assembly

Trough Planter Box - 36" L x 12" W x 14" H

Put the bottom boards on the long support boards, as shown in Image 7a.

IMAGE 7a



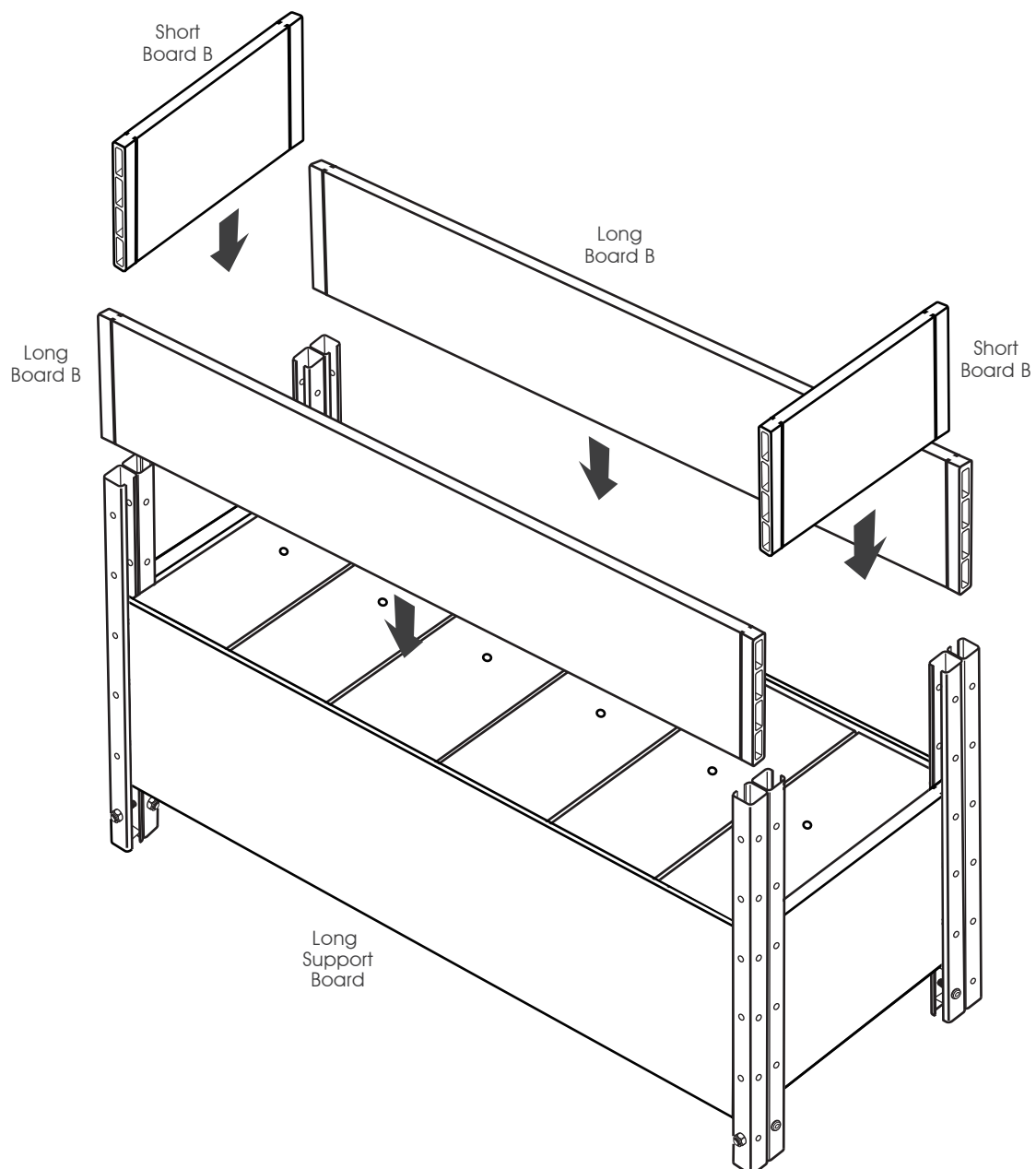
# Assembly

Trough Planter Box - 36" L x 12" W x 14" H

Slide the remaining boards into place, as shown in Image 8a. Now you get an trough planter box with 4.75" planting depth.

Note: If you want to add trellis kit onto this bed, please assemble the extension connectors **before** this step, to avoid disassembling the boards later.

IMAGE 8a

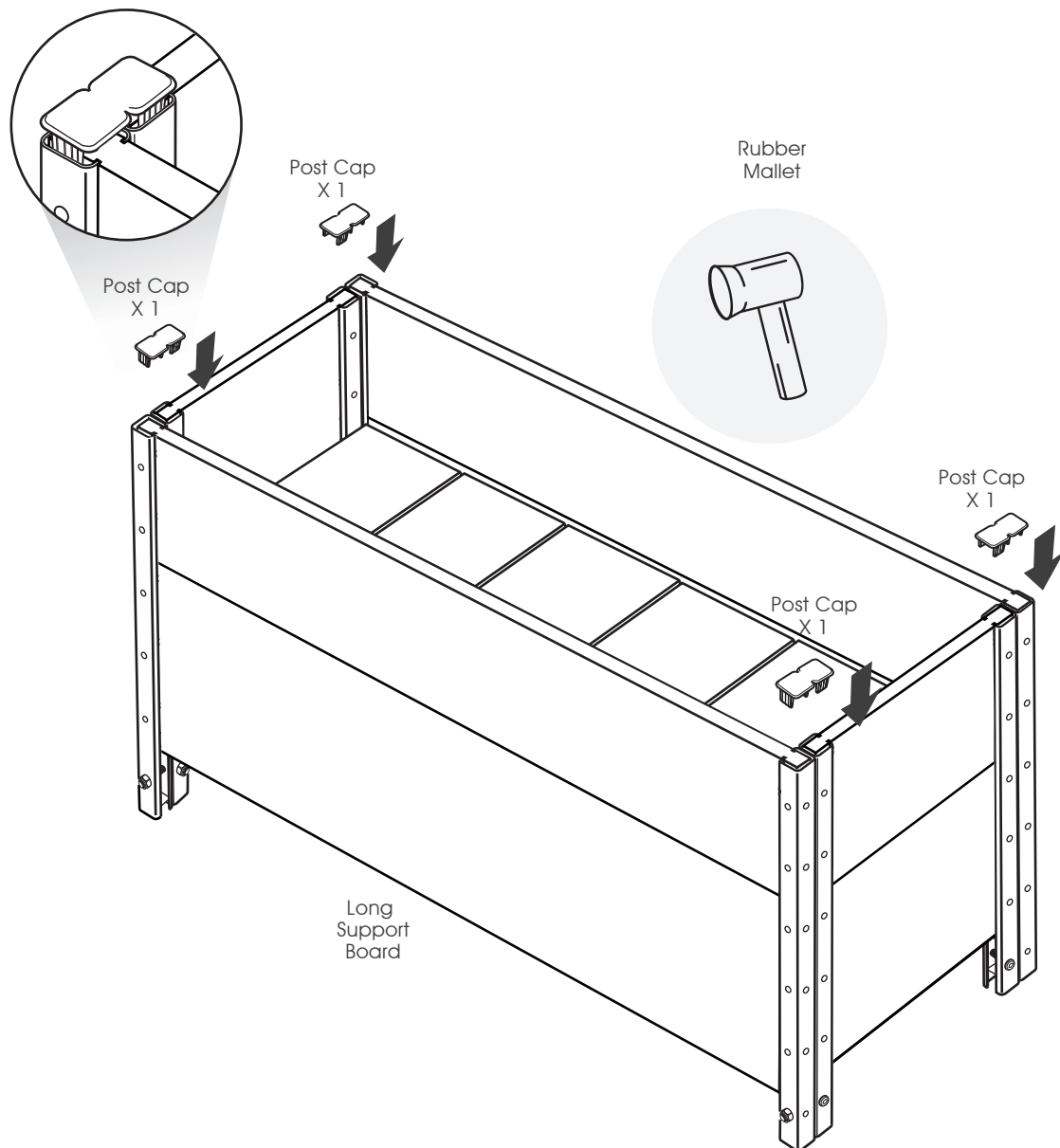


# Assembly

Trough Planter Box - 36" L x 12" W x 14" H

If necessary, use your rubber mallet to ensure the boards are tightly in place. Cover the brackets with the 4 end caps, as shown in Image 10.

IMAGE 10



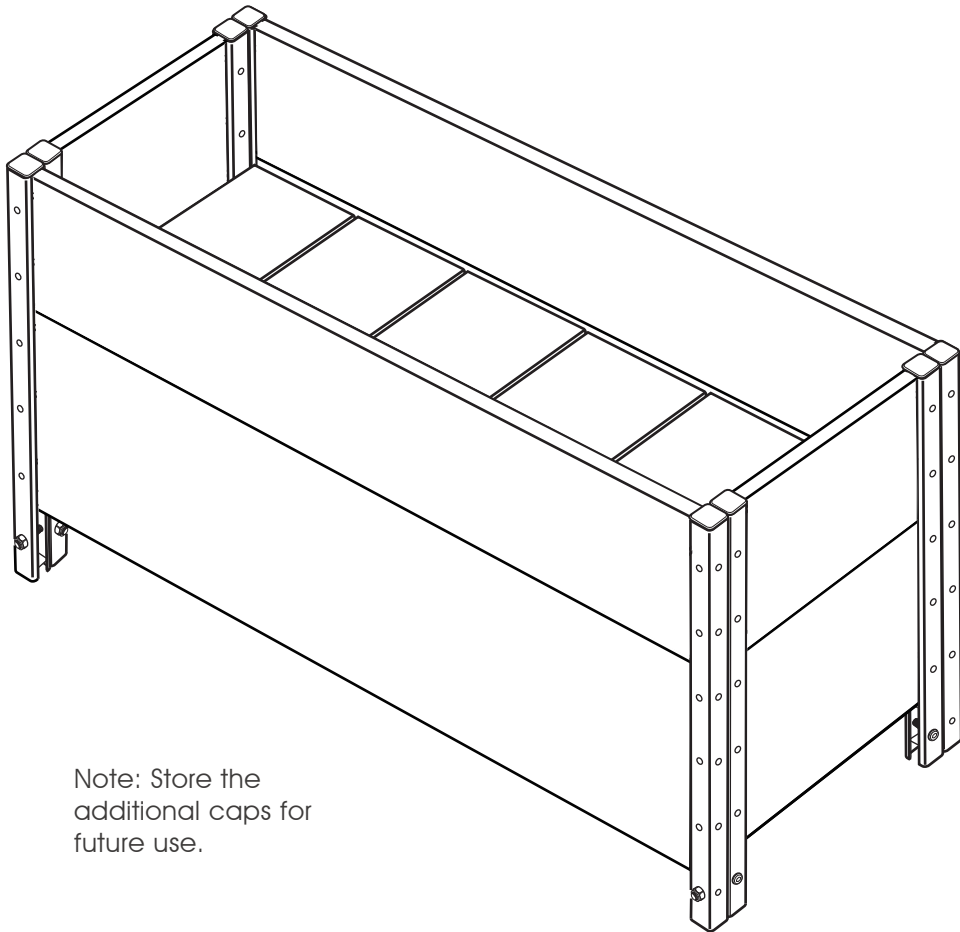
# Assembly

Trough Planter Box - 36" L x 12" W x 14" H

---

Then you get an Everbloom Trough Planter Box, as shown in Image 11.

IMAGE 11



Note: Store the additional caps for future use.



# Note

Trough Planter Box - 36" L x 12" W x 14" H

---

Sometimes there might be a misalignment of the Corner Posts as shown in Image 12 and Image 13, which may result in difficulty of sliding boards into the brackets. Please adjust them to the right position so that they are parallel to each other, and perpendicular to the ground.

IMAGE 12

Assembling Problem 1

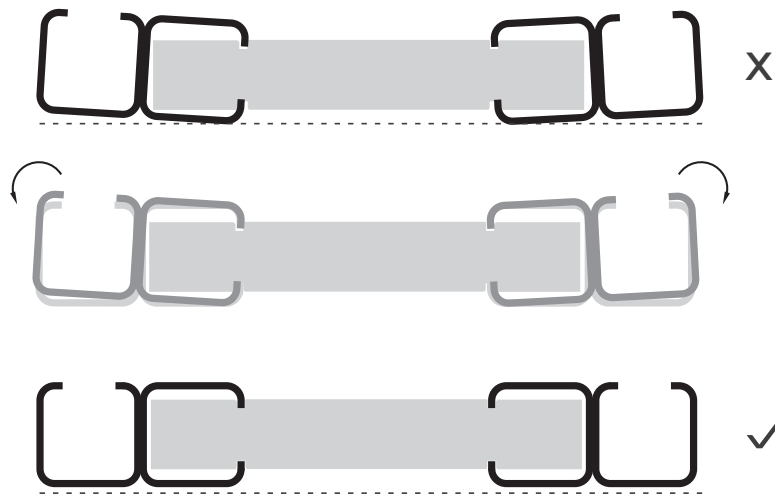
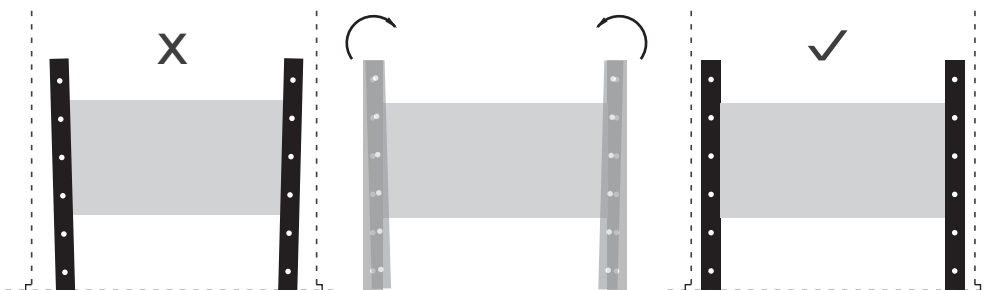


IMAGE 13

Assembling Problem 2



# Bloom On.

Everbloom-Garden.com

US Patent Pending

★ Subscribe at [www.everbloom-garden.com](http://www.everbloom-garden.com) for extra savings and upgrading information!



Distributed by:  
Dynaforge Trading LLC  
St. Paul, MN55101  
Email: [service@everbloom-garden.com](mailto:service@everbloom-garden.com)