

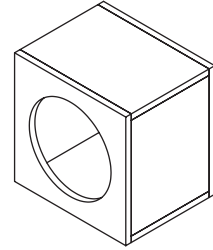


12W6v3-D4 Sealed Enclosure Design

Technical Bulletin

The W6v3 subwoofer drivers represent a significant leap forward in performance and installation flexibility over their highly regarded predecessors. To realize the full potential and achieve optimum performance with the W6v3s, it is important to understand how they differ from the v2s. By design, the optimum enclosure for a W6v3 is much smaller than the equivalent W6v2 model. If you place the v3 into an enclosure optimized for a v2, the resulting in-car frequency response might sound bottom-heavy, sloppy and / or lacking in impact.

For this reason, **please avoid oversized "universal" pre-fabricated enclosures** and build the correct enclosures for the W6v3s. Alternatively, you can choose one of JL Audio's W6v3 Enclosed Subwoofer Systems, which are built to the correct specifications.



V_b (box volume, net internal):
1.0 cu.ft. / 28.3 liters

F_3 (-3dB frequency):
41.6 Hz

F_c (resonant frequency):
46.0 Hz

Q_{tc} (total "Q", closed box):
0.79

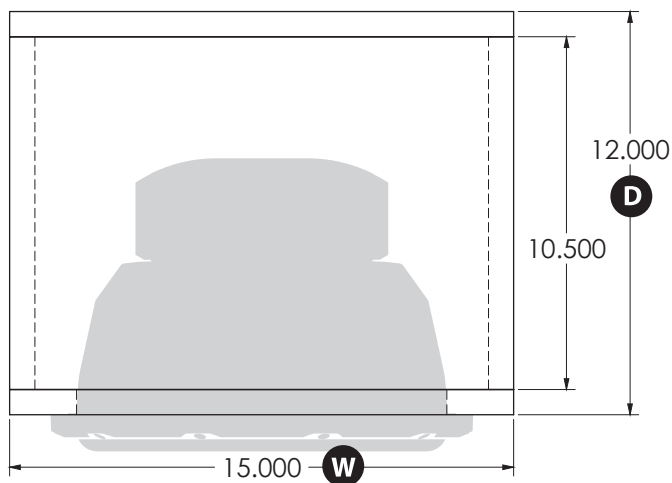
External Width (W):
15 in / 381 mm

External Height (H):
15 in / 381 mm

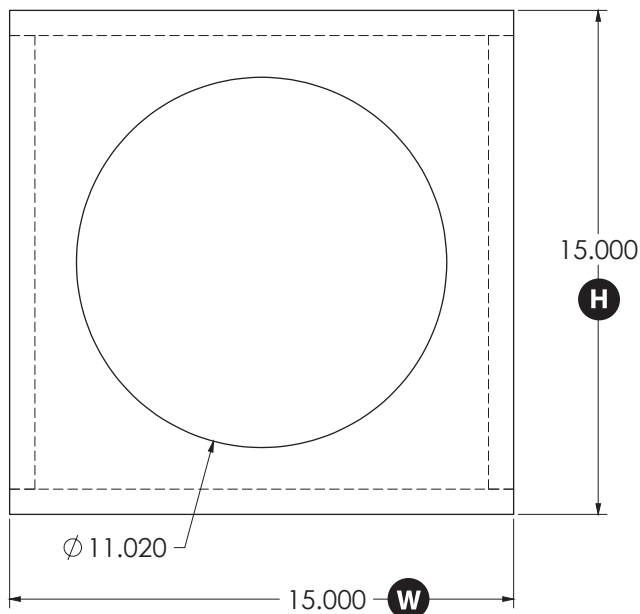
External Depth (D):
12 in / 305 mm

Wall Thickness:
 $\frac{3}{4}$ in / 19 mm

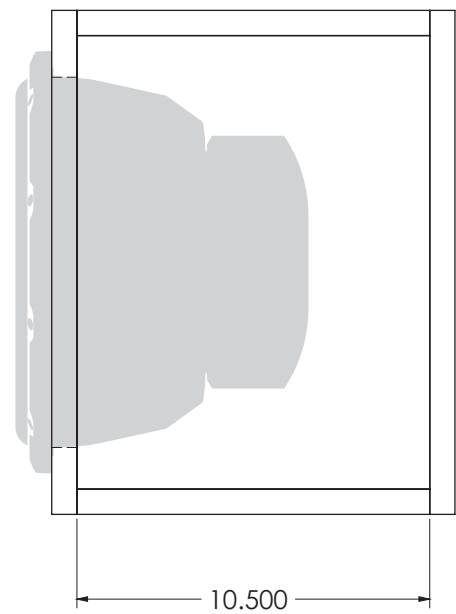
Front Baffle Thickness:
 $\frac{3}{4}$ in / 19 mm



TOP VIEW



FRONT VIEW



SIDE VIEW