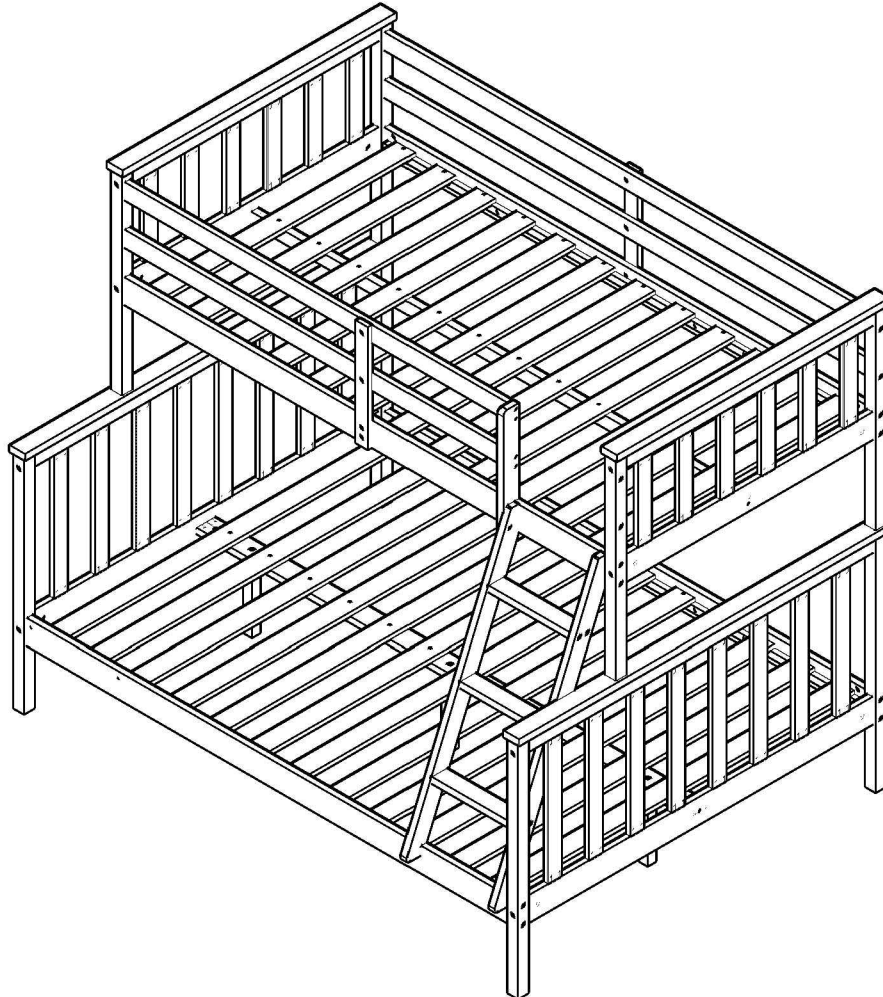


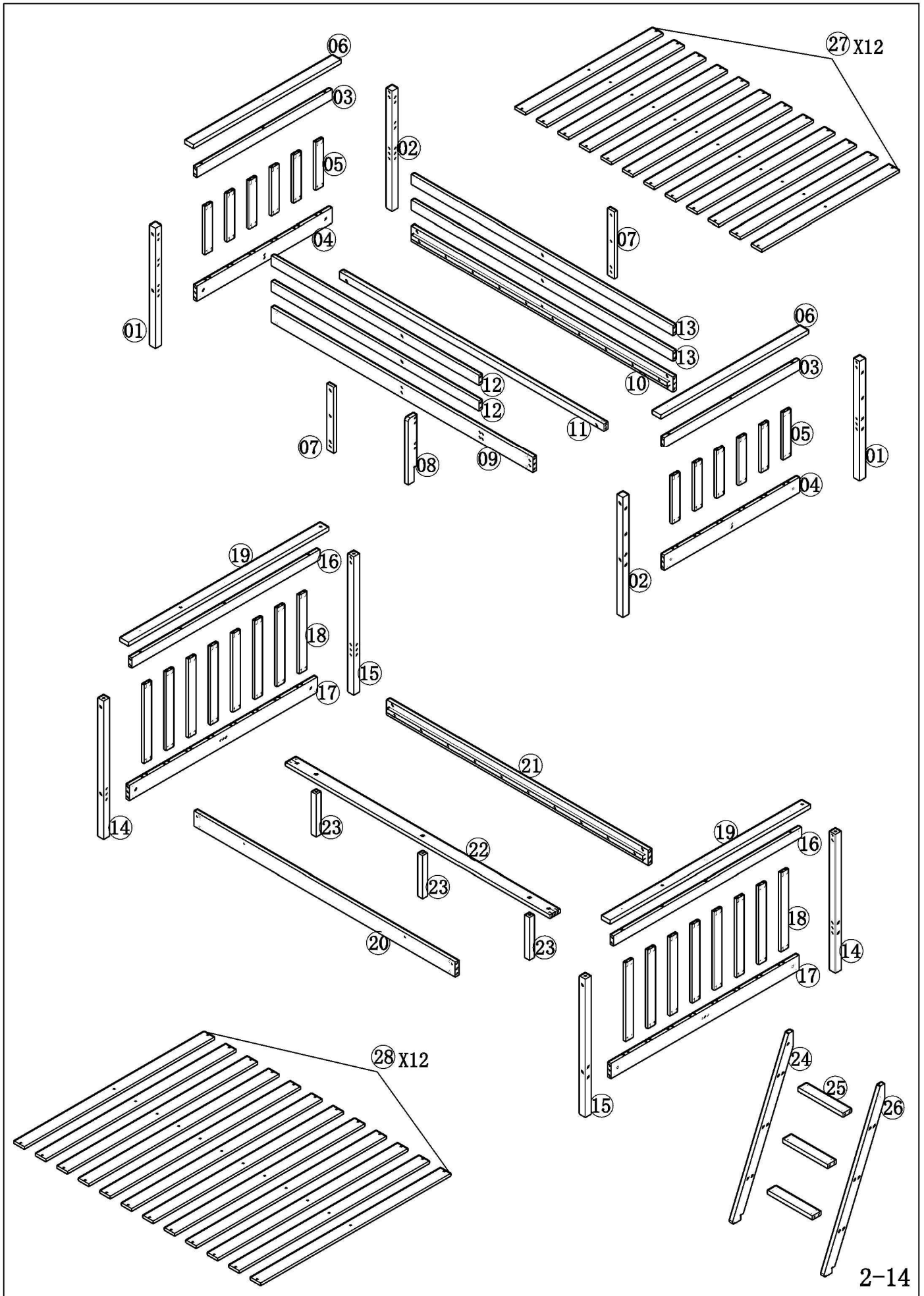
INSTRUCTION MANUAL



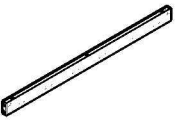
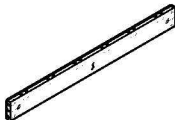

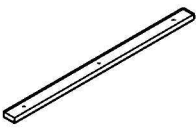


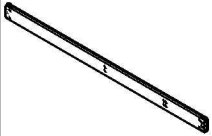
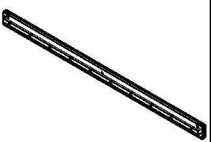
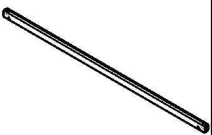
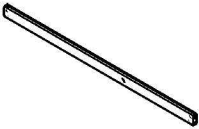

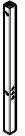

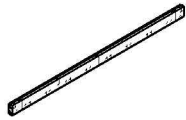


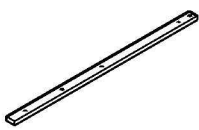

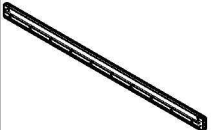








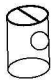

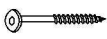




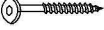








Twin Over Full Bunk Bed Frame




NOTE:

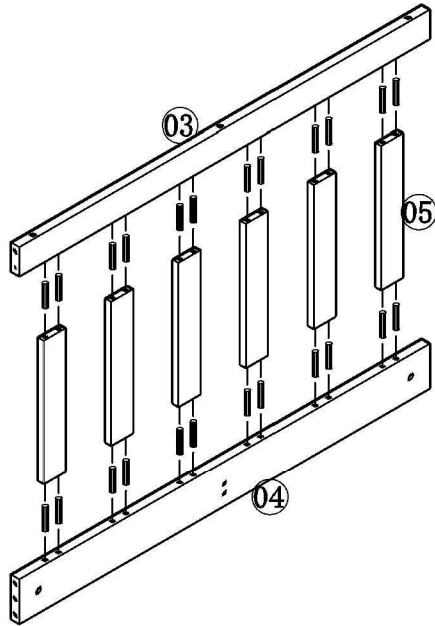
1. When receiving the goods, please confirm the product according to the instructions. Once you find less pieces, please provide relevant pictures to contact us. We will deal it in the time.
2. Please install goods with the instruction manual.
3. It is recommended that the installation should not be too tight to adjust easily. After the structure is installed, firm the interface for more stability.



01 -2pcs 	02 -2pcs 	03 -2pcs 	04 -2pcs 	05 -12pcs 	06 -2pcs 
07 -2pcs 	08 -1pcs 	09 -1pcs 	10 -1pcs 	11 -1pcs 	12 -2pcs 
13 -2pcs 	14 -2pcs 	15 -2pcs 	16 -2pcs 	17 -2pcs 	18 -16pcs 
19 -2pcs 	20 -1pcs 	21 -1pcs 	22 -1pcs 	23 -3pcs 	24 -1pcs 
25 -3pcs 	26 -1pcs 	27 -12pcs 	28 -12pcs 	A -25pcs 	B -31pcs 
C -50pcs 	D -18pcs 	E -4pcs 	F -1pcs 	G -78pcs 	H -4pcs 
I -18pcs 	M -8pcs 	U -12pcs 	P -2pcs 	W -2pcs 	Y -118pcs 
R -4pcs 	S -2pcs 	T -2pcs 			


1

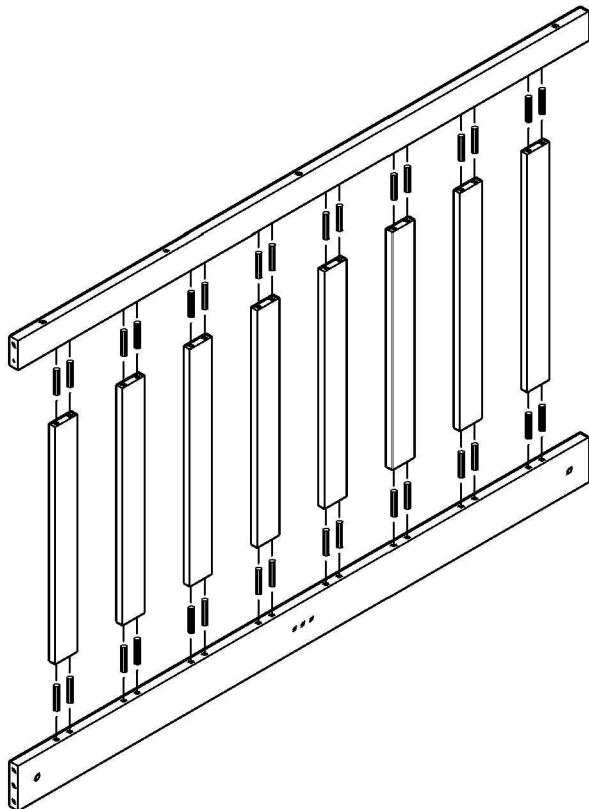
Y x48 



X2





2

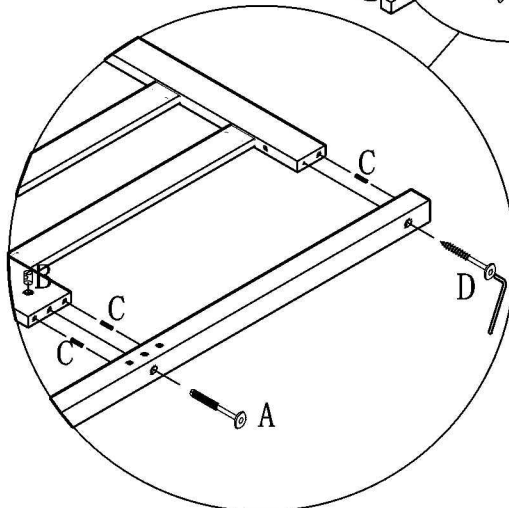
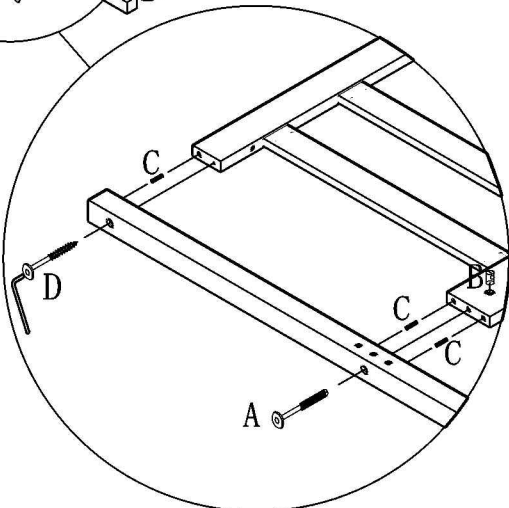
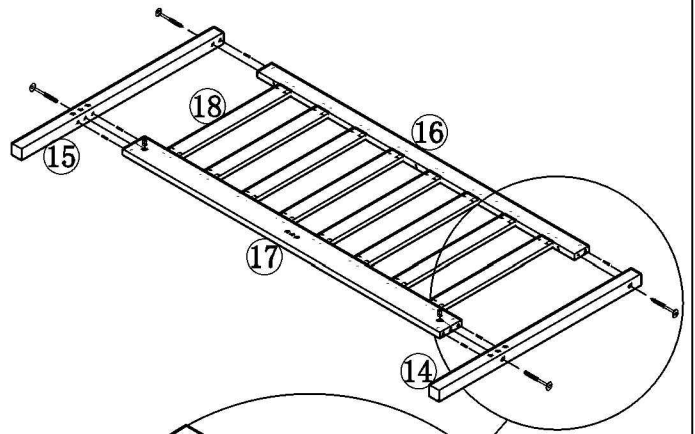
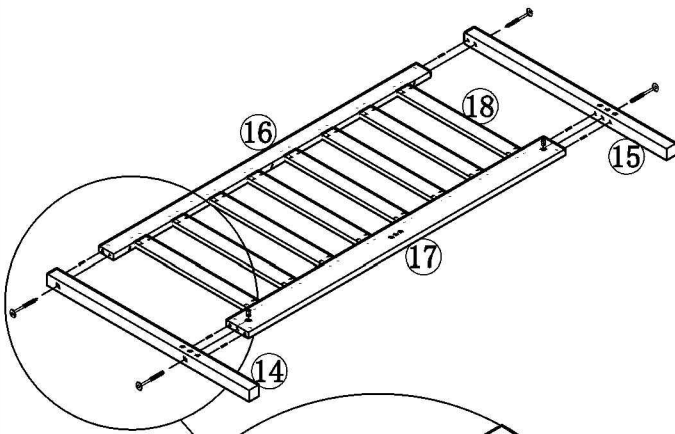
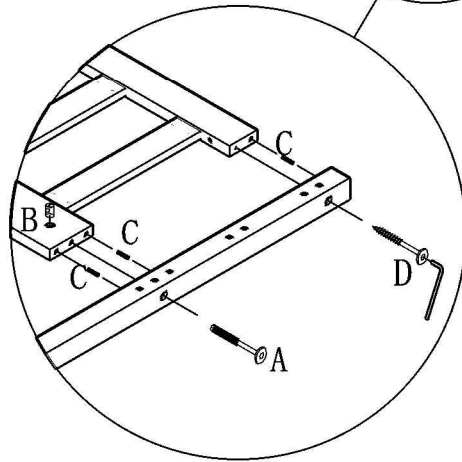
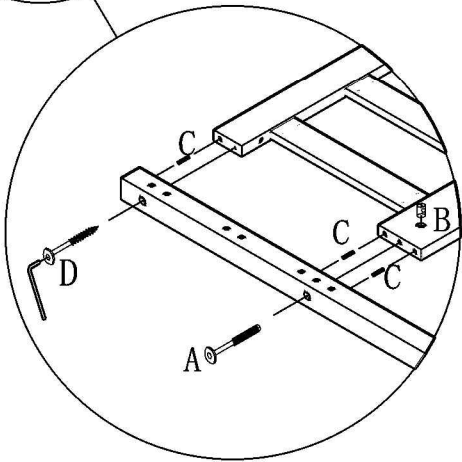
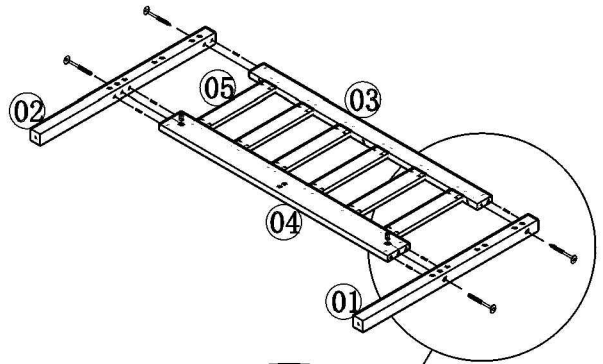
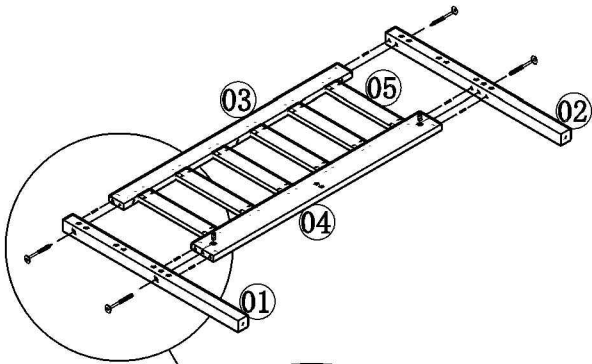
Y x64 



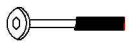
X2

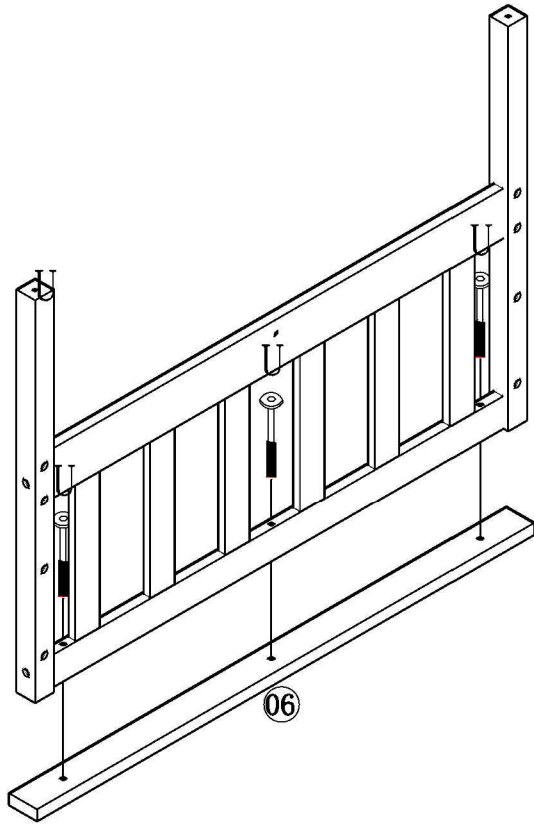
3

A x8		D x8	
B x8			
C x24			

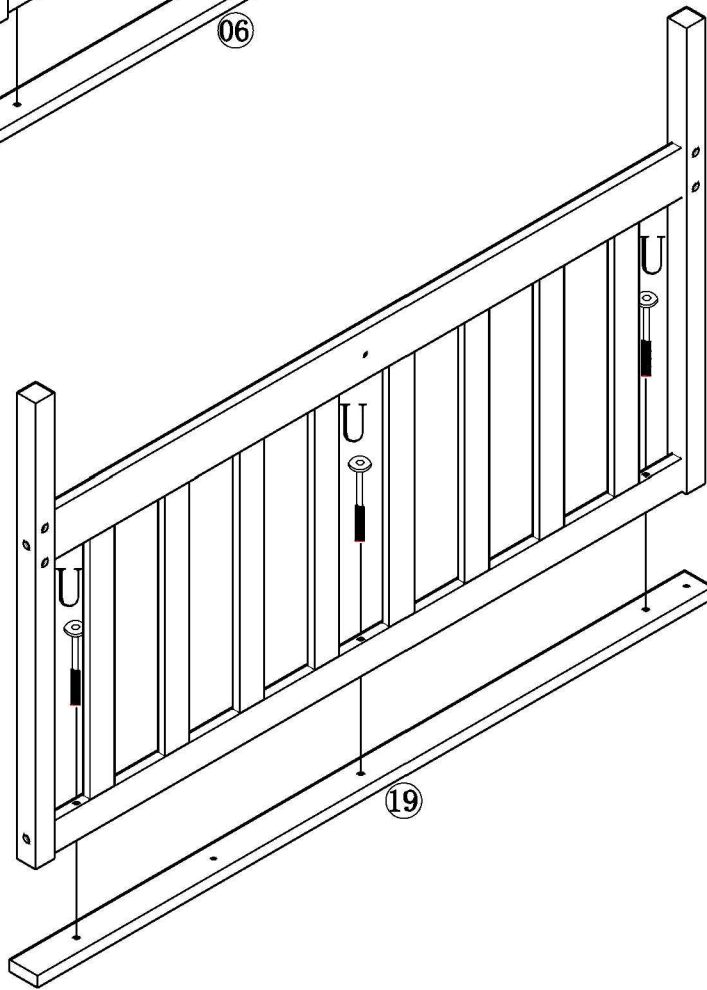


4

U x12 

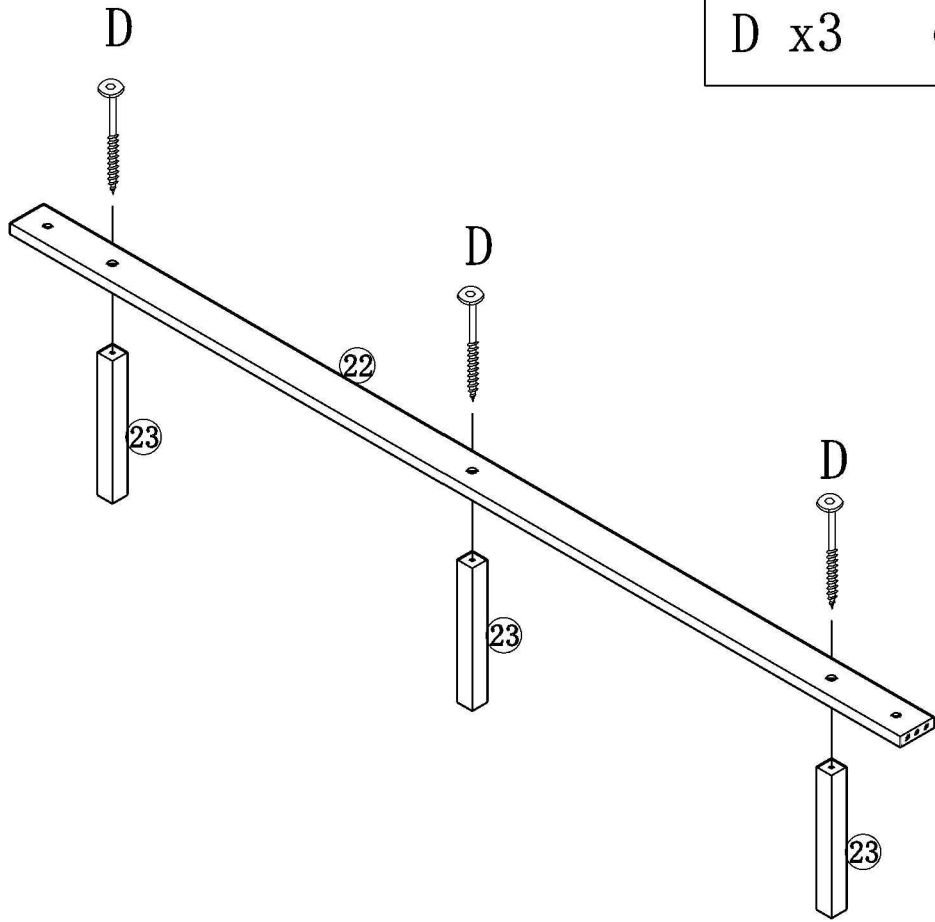



X2



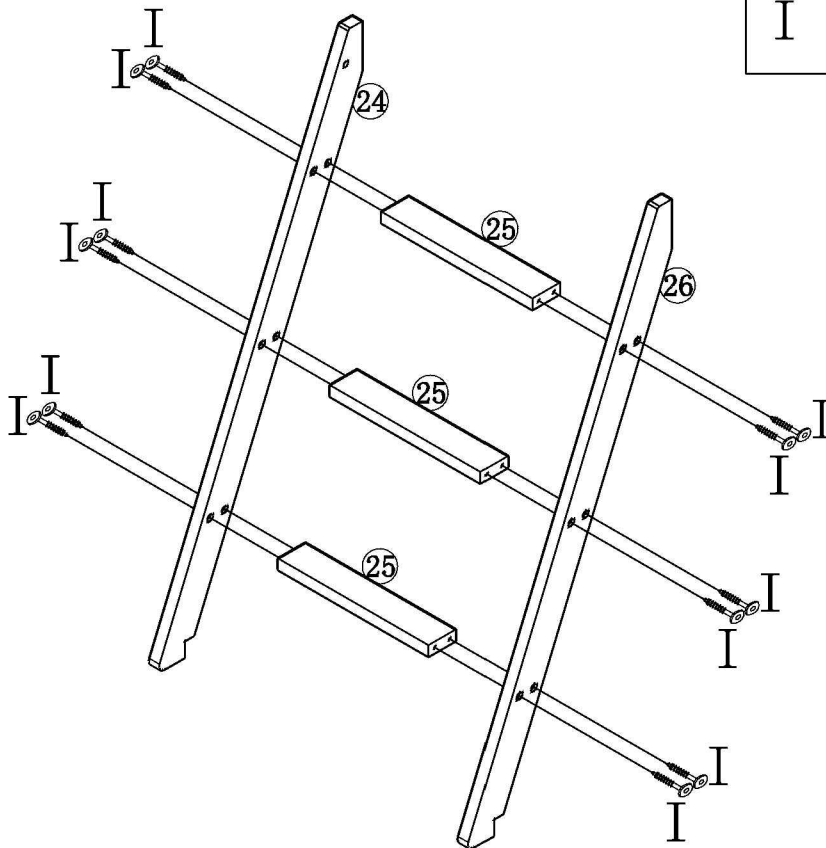
X2

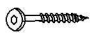
5






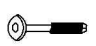
D x3 

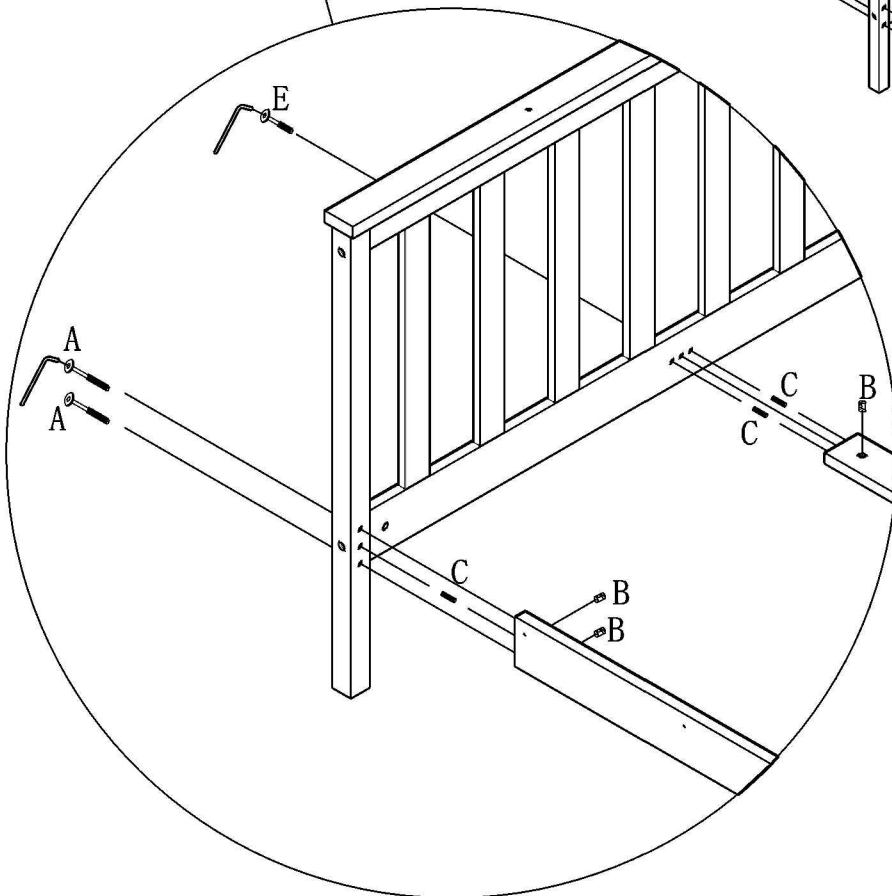
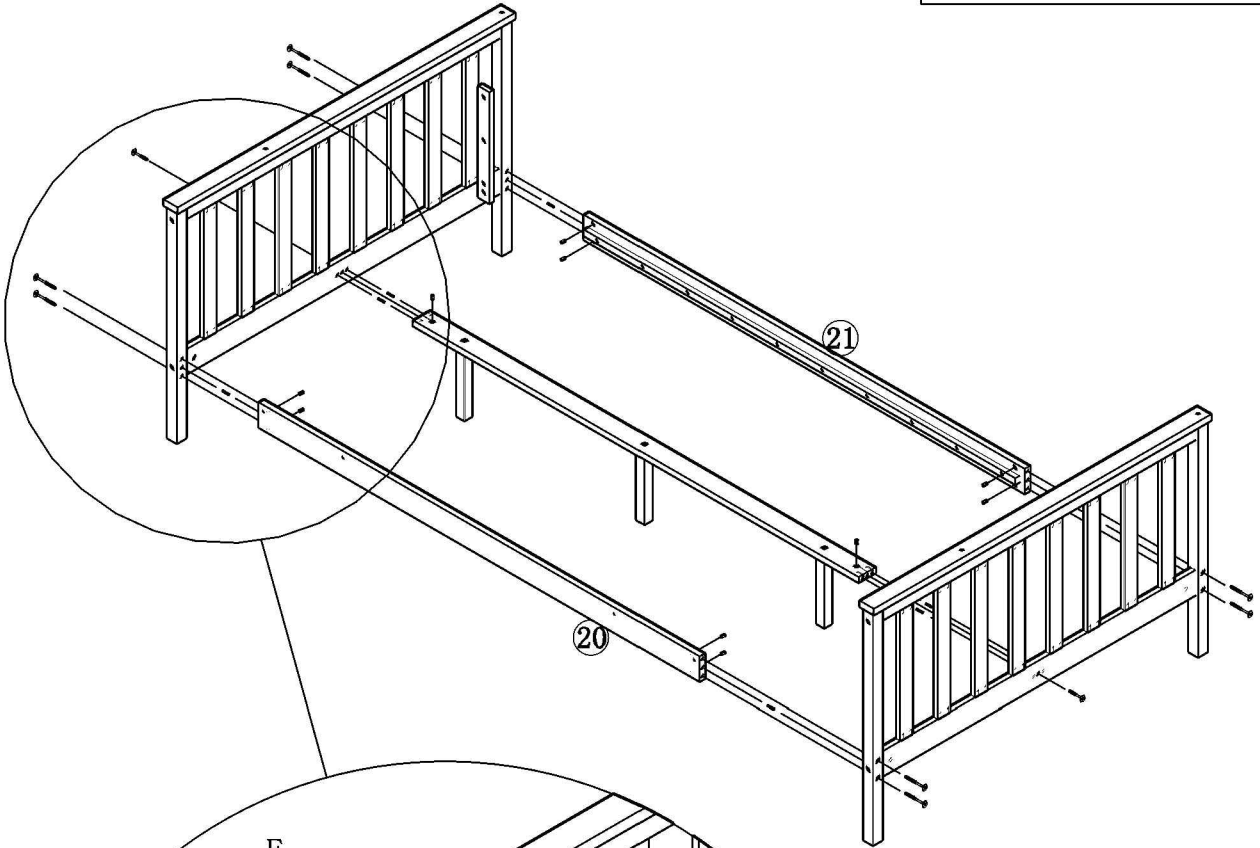
6




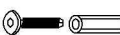

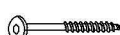


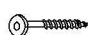
I x12 

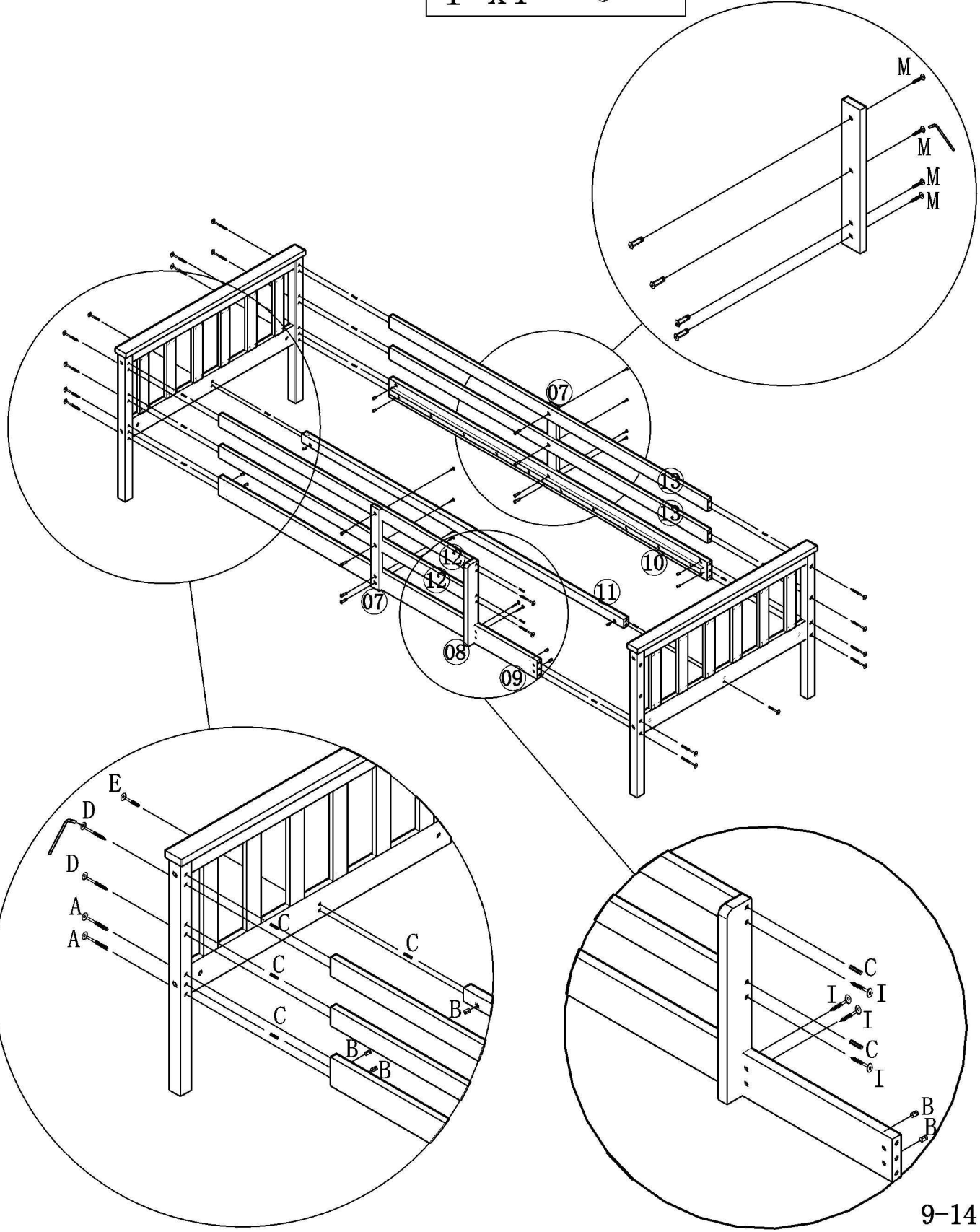
7

A	x8	
B	x10	
C	x8	
E	x2	




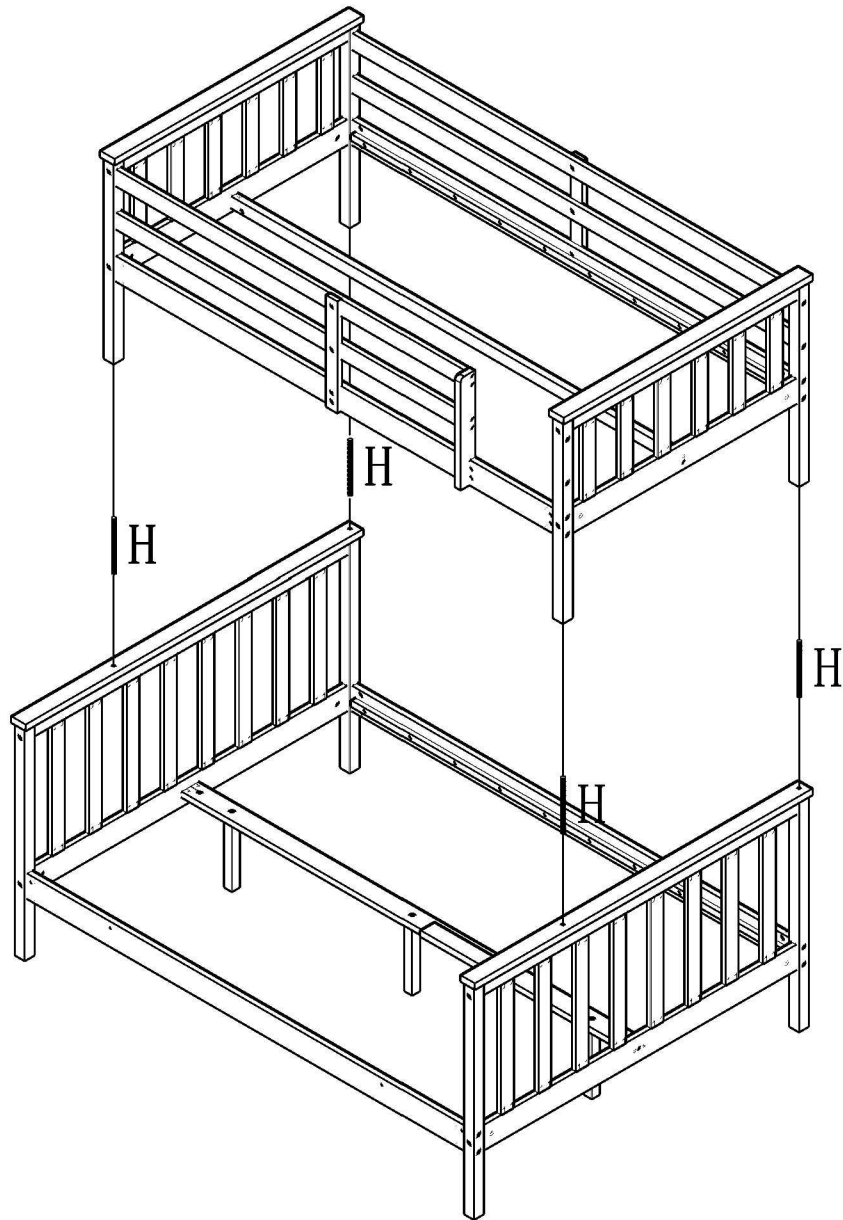
8

A x8		M x8	
B x10		D x6	
C x14		E x2	
I x4			






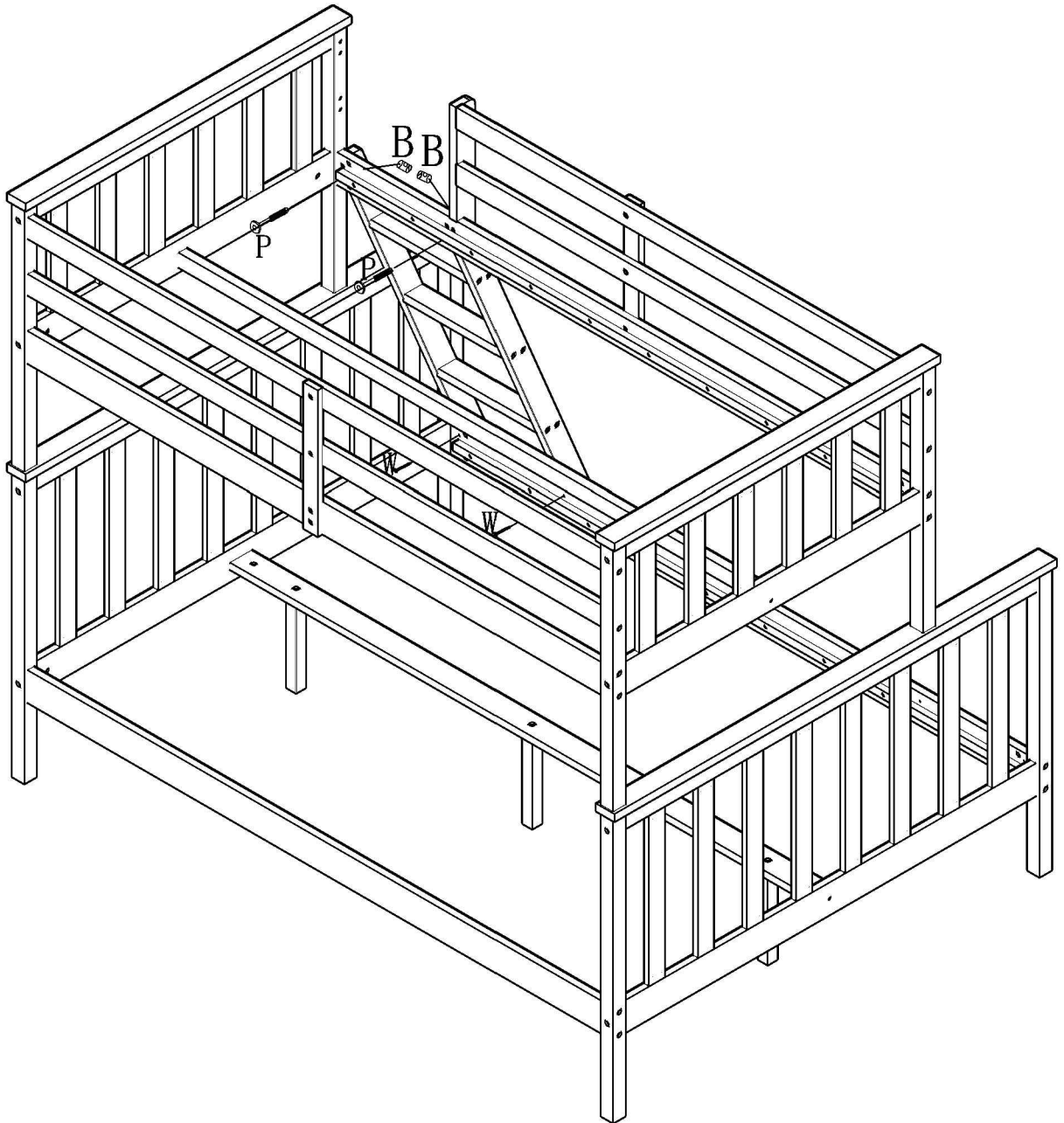
9

H x4 


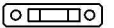



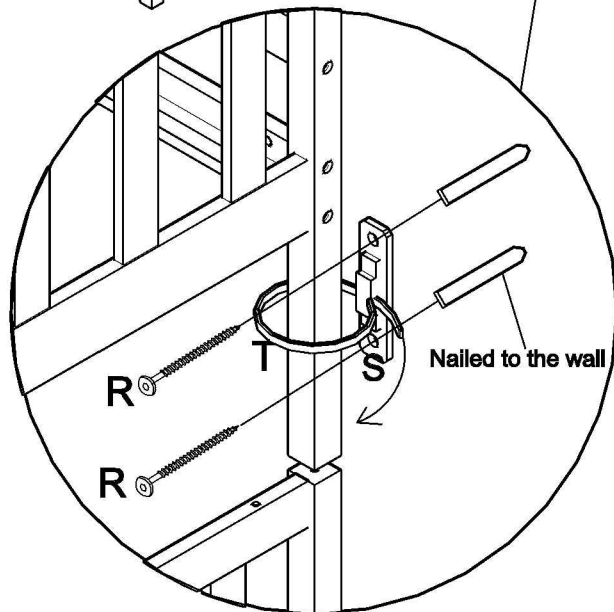
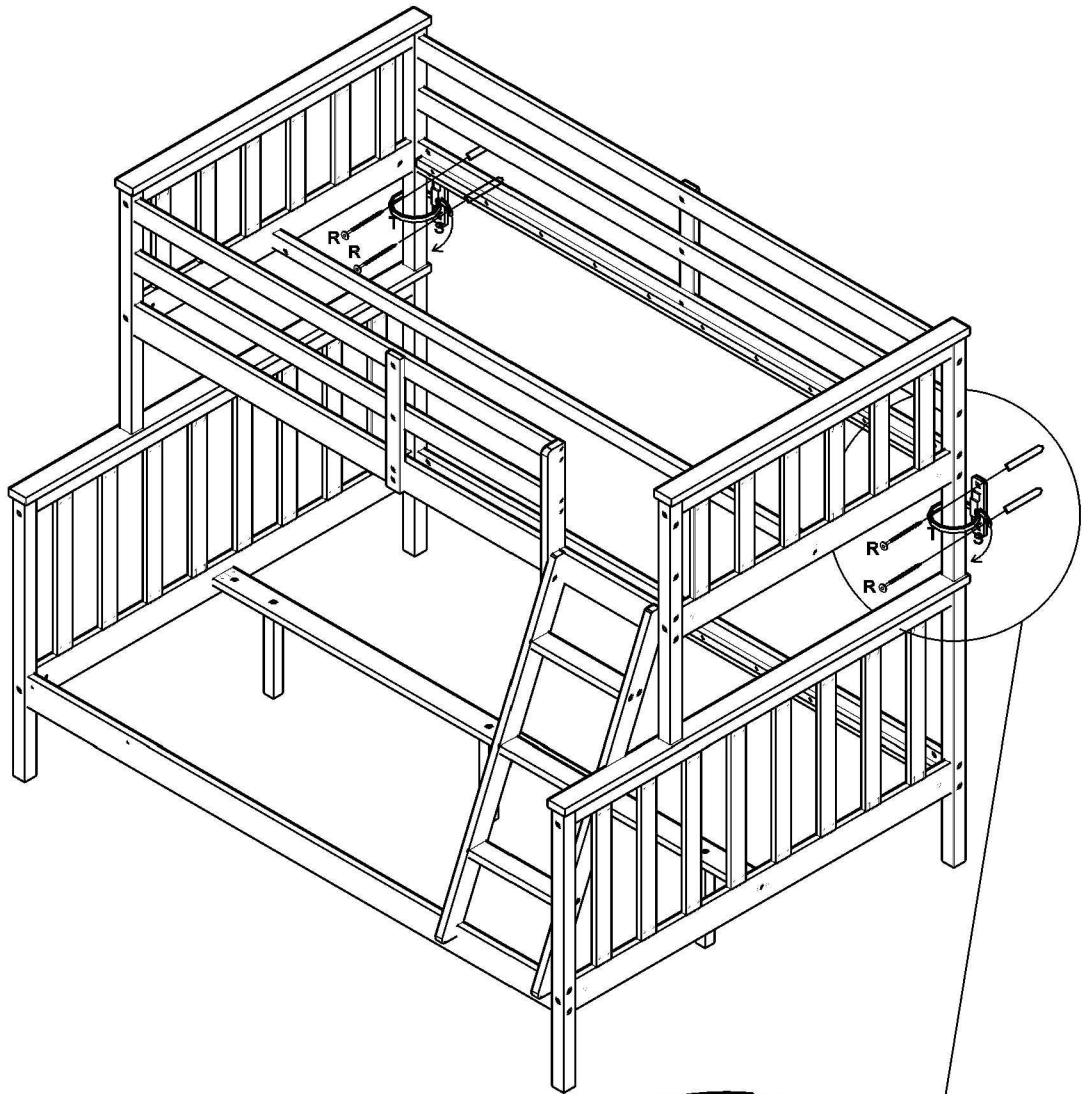
10

P	x4	
B	x2	
W	x2	



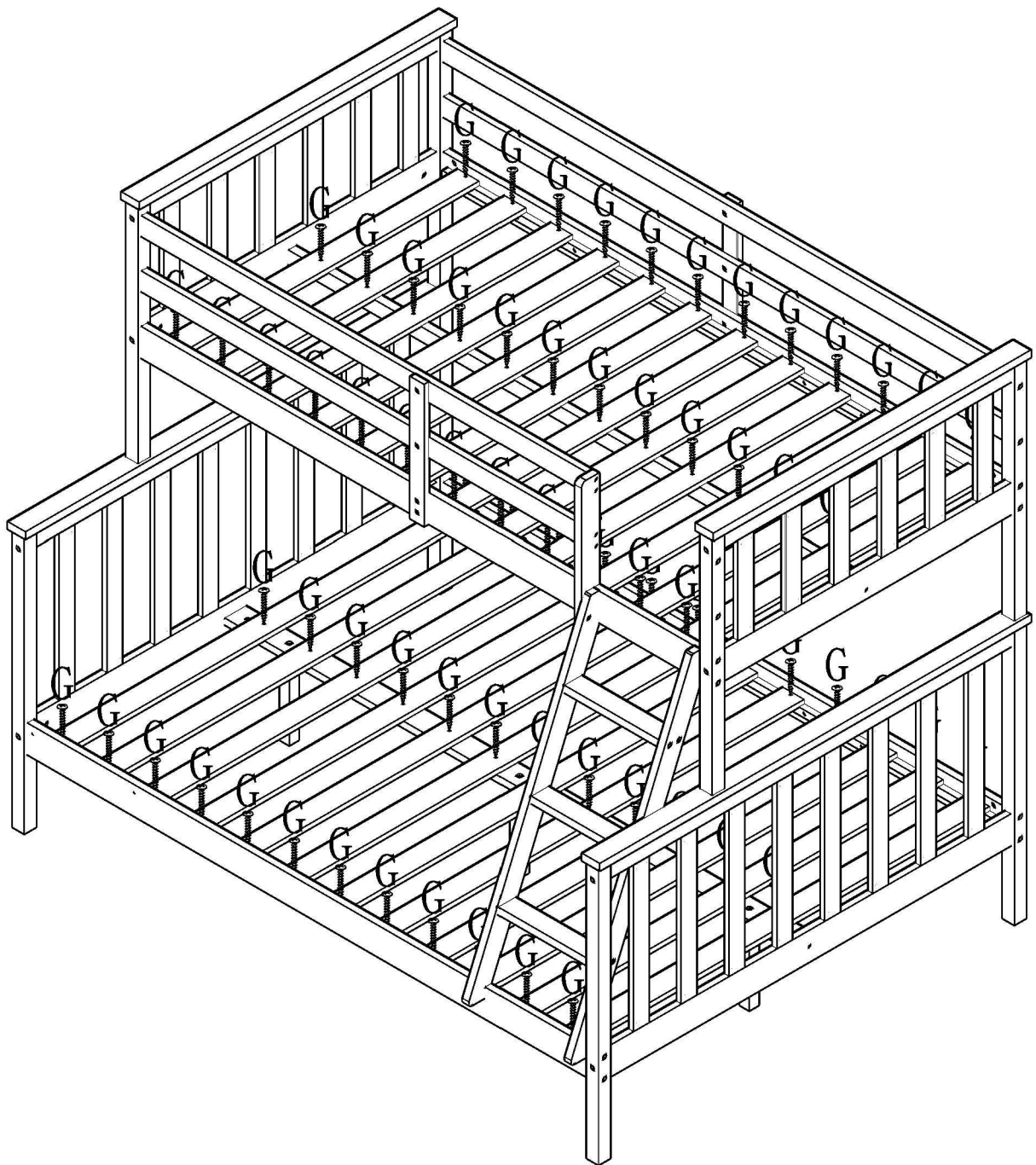
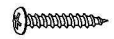
11

R	x4	
S	x2	
T	x2	

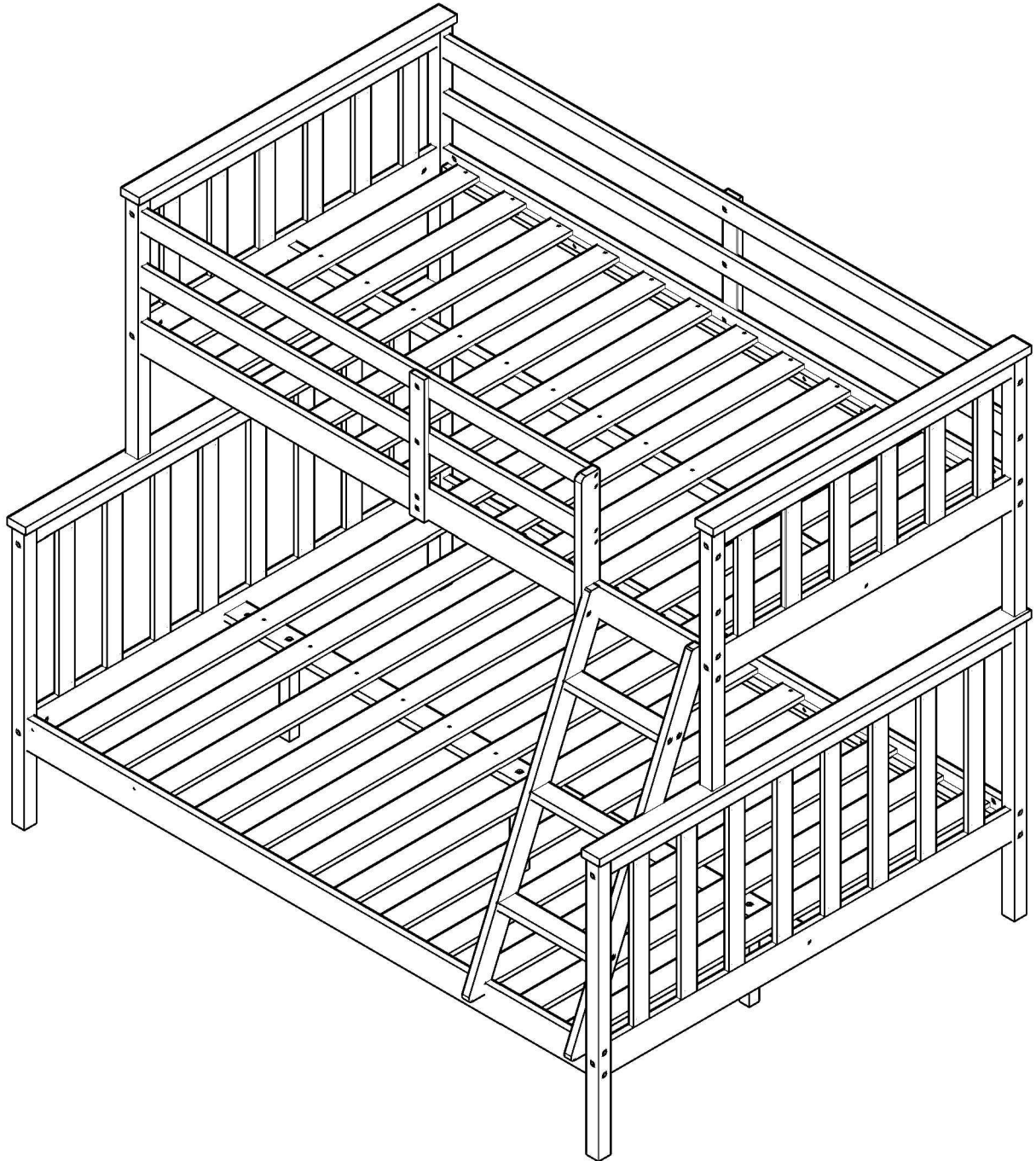


12

G x72



13





CONTACT US

Thanks for purchase from JOYMOR! Sincerely hope you have a happy shopping experience with us, and will kindly share the happy feeling to your family or friends, it will greatly encourage our passions to provide better products and efficient service.

In case you have any unpleasant experience, please contact us for help at the first time as below:



support@joymor.com



www.joymor.com

We will reply to you within 24 hours as soon as possible and try our best to make you happy shopping again.



WARNING

1. Product is only for adult to assemble.
2. Retain instructions for future reference.
3. Read all instruction carefully and follow each step to assemble.
- 4 Always place the product on a flat, steady and stable surface.
5. Keep all small parts and packaging materials for this product away from babies and children as they potentially pose a serious choking hazard.
6. We recommend that, where possible, all items are assembled near to the area in which they will be placed in use, to avoid moving the product unnecessarily once assembled.