



Equipment for the Foodservice Industry  
value + quality + service

## ALL Stainless Steel Worktables

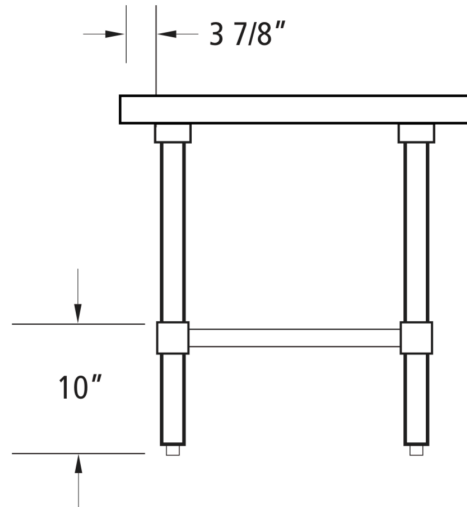
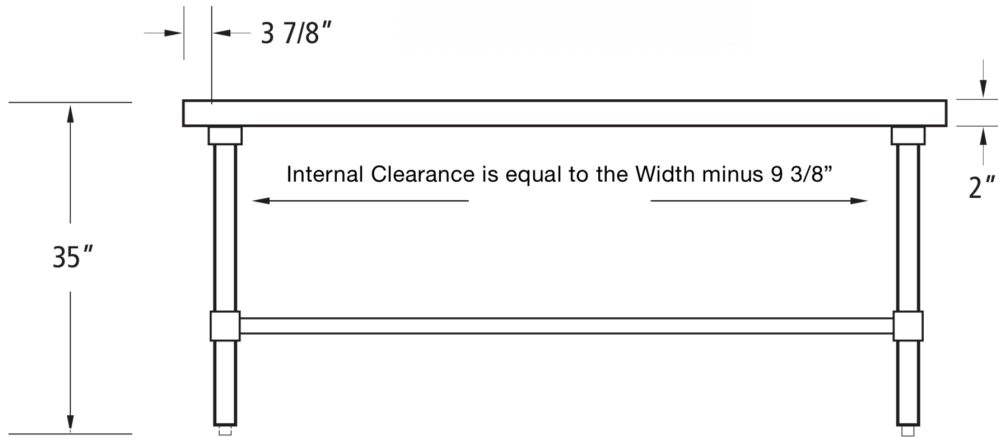


### **Stainless Steel Worktables** **Features**

Features:

- Heavy duty, 18 gauge, Type 304 stainless steel top for easy cleaning and stain resistance
- Top is TIG welded
- Entire top surface is machine polished to a satin finish
- Reinforced to exceed industry standards
- Galvanized hat channels are secured to top by structural adhesive and weld studs
- Gussets welded to support hat sections
- Hemmed edges provide strength and safety
- Simple assembly
- Shipped unassembled for reduced cost and space
- Heavy duty Type 430 stainless steel legs and under-shelves for durability
- Die cast reinforced leg sockets for stability
- Legs are 1 5/8" diameter
- Adjustable ABS bullet feet to accommodate uneven flooring
- 84" and above have 6 legs
- Specifications subject to change without notice.

**Stainless Steel Worktables Specifications**



**24" WORKTABLES**

Product #	Width	Shipping Dimensions			Weight (lbs)
		L"	W"	H"	
TS2436	36	38	26	3	50
TS2448	48	50	26	3	60
TS2460	60	62	26	3	71
TS2472	72	74	26	3	81
TS2484	84	86	26	3	100
TS2496	96	98	26	3	110

**30" WORKTABLES**

Product #	Width	Shipping Dimensions			Weight (lbs)
		L"	W"	H"	
TS3036	36	38	32	3	57
TS3048	48	50	32	3	69
TS3060	60	62	32	3	83
TS3072	72	74	32	3	95
TS3084	84	86	32	3	115
TS3096	96	98	32	3	130