



Equipment for the Foodservice Industry

value + quality + service

## Stainless Steel Worktables

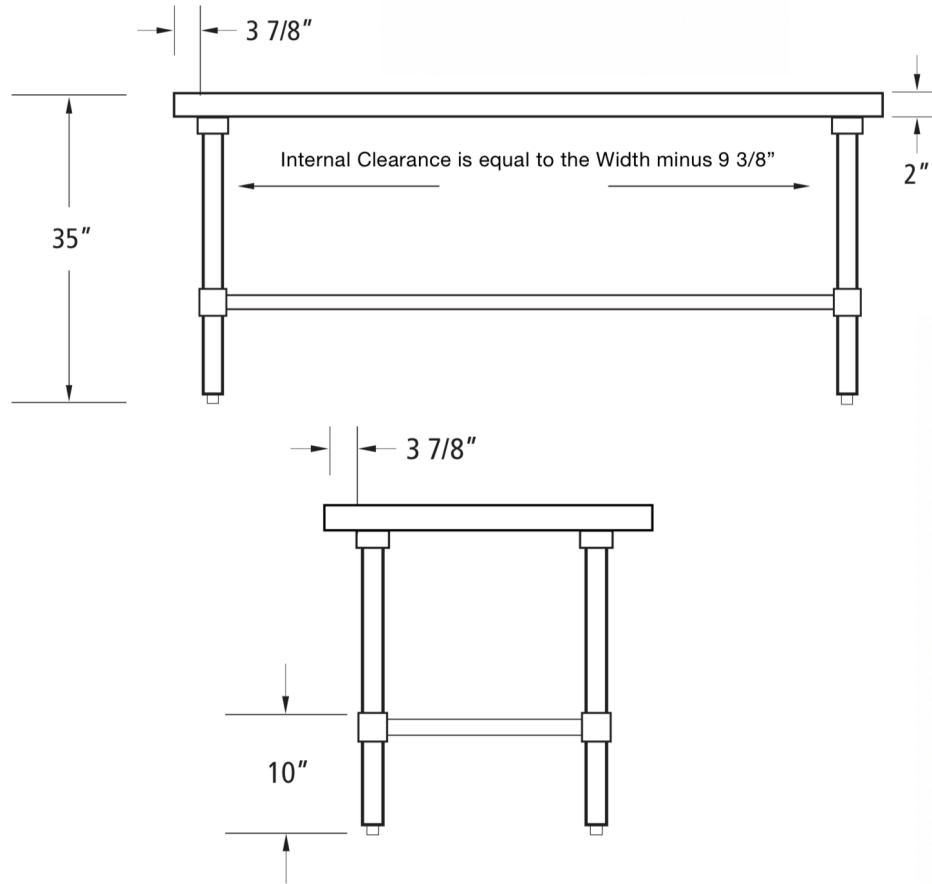


### Stainless Steel Worktables Features

Features:

- Heavy duty, 18 gauge, Type 430 stainless steel top provides long life
- Top is TIG welded
- Entire top surface is machine polished to a satin finish
- Reinforced to exceed industry standards
- Galvanized hat channels are secured to top by structural adhesive and weld studs
- Gussets welded to support hat sections
- Hemmed edges provide strength and safety
- Simple assembly
- Shipped unassembled for reduced cost and space
- Galvanized legs and undershelf for durability and economy
- Die cast reinforced leg sockets for stability
- Legs are 1 5/8" diameter
- Adjustable ABS bullet feet to accommodate uneven flooring
- 84" and above have 6 legs
- Specifications subject to change without notice.

**Stainless Steel Worktables Specifications**



**24" WORKTABLES**

| Product # | Width | Shipping Dimensions |    |    | Weight (lbs) |
|-----------|-------|---------------------|----|----|--------------|
|           |       | L"                  | W" | H" |              |
| T2424     | 24    | 36                  | 26 | 3  | 41           |
| T2430     | 30    | 36                  | 26 | 3  | 45           |
| T2436     | 36    | 38                  | 26 | 3  | 50           |
| T2448     | 48    | 50                  | 26 | 3  | 60           |
| T2460     | 60    | 62                  | 26 | 3  | 71           |
| T2472     | 72    | 74                  | 26 | 3  | 81           |
| T2484     | 84    | 86                  | 26 | 3  | 100          |
| T2496     | 96    | 98                  | 26 | 3  | 110          |

**30" WORKTABLES**

| Product # | Width | Shipping Dimensions |    |    | Weight (lbs) |
|-----------|-------|---------------------|----|----|--------------|
|           |       | L"                  | W" | H" |              |
| T3030     | 30    | 38                  | 32 | 3  | 50           |
| T3036     | 36    | 38                  | 32 | 3  | 57           |
| T3048     | 48    | 50                  | 32 | 3  | 69           |
| T3060     | 60    | 62                  | 32 | 3  | 83           |
| T3072     | 72    | 74                  | 32 | 3  | 95           |
| T3084     | 84    | 86                  | 32 | 3  | 115          |
| T3096     | 96    | 98                  | 32 | 3  | 130          |