

# ROWAN

## ALEXANDRA

Design & Pattern by Quail Studio

ZB229-00001

v.1









# ALEXANDRA

Design & Pattern by Quail Studio

Craft 

Skill Level 

ROWEB-00001 

v.1

**SIZES:** XS(S,M,L,XL)

**YARN USED:** 6(6,7,8,9) x 50g Rowan Sultano  
(shown in shade Whisper 001)

**More Yarn  
Information**

on [knitrowan.com](http://knitrowan.com)

**NEEDLES:** 9mm

**TENSION:** 11sts and 11rows to 10cm measured over pattern  
using 9mm needles.

**EXTRAS:** Stitch Holder

## BACK

Using 9mm needles, cast on 56(58,60,62,64)sts.  
Work 6 rows in g st

**Row 1:** Knit 1 row, wrapping yarn round needle twice  
**Row 2:** Knit, dropping wrapped stitch from previous row  
**Row 3:** Knit  
**Row 4:** Knit

Rep last 4 rows throughout  
Continue until work measures 52(52,55,55,55)cm ending on row  
1 of pattern repeat.

Work in g st for 4 rows.

### Shape neck

With RS facing, Knit 14(15,16,17,18)sts, turn leave rem sts on a  
holder.

**Next Row:** K2, K2tog, K to end.  
Cast off.

With RS facing, Rejoin yarn, cast off centre 28sts. Knit to end.  
**Next Row:** K to last 4sts, K2tog, K2  
Cast off.

## FRONT

Work as for back until front meas 6 rows less than on back, ending  
on a WS row

Continue in g st  
With RS facing, Knit 20(21,22,23,24)sts, turn.

**Row 1:** K2, K2tog, K to end  
**Row 2:** K to last 4sts, K2tog, K2  
Rep last 2 rows twice more. 14[15,16,17,18]sts.  
Cast off

With RS facing, Rejoin yarn, cast off centre 16sts, knit to end.  
Continue in g st

**Row 1:** K to last 4sts, K2tog, K2  
**Row 2:** K2, K2tog, K to end  
Rep last 2 rows twice more. 14[15,16,17,18]sts.  
Cast off.

## SLEEVES

Using 9mm needles, cast on 28sts.  
Work 6 rows in g st

Keeping pattern as set for back inc 1 st at each end of 3rd and  
every foll 4th row to 42(42,44,46,46)sts.  
Continue until sleeve meas 30(30,32,34,34)cm ending with a WS  
row.  
Cast off.

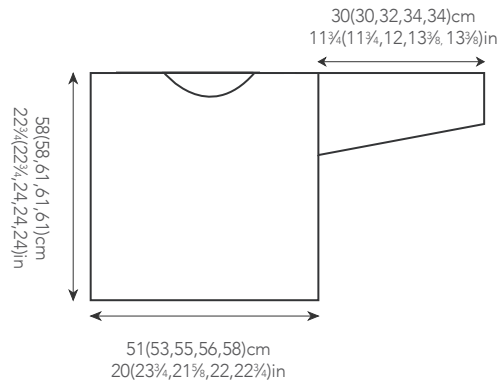
## FINISHING

Press as described on the information page.  
Using mattress stitch join right shoulder seam.

Using 9mm needles and right side facing, pick up and knit 5sts  
down left front neck, pick up 16sts from front neck, 5sts up right  
front neck, 1 st down right back neck, pick up 28sts from back  
neck, and 1 st up left back neck. 56sts.

Work 6 rows in g st.  
Cast off loosely.

Join left shoulder seam and neckband seam using mattress stitch.  
Place markers 33(33,35,34,34)cm up from cast on edge on back  
and front, this denotes armholes.  
Sew in sleeves.  
Join side and sleeve seams.



Information  
Pages