

C321

SSV KIT (Marverick X3) –Aluminum Roof

Replacement for:715002900,715004224

NOTICE

1.Our Products is not a licensed BRP product. We do not claim ownership and have no affiliation with product. Any product copyrights and trademarks belong to the respective owners. Any references by ours to third party trademarks is to identify the corresponding third party's goods and shall be considered nominative fair use under the trademark law.

Unless specifically identified as such, our use of third party trademarks does not indicate any relationship, sponsorship, or endorsement between us and BRP.

2.Our Products are intended for Off-road and Custom uses only. They should be used at your own risk and its owners are free expenses resulting from any damages occurring from use or misuse of our products. If you do not agree with these terms please return our products for a full refund. Thank you.

The following symbols may be used in this document:

⚠ WARNING

Indicates a hazardous situation which, if not avoided, could result in death or serious injury.

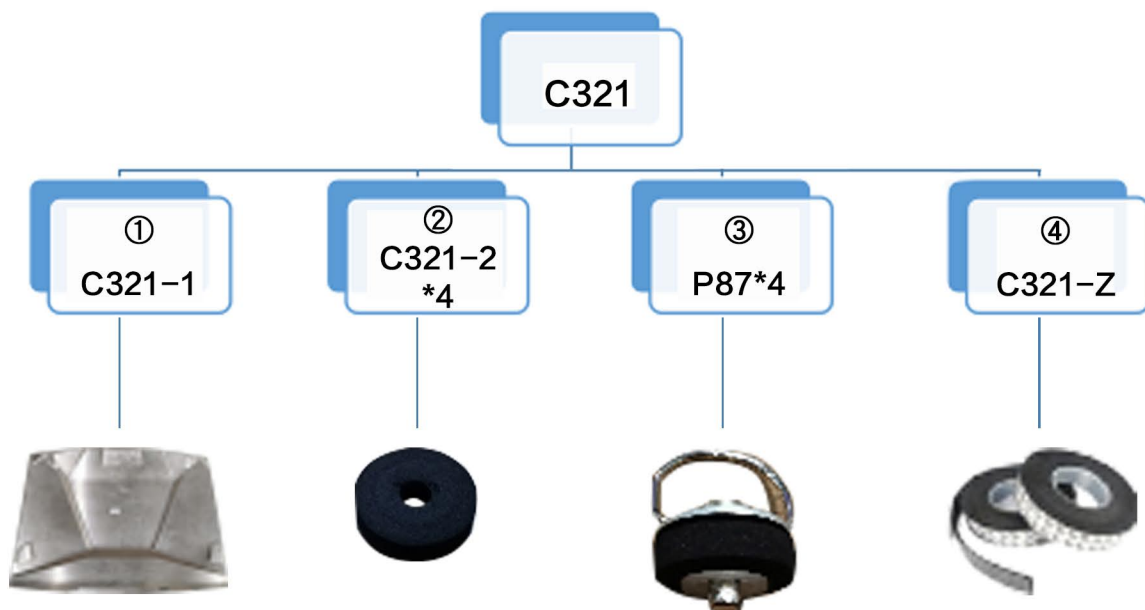
⚠ CAUTION: Indicates a hazard situation which, if not avoided, could result in minor or moderate injury.

NOTICE

Indicates an instruction which, if not followed, could severely damage vehicle components or other property.

⚠ WARNING

- For safety reasons, this kit should be installed by an authorized BRP dealer.
- This kit is designed for specific applicable models only (authorized BRP dealers will confirm model(s)). It is not recommended for units other than the one (those) for which it was sold.
- If the installation of the kit requires a template, ensure that template is to scale.
- Should removal of a locking device (e.g. lock tabs, self-locking fasteners, etc.) be required when undergoing disassembly/assembly, always replace with a new one.
- Torque wrench tightening specifications must strictly be adhered to.



C321

PARTS TO BE INSTALLED

ITEM	DESCRIPTION	Part number	QTY
P1	Aluminum roof	Not available separately	1
P2	1/4 Turn Screw (9 mm)	Not available separately	4
P3	25mm Steel washer	Not available separately	4
P4	M6 Plastic flat washer	Not available separately	4
P5	Nylon Retaining ring	Not available separately	4
P6	Urethane 1/4 turn washer	Not available separately	4
P7	Small Neoprene seal	293200003	2000 mm
P8	Large Neoprene seal	293250186	1300 mm

SERVICE PARTS

ITEM	DESCRIPTION	Part number	QTY
1	Service parts for 9mm 1/4 turn screw (includes P2 to P6)	715004218	
	1/4 Turn Screw (9 mm)	(Included in kit)	4
	25mm Steel washer	(Included in kit)	4
	M6 Plastic flat washer	(Included in kit)	4
	Nylon Retaining ring	(Included in kit)	4
	Urethane 1/4 turn washer	(Included in kit)	4

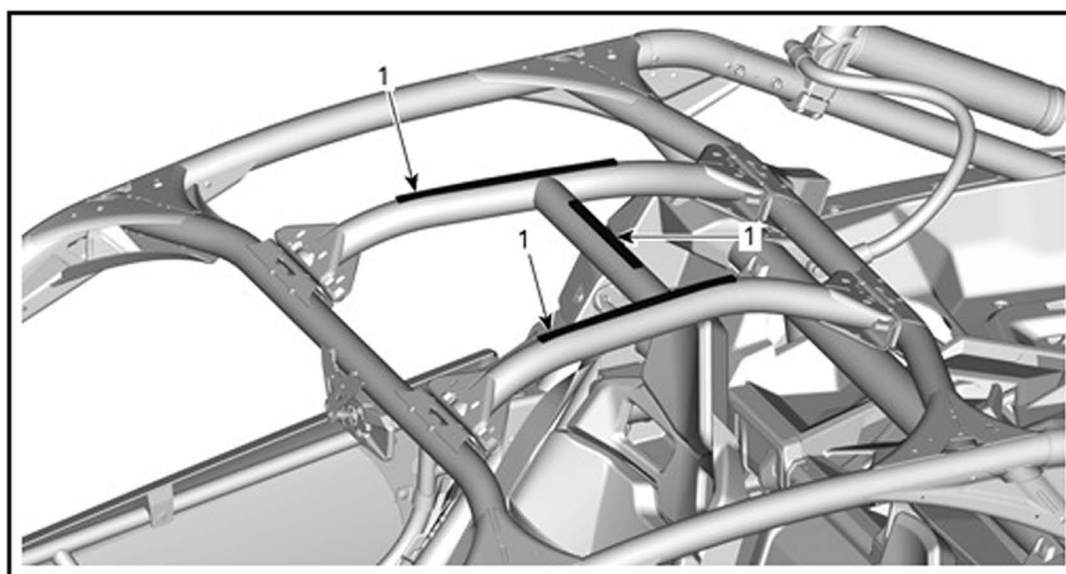
PROCEDURE

Vehicle Preparation

Cut two (2) sections of small neoprene seal [P7] of 300 mm (11-7/8 in) in length.

Cut one (1) section of small neoprene seal [P7] of 200 mm (7-7/8 in) in length.

Install sections onto cage as depicted below.



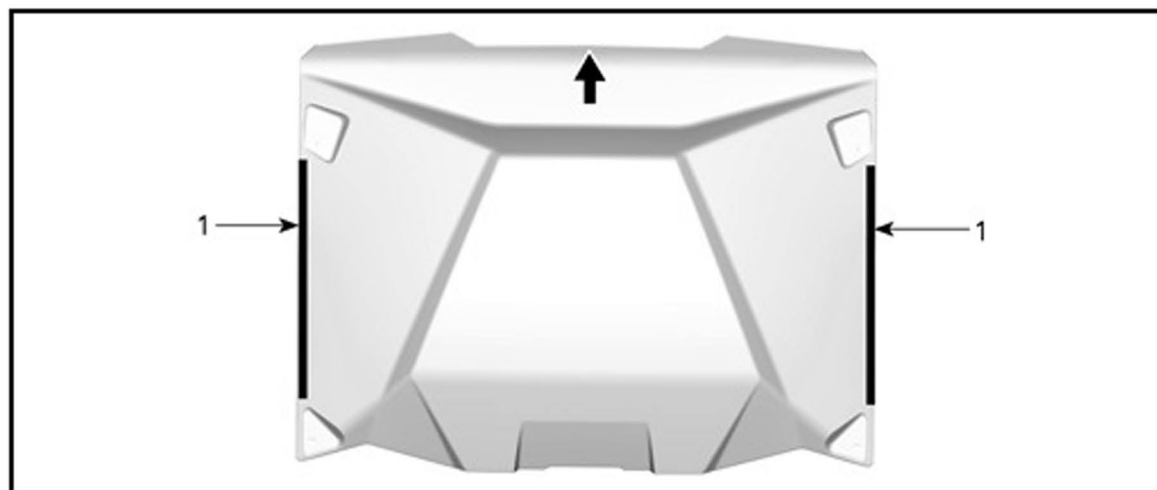
1. Seal location

C321

Roof Preparation

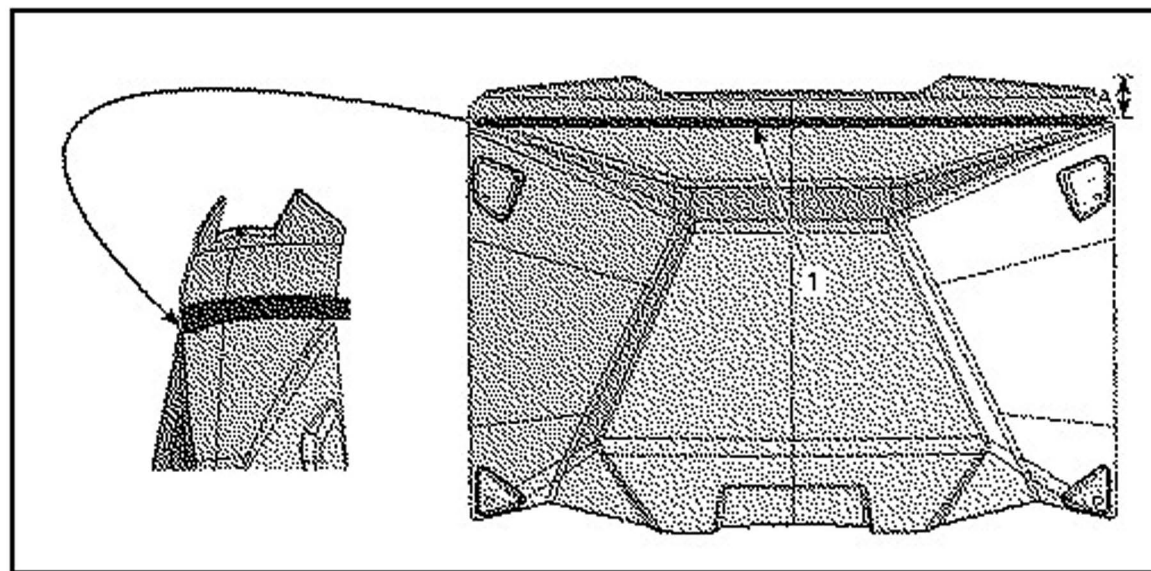
Cut two (2) sections of small neoprene seal [P7] of 525 mm (20-11/16 in) in length. Install sections underneath roof as depicted below.

NOTE: The arrow point toward the front of the vehicle



1. Seal location

Install the large neoprene seal [P8] of 1 300 mm (51.181 in) in length underneath front section of roof as depicted below.



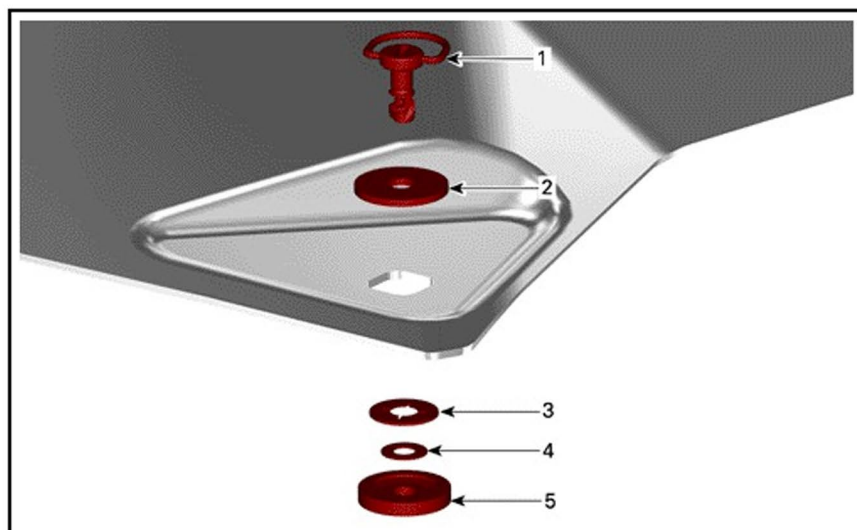
$A = 56.795 \text{ mm (2-1/4 in)}$

1. Seal location

NOTE: Use the seal when installing a windshield or a visor.

C321

Install 1/4 turn screw onto roof [P1] as depicted below.

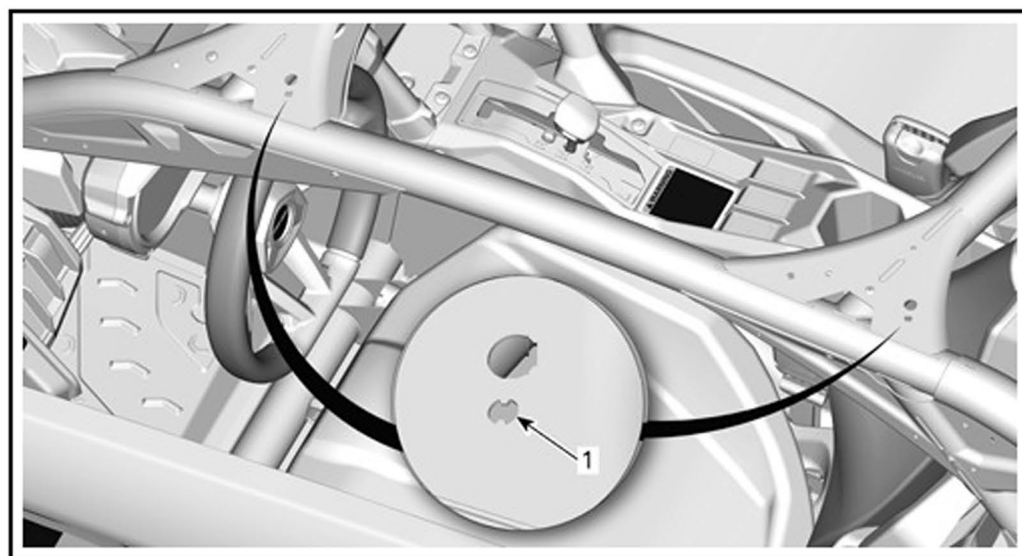


- 1. 1/4 turn screw (9mm) [P2]
- 2. 25mm Steel washer [P3]
- 3. M6 Plastic flat washer [P4]

- 4. Nylon retaining ring [P5]
- 5. Urethane 1/4 turn washer [P6]

Installation

Locate all 4 holes for 1/4 turn screws onto cage.



- 1. Hole for 1/4 turn

Install roof onto vehicle and secure in place by turning 1/4 turn screws.