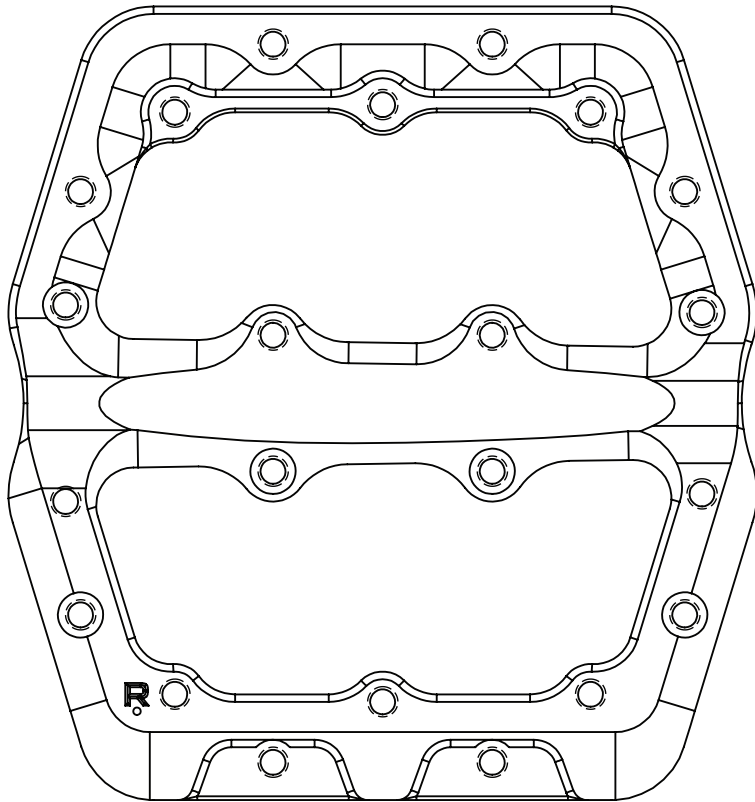


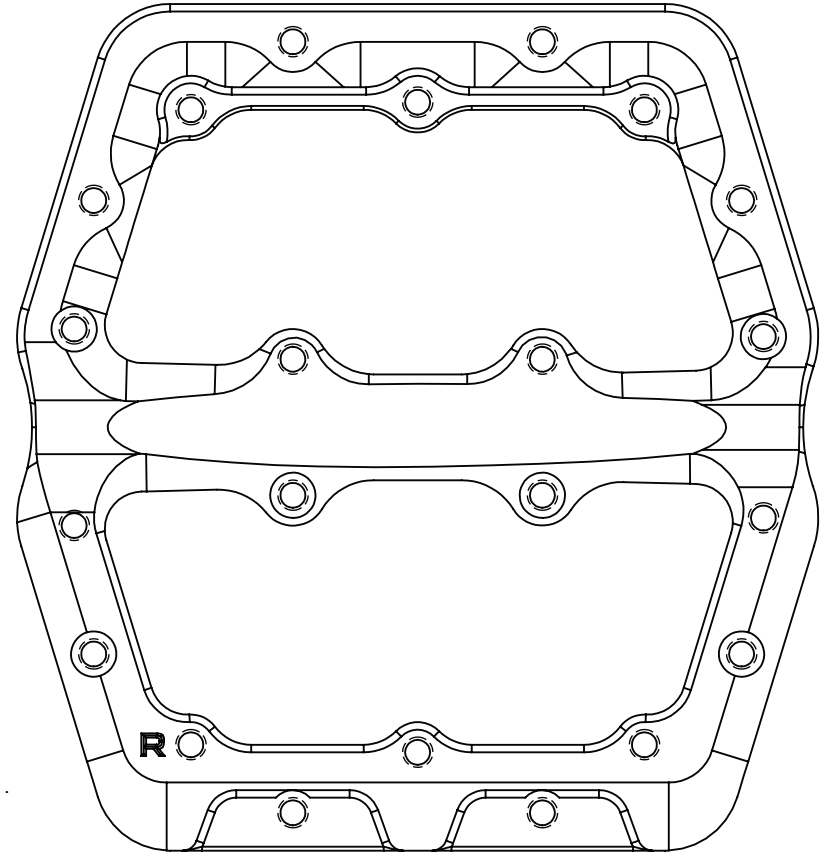


WAVEFORM PEDAL SIZES

This guide needs to be printed at 100% to ensure proper sizing. After printing this guide use your ruler and the ruler at the bottom to verify scale.



SMALL



LARGE



You must verify that your printout is 100% scale before measuring

Place your ruler next to the scale after printing

VERIFY SCALE



Explore more product solutions at:
wolftoothcomponents.com

Follow us on:

