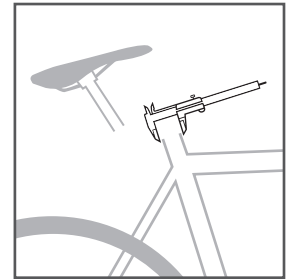




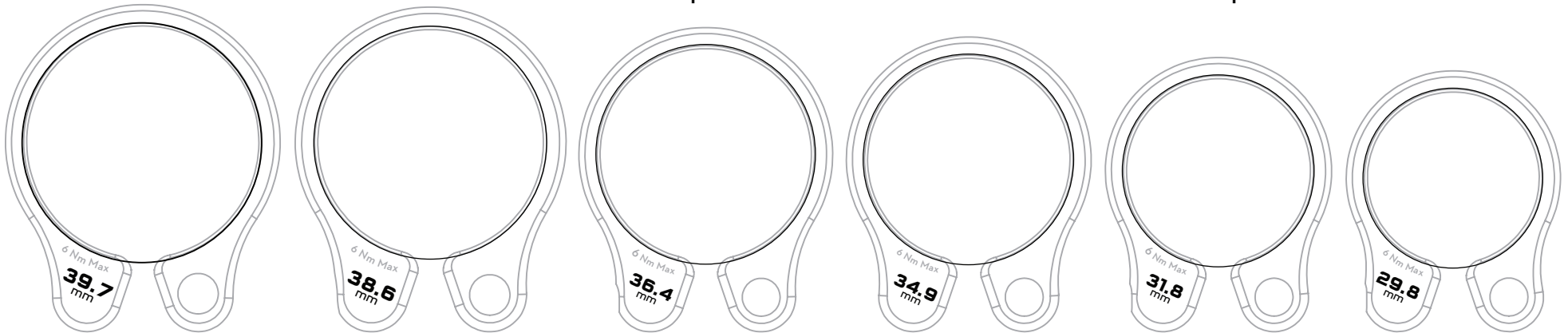
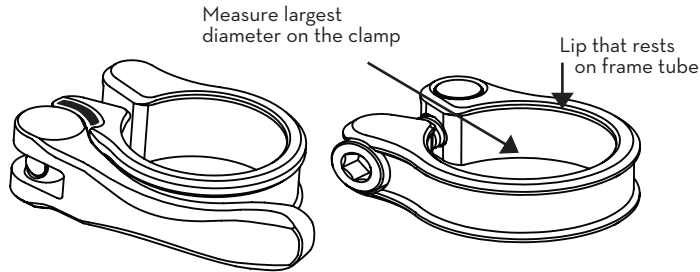
SEATPOST CLAMP MEASUREMENT GUIDE

This guide needs to be printed at 100% to ensure proper sizing. After printing this guide use your ruler and the ruler at the bottom to verify scale.



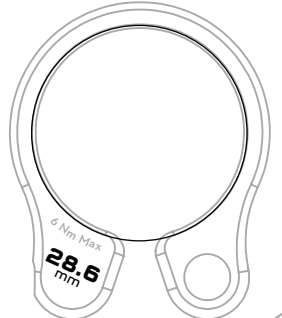
The seatpost clamp should match the diameter of the seat tube on your frame and not the diameter of the seatpost. **The best place to find the correct seat post clamp size for your bike is on the manufacturer website.** If information can not be found you can find the correct diameter by using a caliper on the frame. You could also print this guide at 100% scale and place your existing seatpost clamp over the circles below or cut out the ribbon and wrap it around your frame.

NOTE: The lip of your clamp should be on top so you are comparing the largest diameter of the clamp with the circles below. Make sure there is no tension on the clamp bolt.



! You must verify that your printout is 100% scale before measuring
Place your ruler next to the scale after printing

Cut out and wrap paper ribbon around frame seat tube to find the diameter.



Explore more product solutions at:
wolftoothcomponents.com

