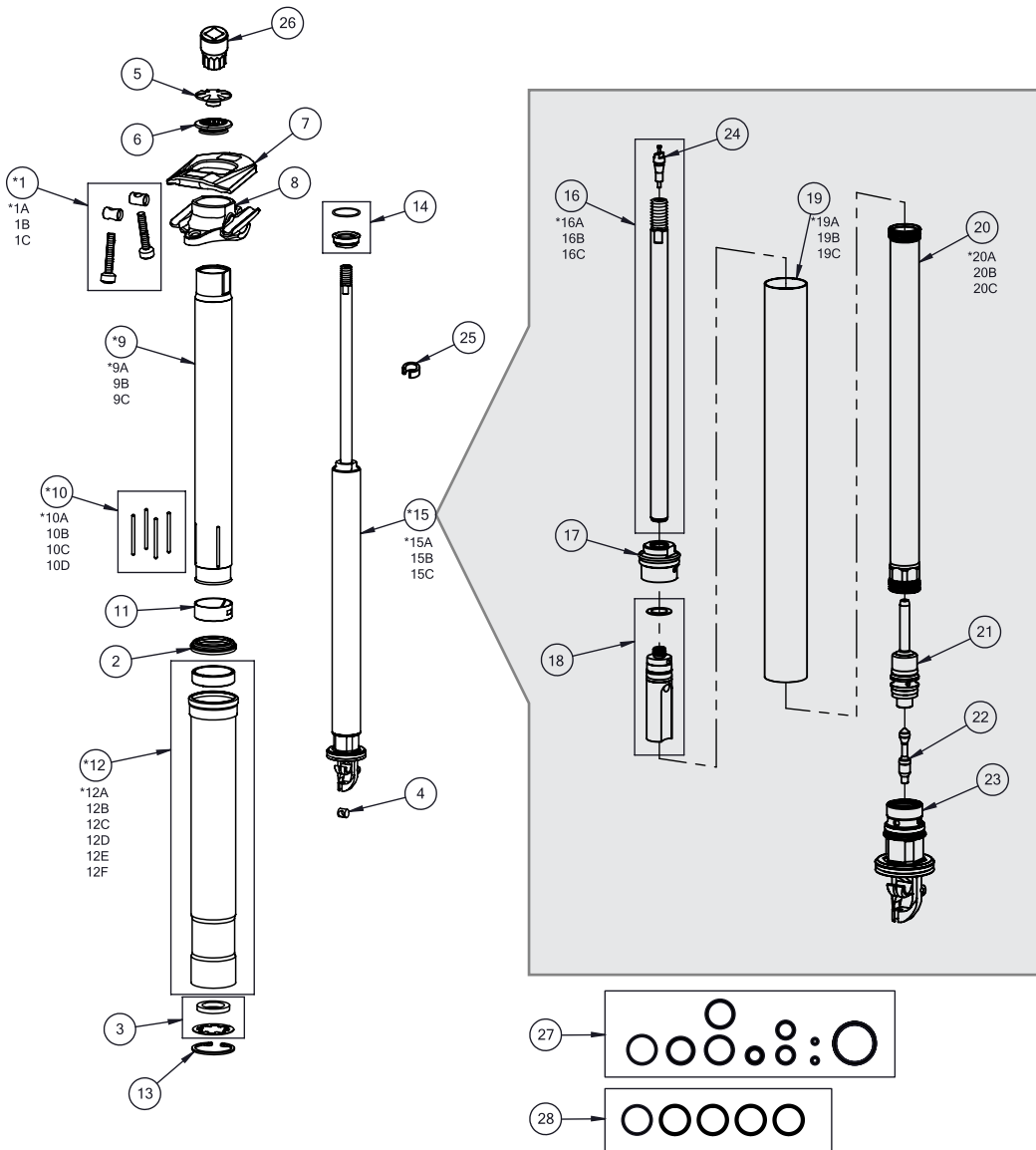




RESOLVE DROPPER POST REPLACEMENT PARTS GUIDE



1	BOLT/BARREL NUT SET
	1A Stainless Steel
	1B Titanium Black
	1C Titanium Gold
	1D Titanium Rainbow
2	WIPER SEAL
3	AIR FILTER AND FILTER RETAINER
4	CABLE BARREL
5	AIR CAP
6	TOP LOCKRING
7	UPPER CRADLE
8	LOWER CRADLE ASSEMBLY
9	STANCHION
	9A 125 mm travel
	9B 160 mm travel
	9C 200 mm travel
10	ANTI-ROTATIONAL PINS
	10A 1.96 mm Ø
	10B 1.98 mm Ø
	10C 2.00 mm Ø
	10D 2.02 mm Ø
11	SPLIT BUSHING
12	LOWER TUBE AND BUSHING
	12A 125 mm travel - 30.9 mm Ø
	12B 125 mm travel - 31.6 mm Ø
	12C 160 mm travel - 30.9 mm Ø
	12D 160 mm travel - 31.6 mm Ø
	12E 200 mm travel - 30.9 mm Ø
	12F 200 mm travel - 31.6 mm Ø
13	LOWER SNAP RING
14	ROD END CAP WITH O-RINGS
15	CARTRIDGE ASSEMBLY
	15A 125 mm travel
	15B 160 mm travel
	15C 200 mm travel
16	PISTON ROD WITH VALVE CORE
	16A 125 mm travel
	16B 160 mm travel
	16C 200 mm travel
17	UPPER CYLINDER CAP ASSEMBLY
18	PISTON ASSEMBLY WITH TOPOUT RING
19	RESERVOIR TUBE
	19A 125 mm travel
	19B 160 mm travel
	19C 200 mm travel
20	CYLINDER TUBE
	20A 125 mm travel
	20B 160 mm travel
	20C 200 mm travel
21	VALVE BODY ASSEMBLY
22	POPPET VALVE ASSEMBLY
23	LOWER CAP/ACTUATOR ASSEMBLY
24	SCHRADER VALVE CORE
25	TRAVEL ADJUST SPACER - SET OF 10
26	XZN-16 SOCKET TOOL
27	O-RING KIT (SEE O-RING GUIDE)
28	TOP CAP O-RING SET (1.5X16.5)