

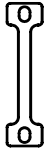
B-RAD

DogBone Base Instructions



WOLF TOOTH | 3100 W PARK DR, BURNSVILLE, MN 55306 | www.wolftoothcomponents.com | 20180327 | B-RAD-DOG

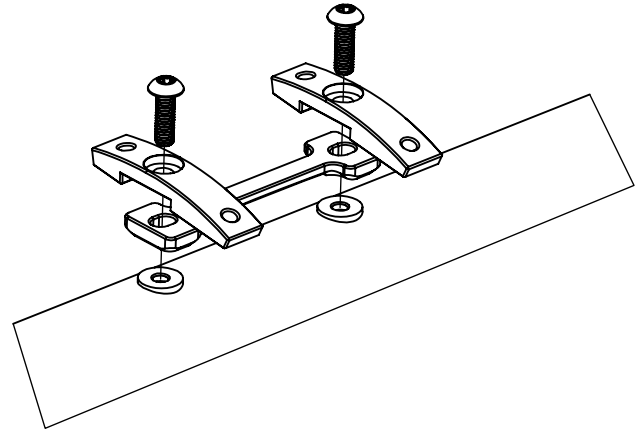
PARTS INCLUDED:



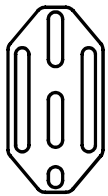
BASE (DogBone)
2 through holes

STEP 1. Select appropriate B-RAD accessories to fit your frame and desired B-RAD configuration.

STEP 2. Attach slotted base to frame using long screws extended through B-RAD Accessory.



B-RAD ACCESSORIES (sold separately)



**BOTTLE CAGES
BOTTLE ADAPTERS
BAGS
STRAP ADAPTERS**

STEP 3. Mount bottle cage and accessories to the DogBone base using "short" screws.

STEP 4. Tighten frame screws to manufacturers recommended torque (See notes). Check clearances with bottle cage and accessories installed before riding.

TOOLS:

Hex wrenches
T25 Torx Key

COMPATIBILITY:

Bottle cages and B-RAD accessories.
Frames and forks with at least 2 standard 64mm spaced bottle cage braze-ons.

NOTES:

Torque short screws to 3-4 Nm and use light grease.
Use frame manufacturer torque specs to attach base to frame using "long" screws.

