

B-RAD *Bottle Relocation and Accessory Device*



4-Slot Base Instructions

WOLF TOOTH | 3100 W PARK DR, BURNSVILLE, MN 55306 | www.wolftoothcomponents.com | 20180327 | B-RAD-4

PARTS INCLUDED:



BASE (4-Slot)

4 slotted holes and 9 M5 threaded holes



M5X16 FASTENER (QTY. 4)

"Long" screws



M5X7.5 FASTENER (QTY. 6)

"Short" screws



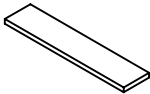
M5 NYLON WASHER (QTY. 2)

"Shims" provide clearance between frame and slotted base. (not required)



ZIP TIE (QTY. 2)

14" length "low profile" design



PROTECTIVE PAD (QTY. 1)

Closed cell neoprene foam pad 3.5" length



T25 L-WRENCH (QTY. 1)

Included with all B-RAD bases

B-RAD ACCESSORIES

(sold separately)



BOTTLE CAGES
BOTTLE ADAPTERS
BAGS
STRAP ADAPTERS

TOOLS:

Hex wrenches
T25 Torx key

COMPATIBILITY:

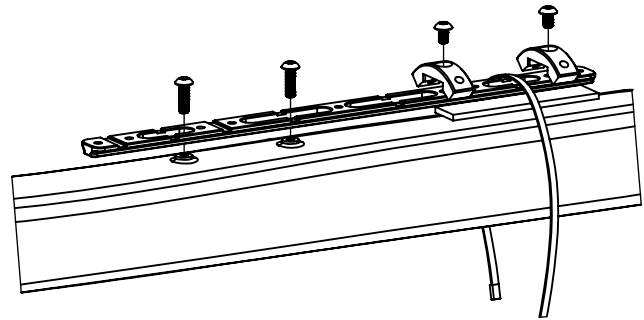
Bottle cages and B-RAD accessories.
Frames and forks with at least 2 standard 64mm spaced bottle cage braze-ons.

NOTES:

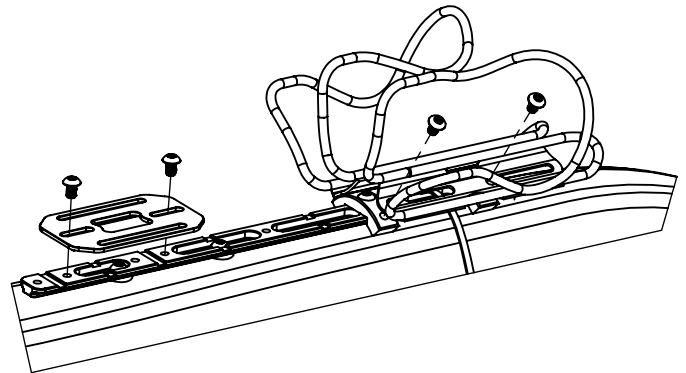
Torque short screws to 3-4 Nm and use light grease.
Use frame manufacturer torque specs to attach slotted base to frame using "long" screws.

STEP 1. Select appropriate B-RAD accessories to fit your frame and desired B-RAD configuration. Attach adhesive backed foam pad to the 4-slot base at the end not supported by the frames threaded holes.

STEP 2. Attach slotted base to frame using long screws extended through the base slotted holes.



STEP 3. Mount accessories and bottle cages to the 4-slot base using "short" screws. Use low profile zip tie and zip tie channels for additional stability at unsupported end of base.



STEP 4. Tighten frame screws to manufacturers recommended torque (See notes). Check clearances with bottle cage and accessories installed before riding.

