

# B-RAD *Bottle Relocation and Accessory Device*



## 3-Slot Base Instructions

WOLF TOOTH | 3100 W PARK DR, BURNSVILLE, MN 55306 | www.wolftoothcomponents.com | 20180327 | B-RAD-3

### PARTS INCLUDED:



#### BASE (3-Slot)

3 slotted holes and 4 M5 threaded holes



#### M5X16 FASTENER (QTY. 3)

"Long" screws



#### M5X7.5 FASTENER (QTY. 4)

"Short" screws



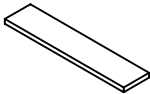
#### M5 NYLON WASHER (QTY. 2)

Optional "shims" provide clearance between frame and slotted base



#### ZIP TIE (QTY. 1)

14" length "low profile" design



#### PROTECTIVE PAD (QTY. 1)

Closed cell neoprene foam pad 2.5" length

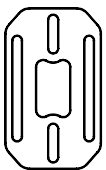


#### T25 L-WRENCH (QTY. 1)

Included with all B-RAD bases

### B-RAD ACCESSORIES

(sold separately)



**BOTTLE CAGES**  
**BOTTLE ADAPTERS**  
**BAGS**  
**STRAP ADAPTERS**

### TOOLS:

Hex wrenches  
T25 Torx key  
Side cutter

### COMPATIBILITY:

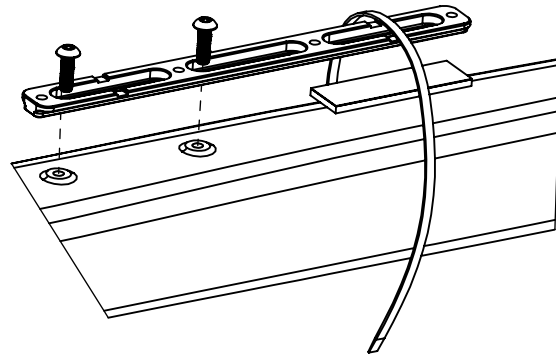
Bottle cages and B-RAD accessories.  
Frames and forks with at least 2 standard 64mm spaced bottle cage braze-ons.

### NOTES:

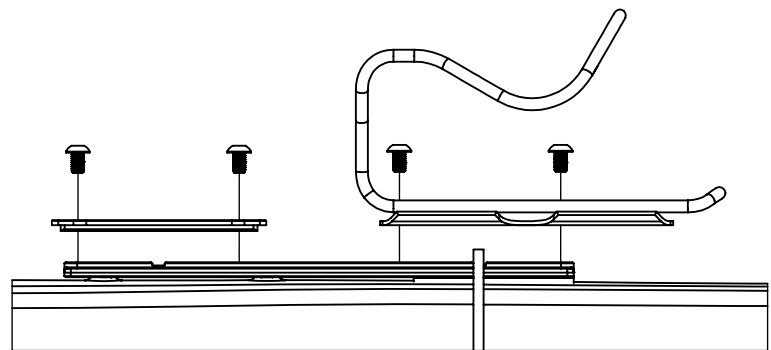
Torque short screws to 3-4 Nm and use light grease.  
Use frame manufacturer torque specs to attach slotted base to frame using "long" screws.

**STEP 1.** Select appropriate B-RAD accessories to fit your frame and desired B-RAD configuration. Attach adhesive backed foam pad to the 3-slot base at the end not supported by the frames threaded holes.

**STEP 2.** Attach slotted base to frame using long screws extended through the base slotted holes.



**STEP 3.** Mount accessories and bottle cages to the 3-slot base using "short" screws. Use low profile zip tie and zip tie channels for additional stability at unsupported end of base.



**STEP 4.** Tighten frame screws to manufacturers recommended torque (See notes). Check clearances with bottle cage and accessories installed before riding.

